



Installation instructions, accessories

Volvo Car Corporation Gothenburg, Sweden

| Instruction No | Version | Part. No. |
|----------------|---------|--------------------|
| 31316437 | 1.0 | 31402730, 31352951 |

Mirror, rearview



IMG-338611



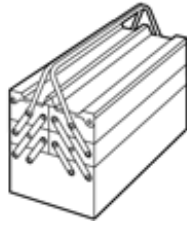
Installation instructions, accessories

Volvo Car Corporation Gothenburg, Sweden

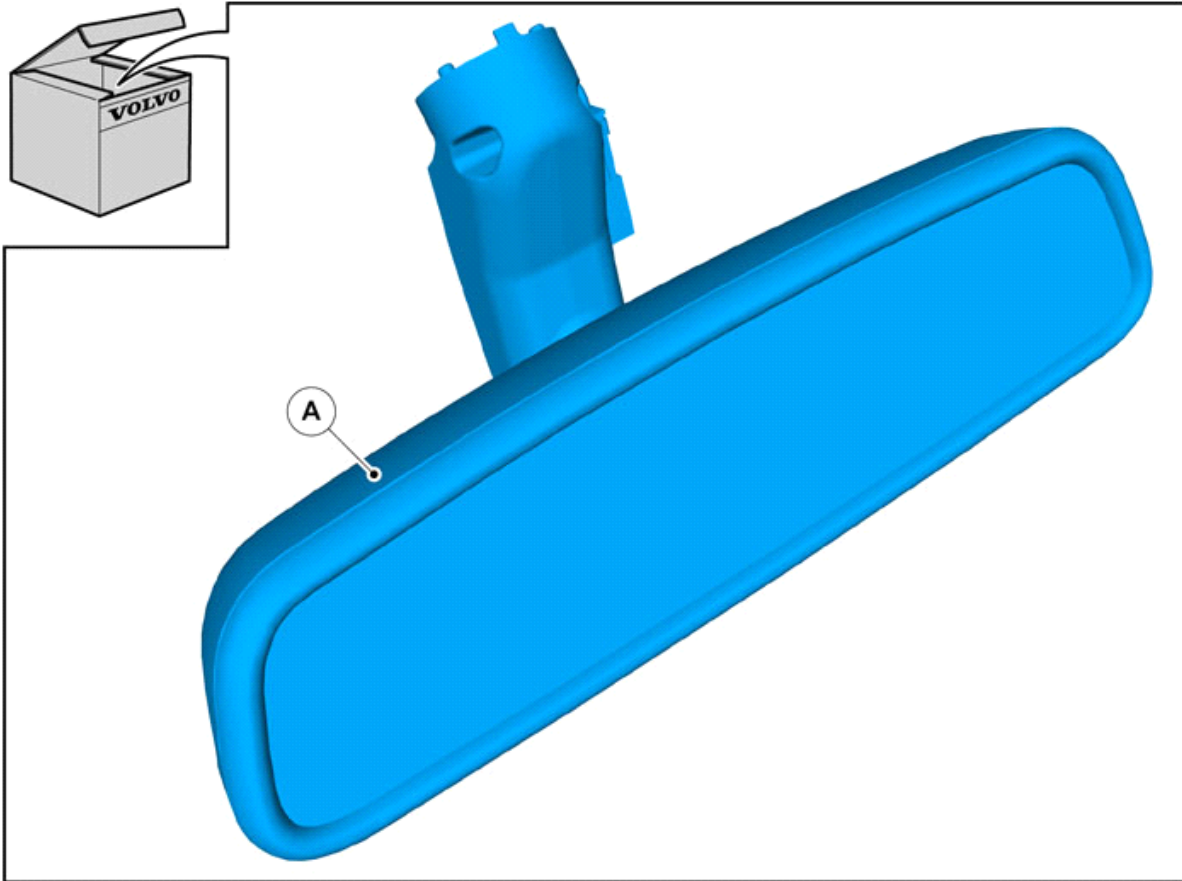
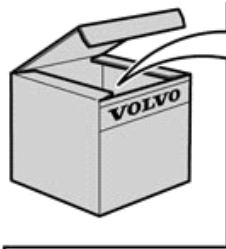
Equipment

VIDA

IMG-242205



IMG-345497



IMG-338612



Installation instructions, accessories

Volvo Car Corporation Gothenburg, Sweden

Information

1

Read through all of the instructions before starting installation.

Notifications and warning texts are for your safety and to minimise the risk of something breaking during installation.

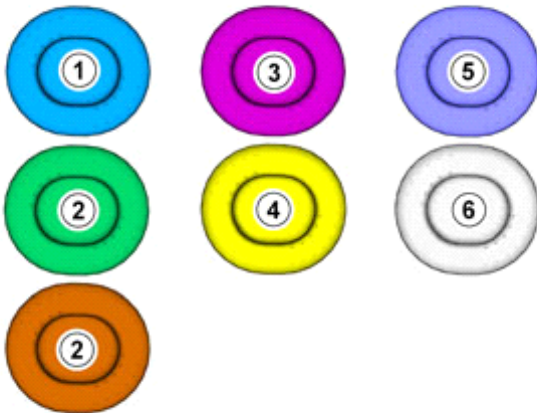
Ensure that all tools stated in the instructions are available before starting installation.

Certain steps in the instructions are only presented in the form of images. Explanatory text is also given for more complicated steps.

In the event of any problems with the instructions or the accessory, contact your local Volvo dealer.

Color symbols

2



IMG-363036

Note!

This colour chart displays (in colour print and electronic version) the importance of the different colours used in the images of the method steps.

- Used for focused component, the component with which you will do something.
- Used as extra colors when you need to show or differentiate additional parts.
- Used for attachments that are to be removed/installed. May be screws, clips, connectors, etc.
- Used when the component is not fully removed from the vehicle but only hung to the side.
- Used for standard tools and special tools.
- Used as background color for vehicle components.

Removal



Installation instructions, accessories

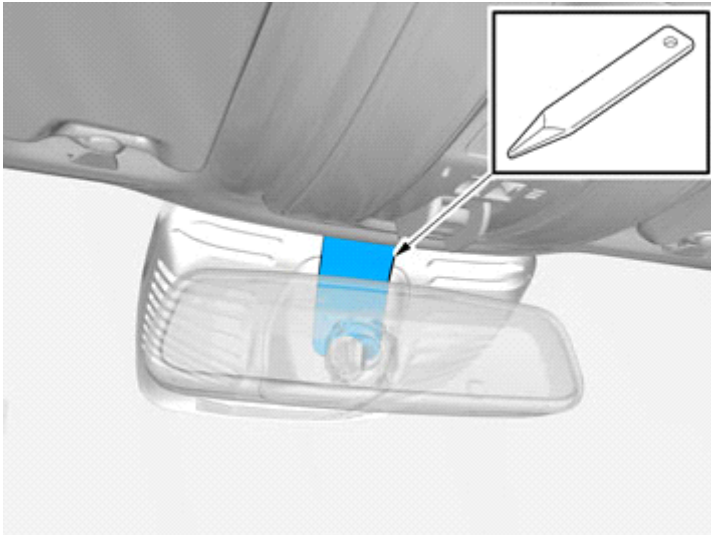
Volvo Car Corporation Gothenburg, Sweden

3



IMG-332193

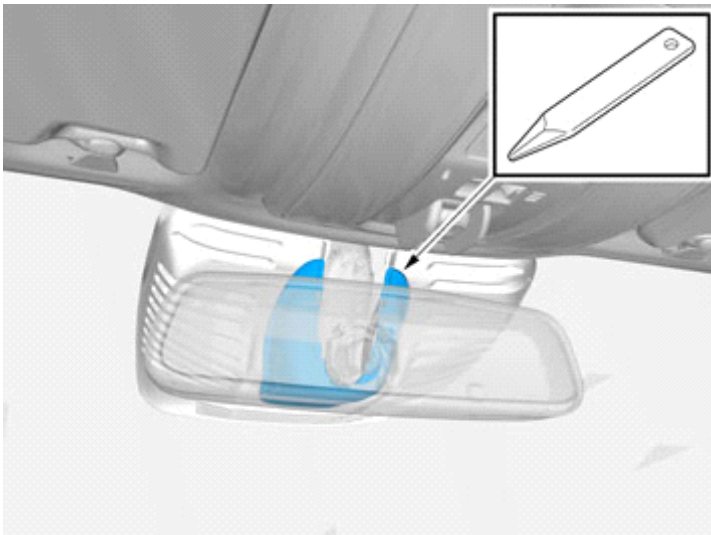
4



IMG-374827

Remove the panel.

5



IMG-374829

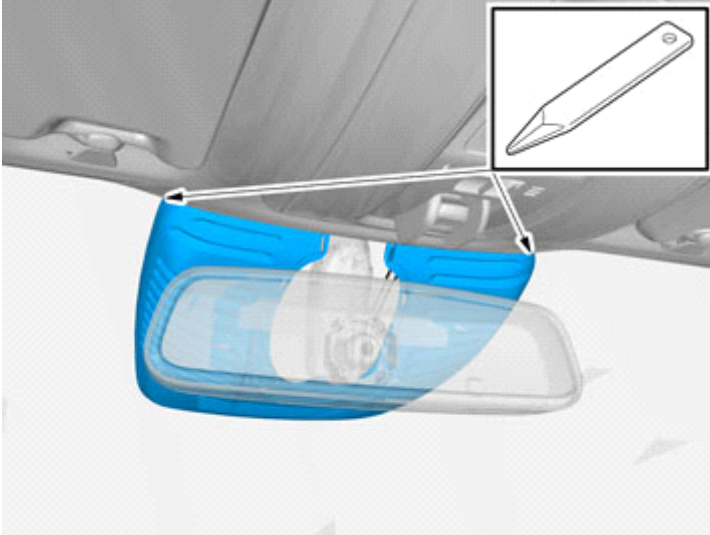
Remove the panel.



Installation instructions, accessories

Volvo Car Corporation Gothenburg, Sweden

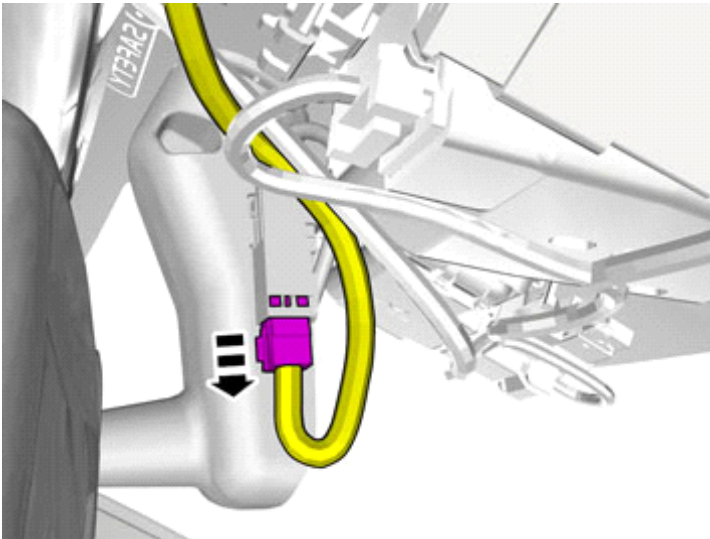
6



IMG-374831

Remove the panel.

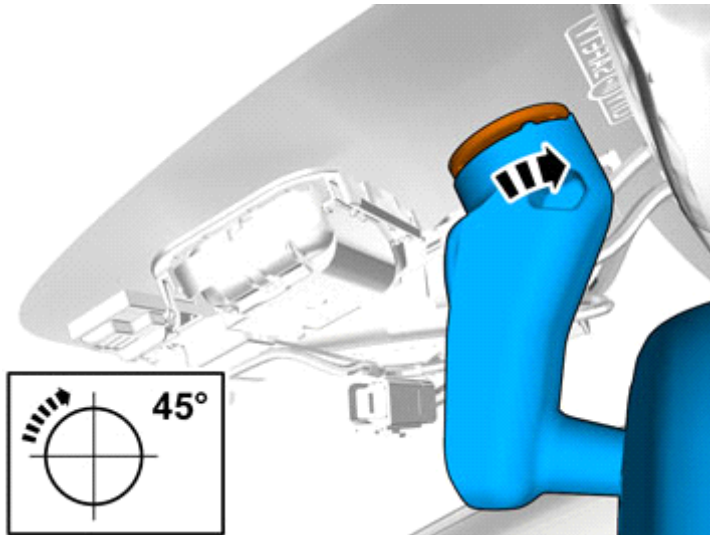
7



IMG-338615

Disconnect the connector, if applicable.

8



IMG-338616



Installation instructions, accessories

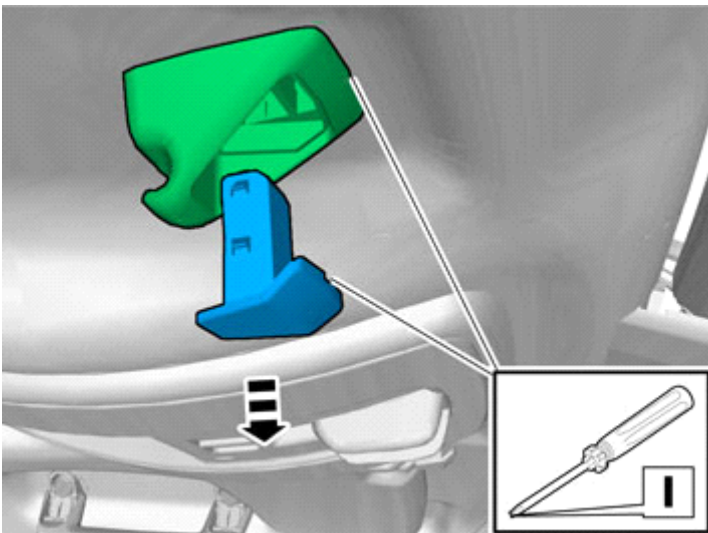
Volvo Car Corporation Gothenburg, Sweden

9



IMG-304689

10



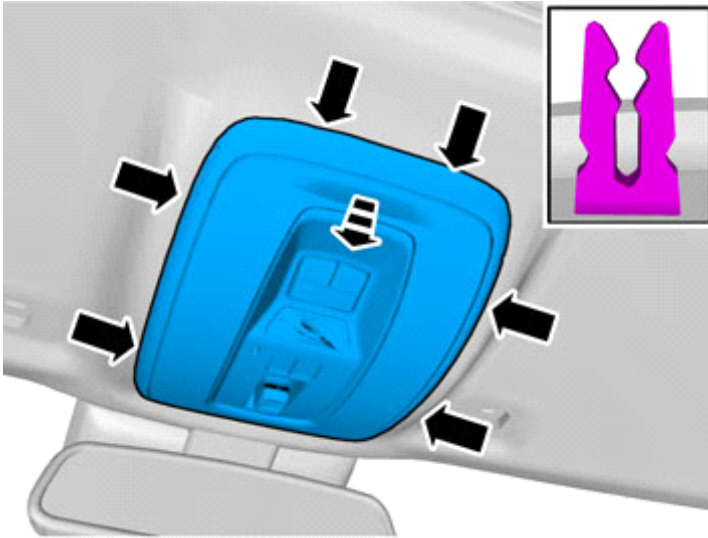
IMG-304690



Installation instructions, accessories

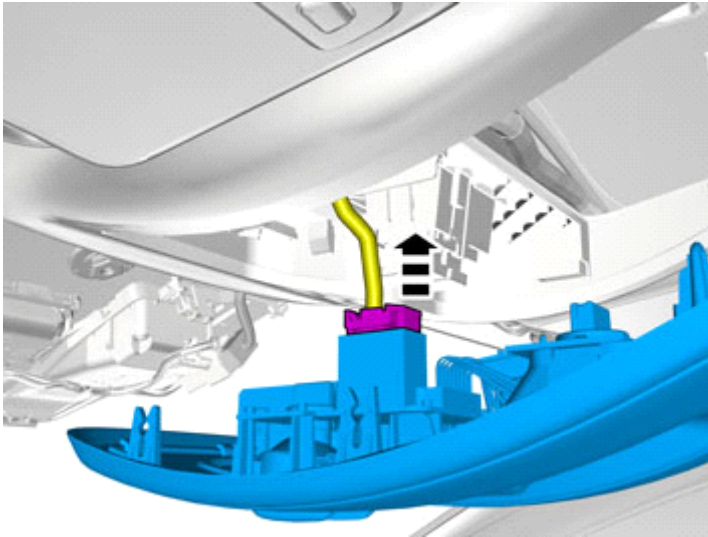
Volvo Car Corporation Gothenburg, Sweden

11



IMG-304691

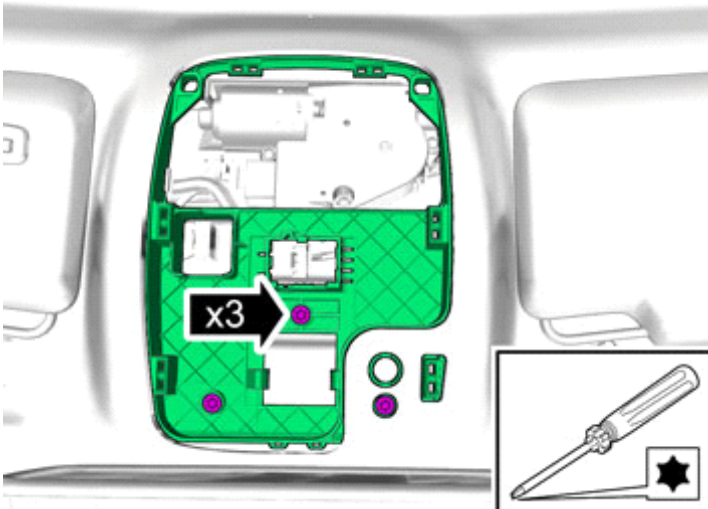
12



IMG-338621

Disconnect the connector.

13



IMG-341741

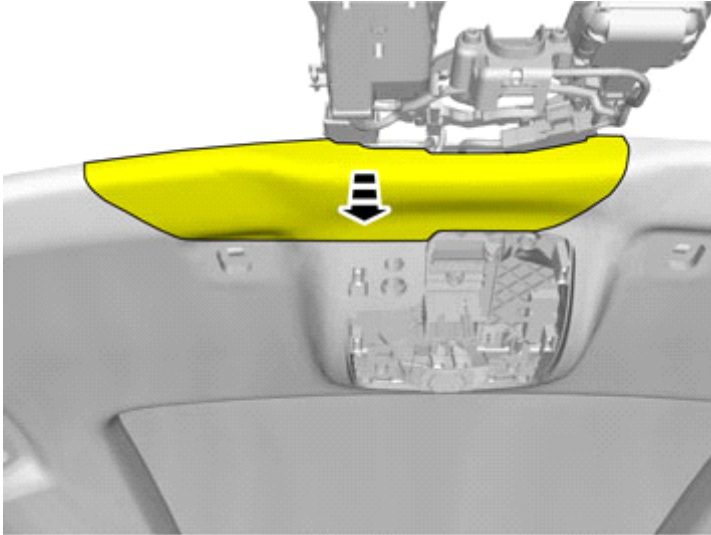
Remove the screws.



Installation instructions, accessories

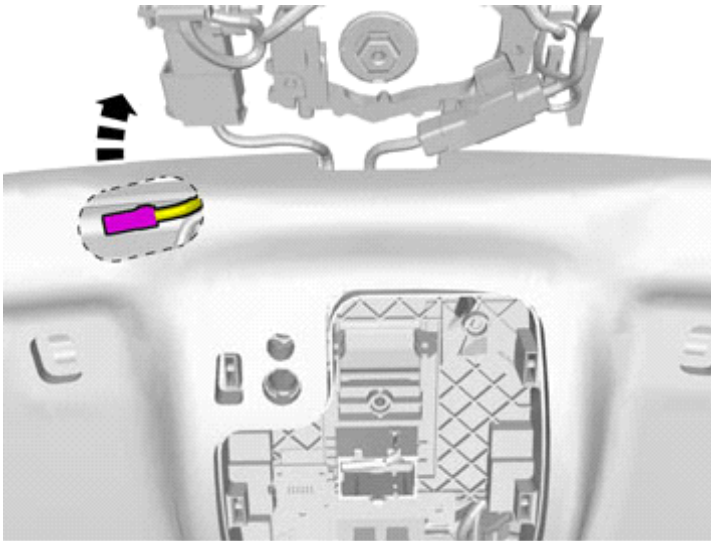
Volvo Car Corporation Gothenburg, Sweden

14



IMG-304693

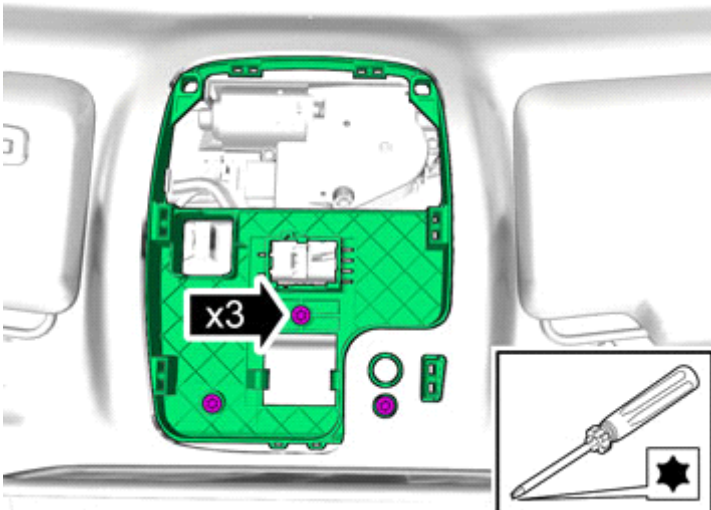
15



IMG-304694

Locate the existing connector in the vehicle's cable harness.

16



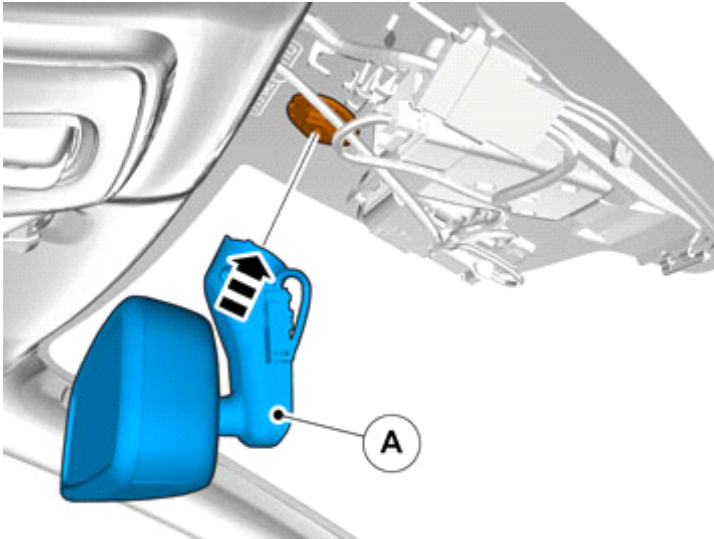
IMG-341741

Reinstall the screws.



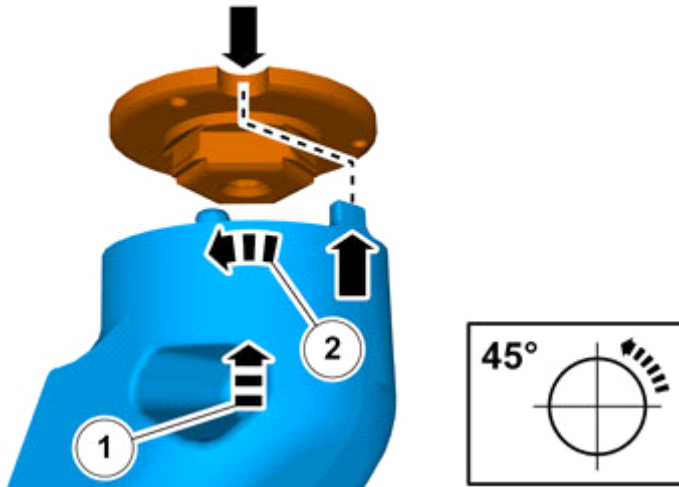
Accessory installation

17



IMG-338617

18



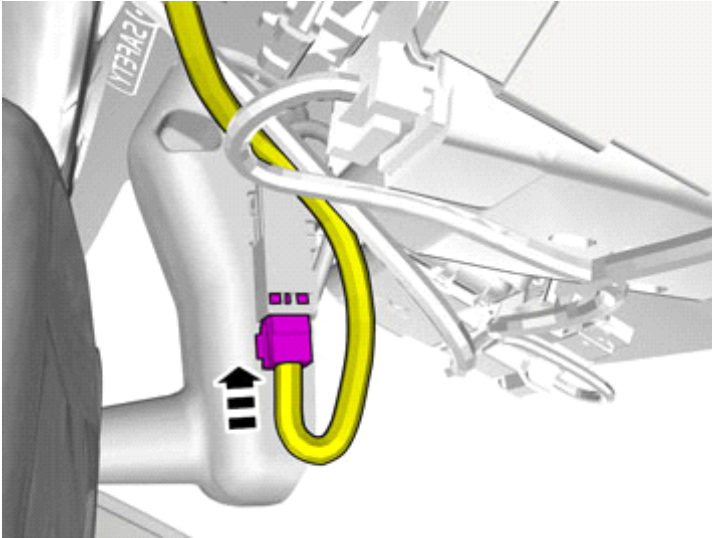
IMG-338619



Installation instructions, accessories

Volvo Car Corporation Gothenburg, Sweden

19



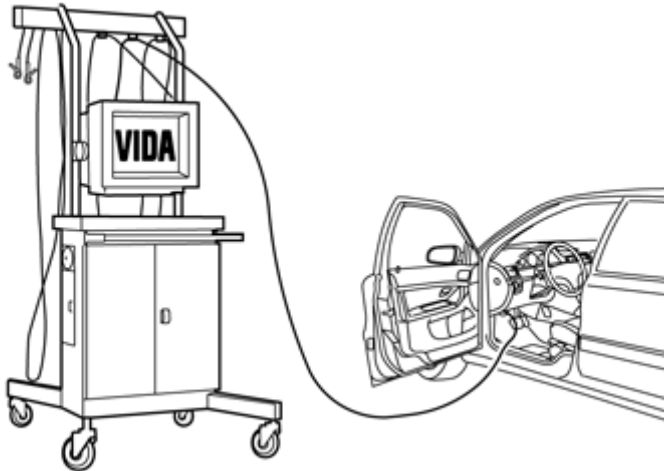
IMG-338620

Connect the connector.

20

Reinstall the removed parts in reverse order.

21



IMG-242268

Download software (application) for the accessory's function according to the service information in VIDA.

Order and download software according to: 31278413

Calibration

22

Information finns i VIDA under:

23

Repair/Cleaning, Inspection and Adjustment/8 Body and interior/88 Interior equipment/882 Interior equipment/Interior equipment/Compass Calibration