



Installation instructions, accessories

Volvo Car Corporation Gothenburg, Sweden

Instruction No	Version	Part. No.
31454810	1.3	31454540, 31454541

Polestar Performance Interior and Exterior



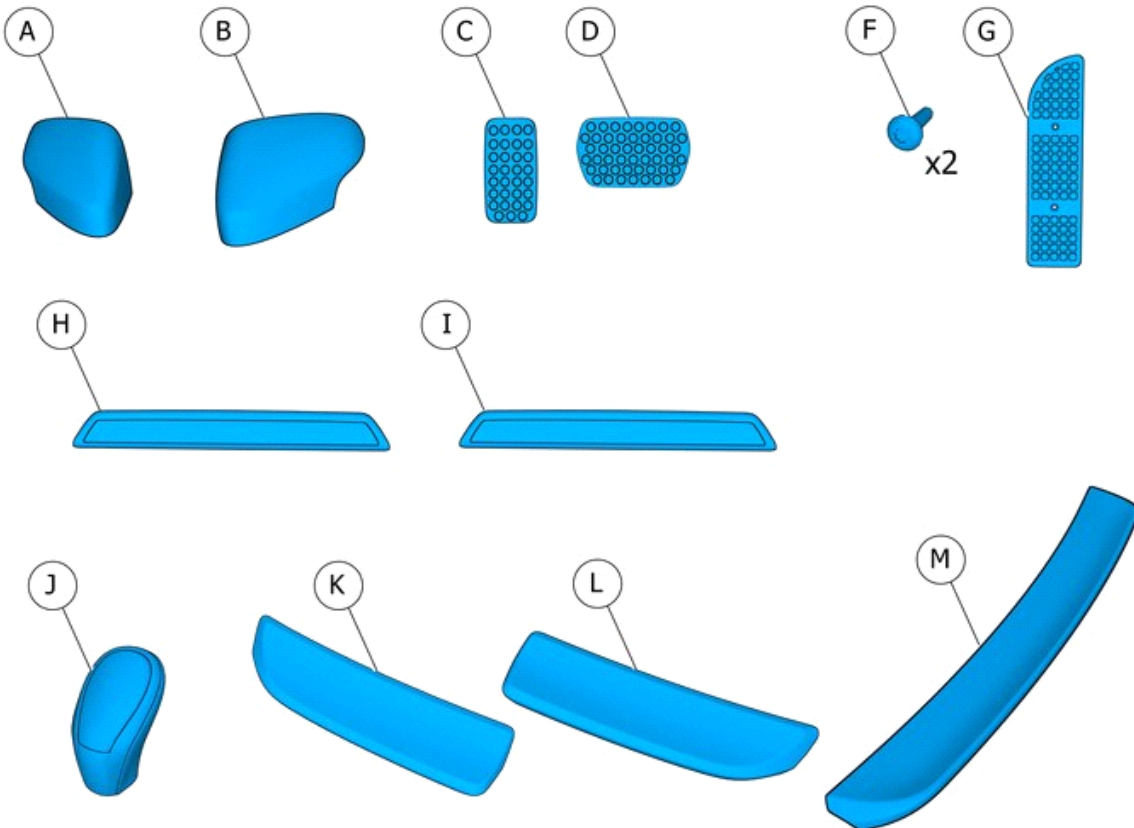
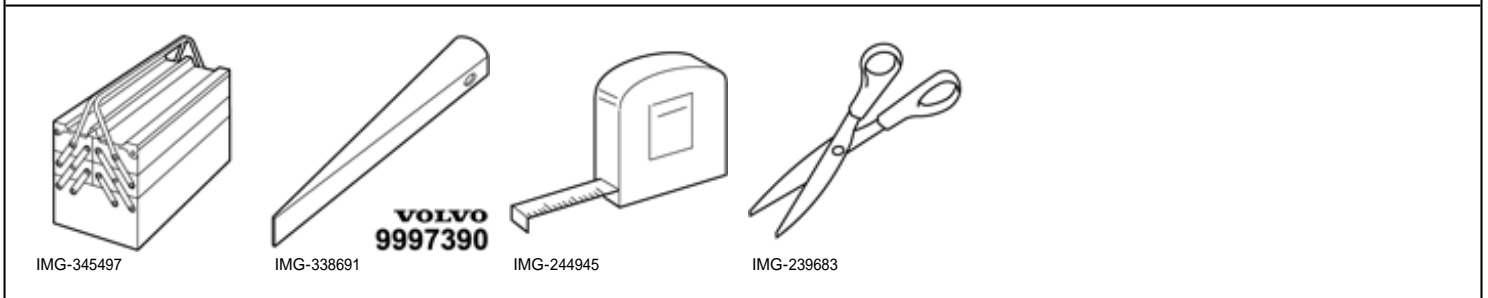
Installation instructions, accessories

Volvo Car Corporation Gothenburg, Sweden

Materials

Designation	Part number
Isopropanol	1161721
Masking tape	
Primer	1161727
Glue	8750060

Equipment

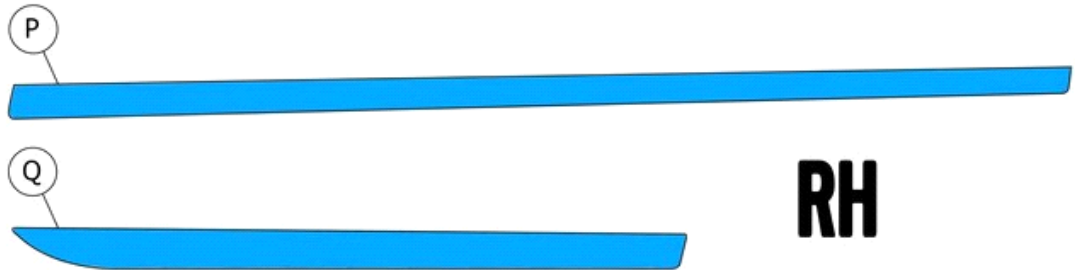
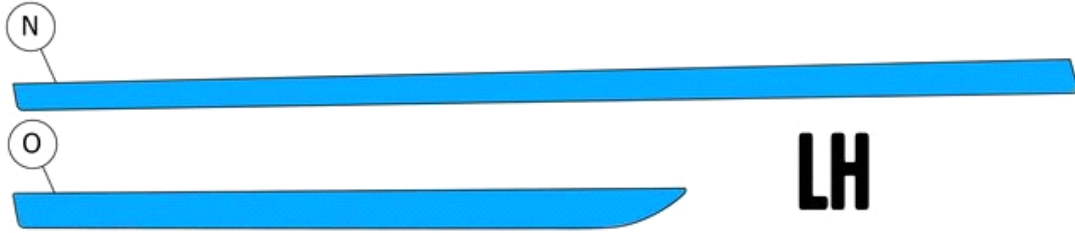


IMG-418620



Installation instructions, accessories

Volvo Car Corporation Gothenburg, Sweden



IMG-413662



Installation instructions, accessories

Volvo Car Corporation Gothenburg, Sweden

Information

1

Read through all of the instructions before starting installation.

Notifications and warning texts are for your safety and to minimise the risk of something breaking during installation.

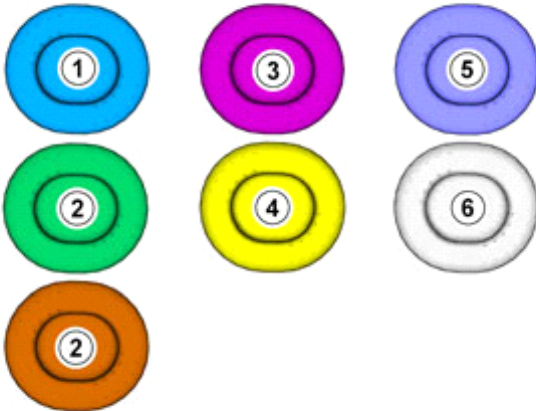
Ensure that all tools stated in the instructions are available before starting installation.

Certain steps in the instructions are only presented in the form of images. Explanatory text is also given for more complicated steps.

In the event of any problems with the instructions or the accessory, contact your local Volvo dealer.

Color symbols

2



IMG-363036

Note!

This colour chart displays (in colour print and electronic version) the importance of the different colours used in the images of the method steps.

- Used for focused component, the component with which you will do something.
- Used as extra colors when you need to show or differentiate additional parts.
- Used for attachments that are to be removed/installed. May be screws, clips, connectors, etc.
- Used when the component is not fully removed from the vehicle but only hung to the side.
- Used for standard tools and special tools.
- Used as background color for vehicle components.

Further information



Installation instructions, accessories

Volvo Car Corporation Gothenburg, Sweden

3



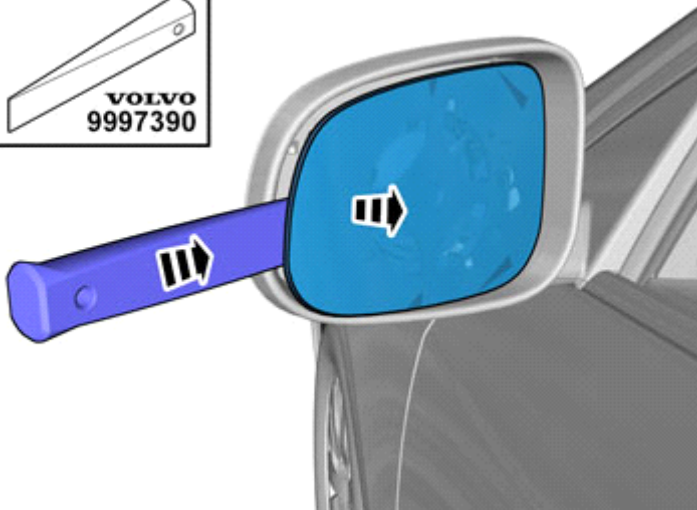
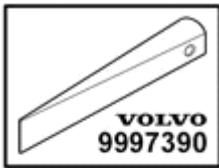
IMG-40007

When installing, the car must retain a temperature of 20 degrees C.

After installation, the car must not be washed for 48 hours

Removal

4



IMG-350367

Caution!

Observe caution, the glass breaks easily.

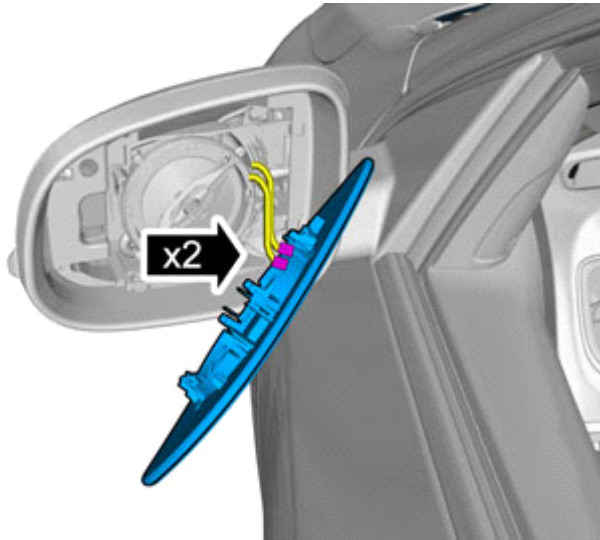
Remove the glass from the mirror.



Installation instructions, accessories

Volvo Car Corporation Gothenburg, Sweden

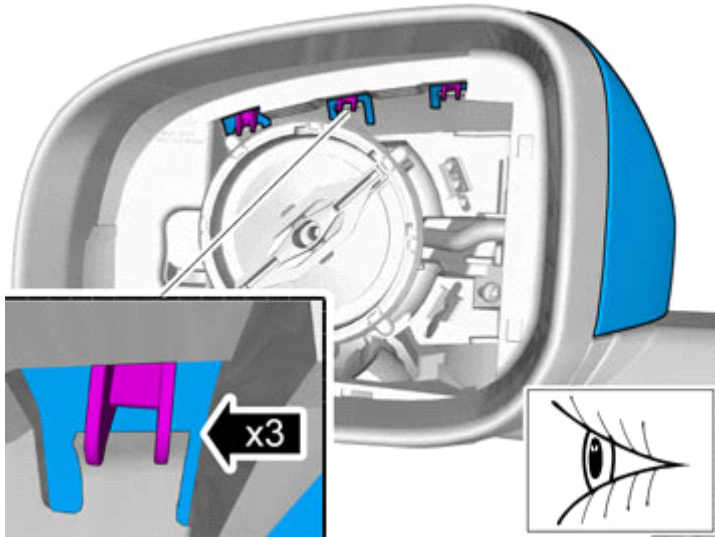
5



Disconnect the connectors.

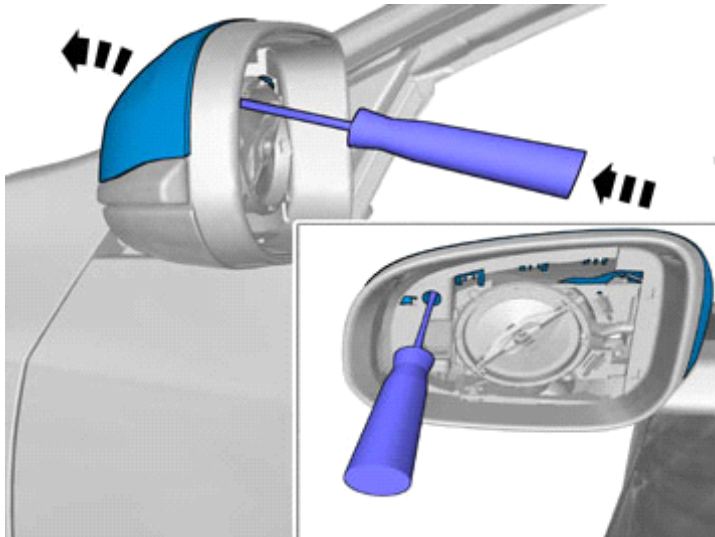
IMG-350369

6



IMG-350368

7



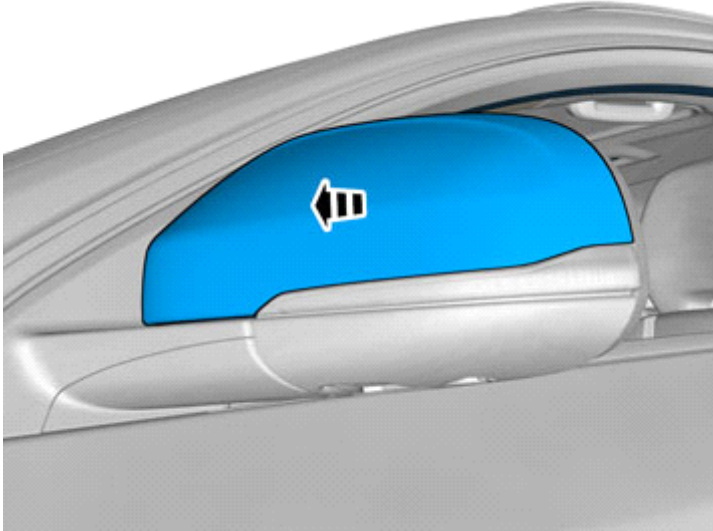
IMG-359036



Installation instructions, accessories

Volvo Car Corporation Gothenburg, Sweden

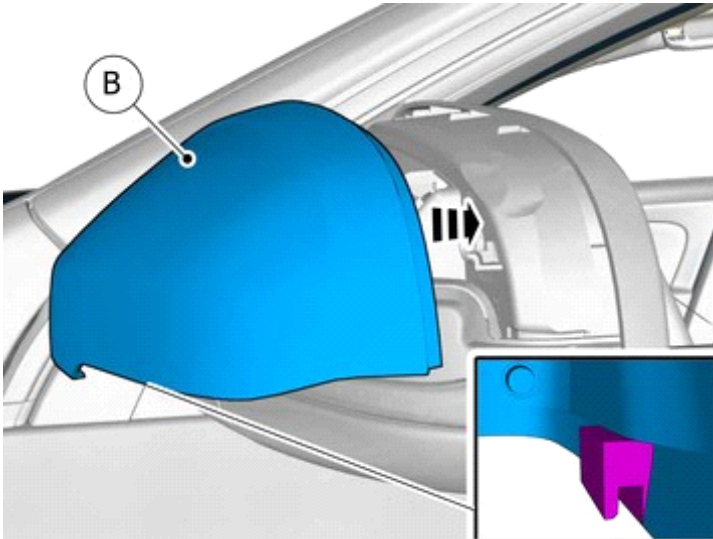
8



IMG-350370

Accessory installation

9



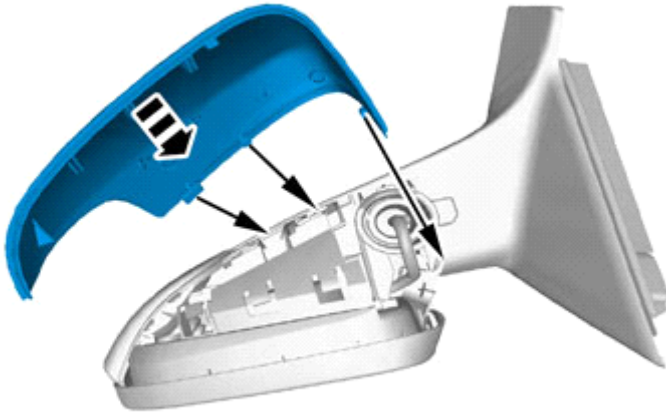
IMG-418627



Installation instructions, accessories

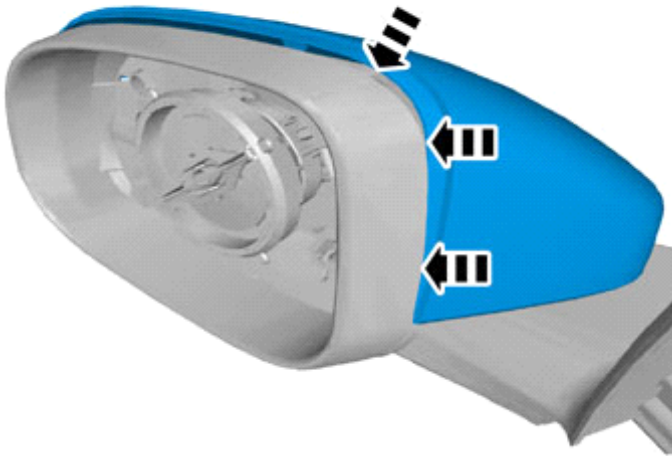
Volvo Car Corporation Gothenburg, Sweden

10



IMG-359046

11



IMG-359048

12



IMG-359047



Installation instructions, accessories

Volvo Car Corporation Gothenburg, Sweden

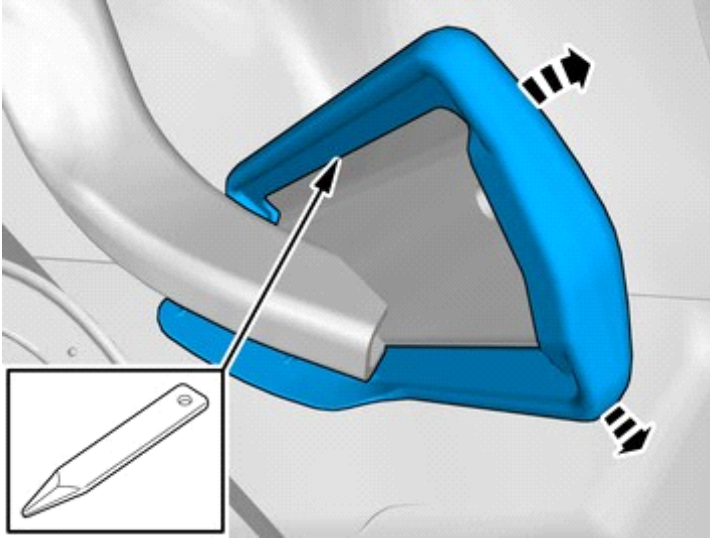
13

Reinstall the removed parts in reverse order.

Repeat all method steps for the other side.

Removal

14



IMG-416296

Remove the marked part.

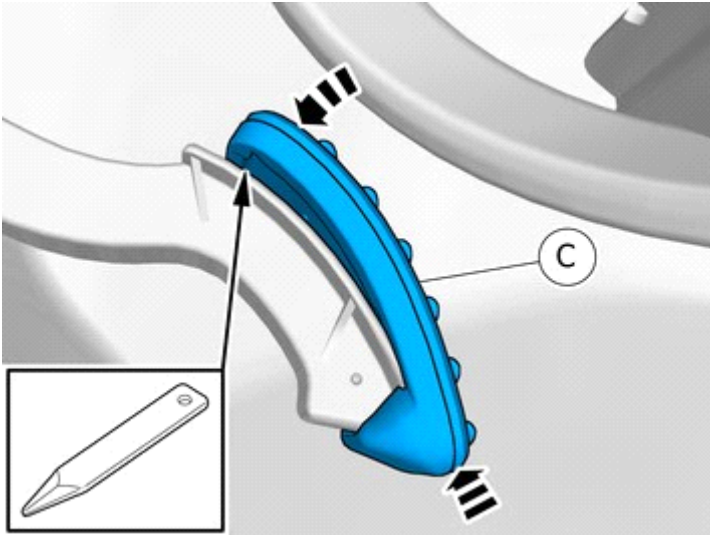
Use: Interior trim remover

15

When removing on right-hand drive cars, perform the procedures on the opposite side and/or mirrored.

Accessory installation

16



IMG-416245

Install component that comes with the accessory kit.

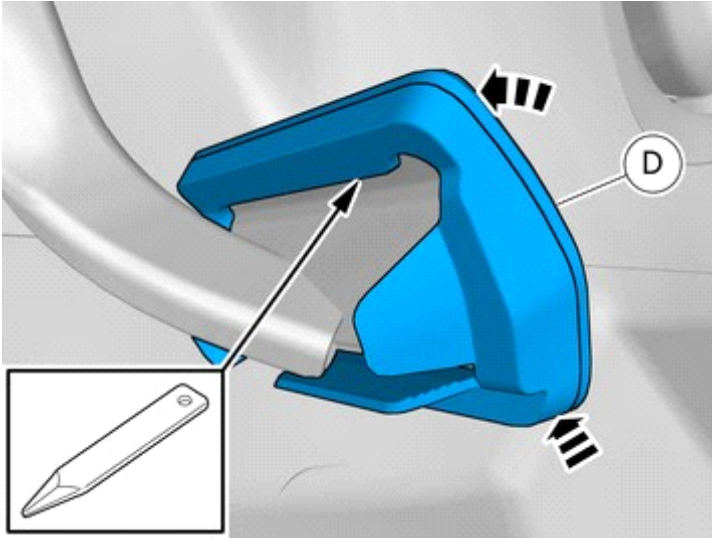
Use: Interior trim remover



Installation instructions, accessories

Volvo Car Corporation Gothenburg, Sweden

17

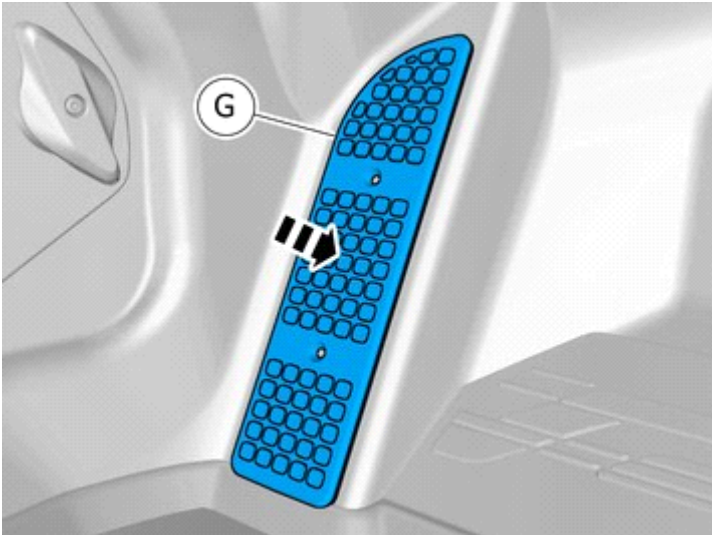


IMG-416295

Install component that comes with the accessory kit.

Use: Interior trim remover

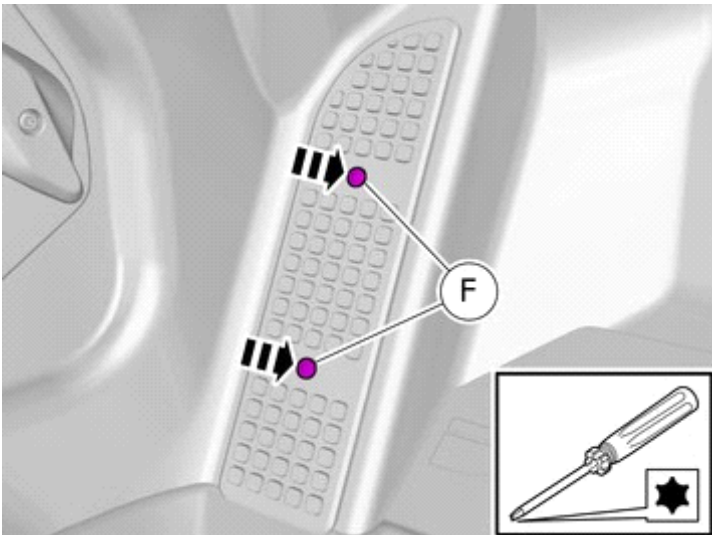
18



IMG-416251

Place the component where indicated in the graphic.

19



IMG-416252

Install the screws.



Installation instructions, accessories

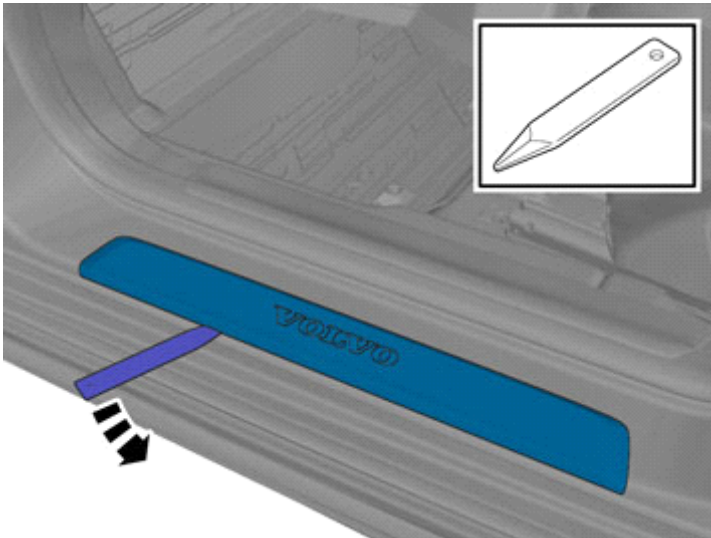
Volvo Car Corporation Gothenburg, Sweden

20

When installing on right-hand drive cars, perform the procedures on the opposite side and/or mirrored.

Removal

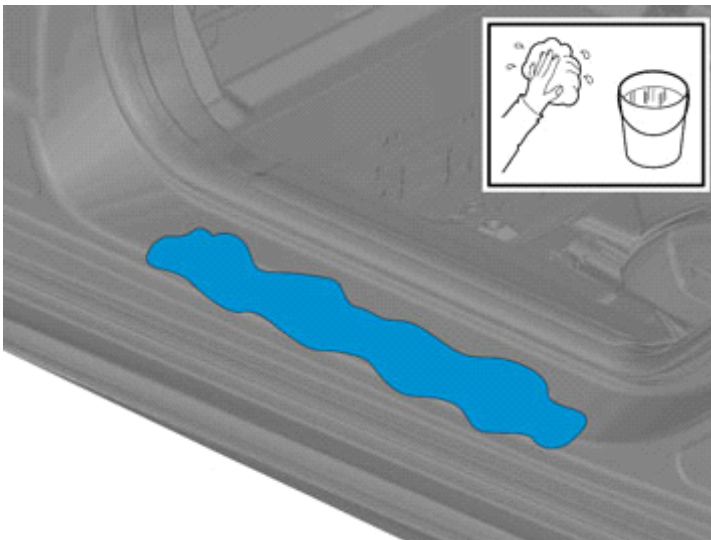
21



IMG-381451

Use: Interior trim remover

22



IMG-381452

Clean the surface.

Wipe dry.

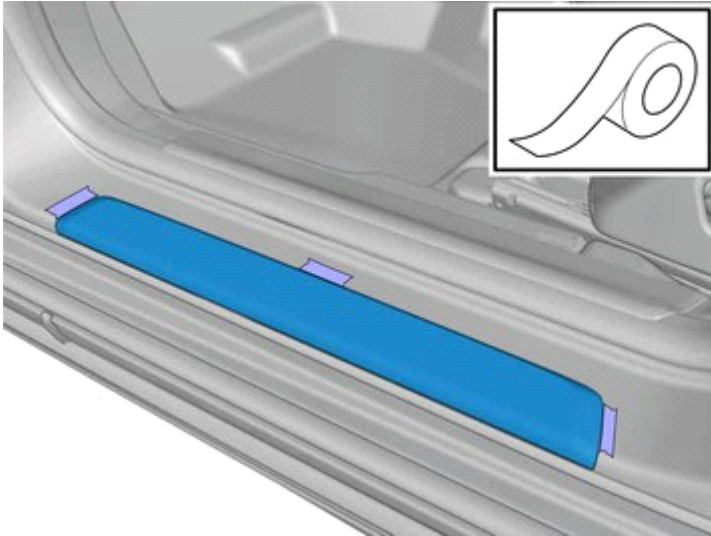
Accessory installation



Installation instructions, accessories

Volvo Car Corporation Gothenburg, Sweden

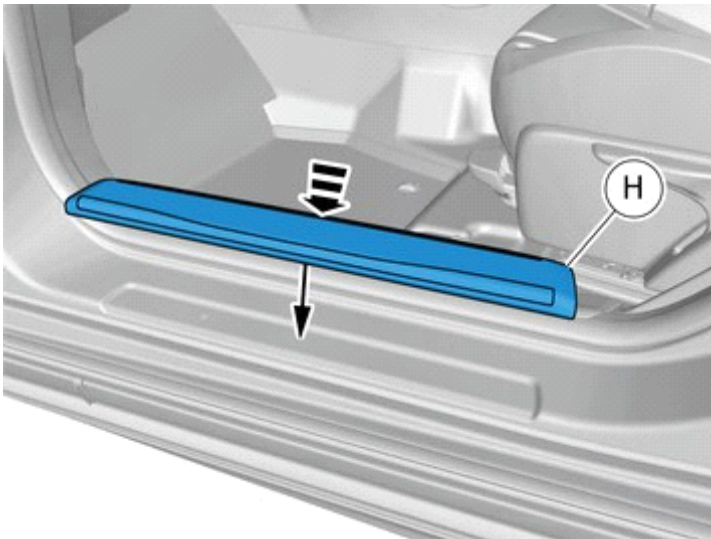
23



IMG-414841

Use appropriate tape to mark the position.

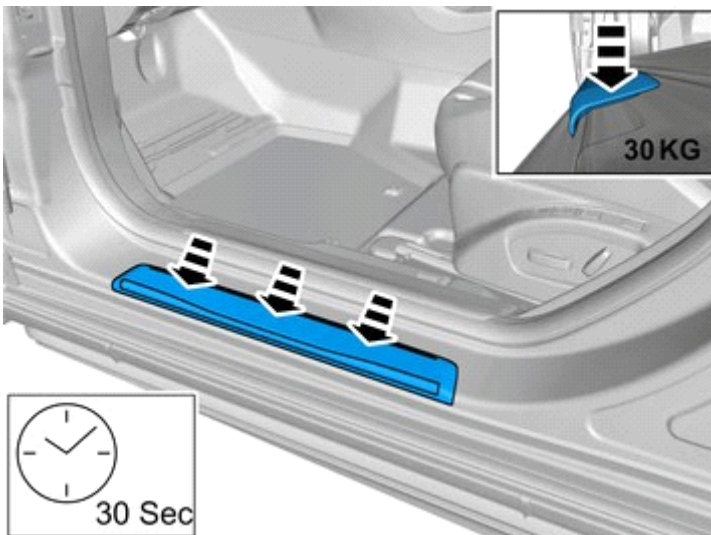
24



IMG-418630

Install component that comes with the accessory kit.

25



IMG-414843

Note!

Press and apply pressure to the part over the tape for at least 20 seconds.

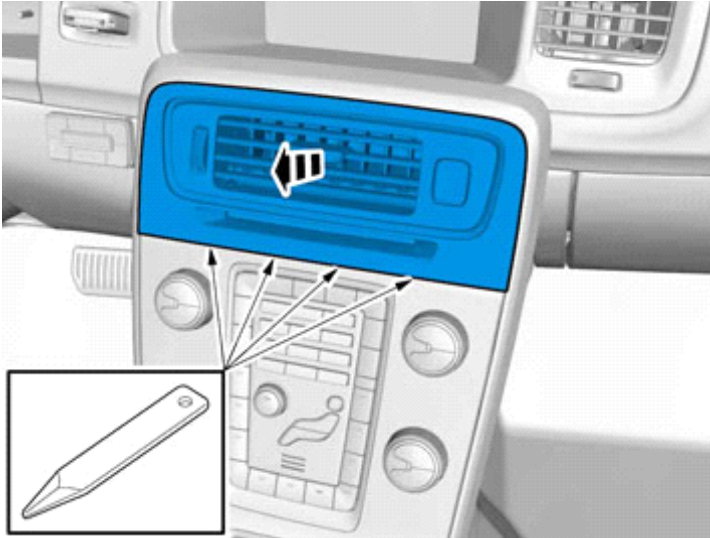


26

Repeat all method steps for the other side.

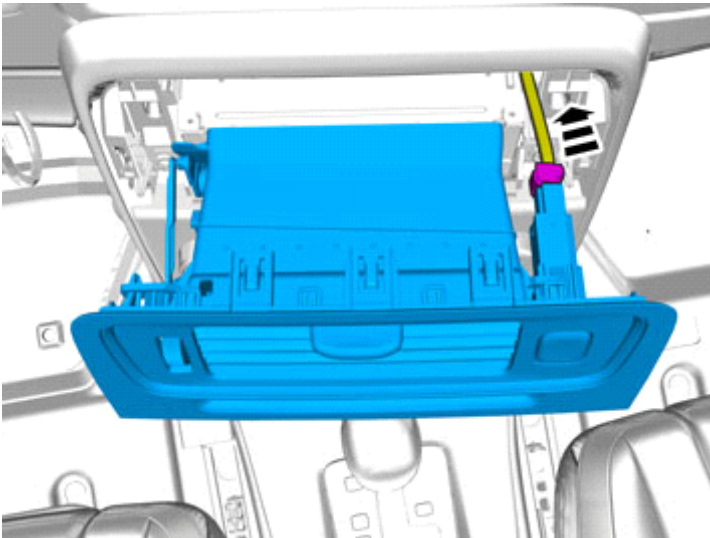
Removal

27



IMG-346236

28



IMG-340984

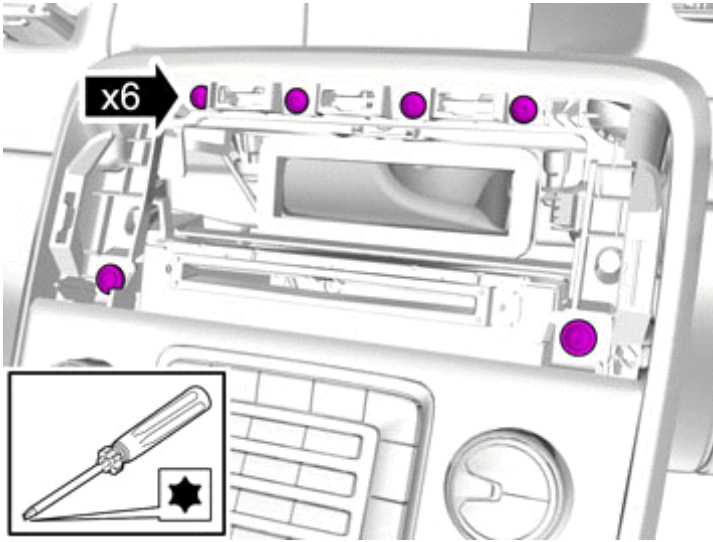
Disconnect the connector.



Installation instructions, accessories

Volvo Car Corporation Gothenburg, Sweden

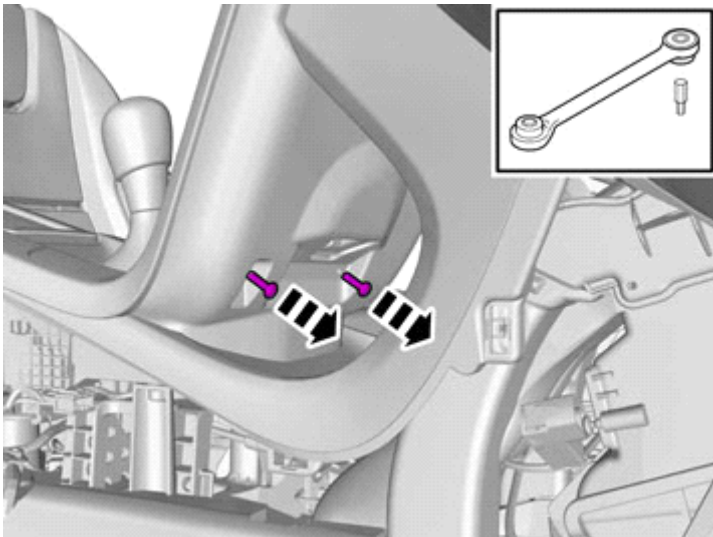
29



IMG-340985

Remove the screws.

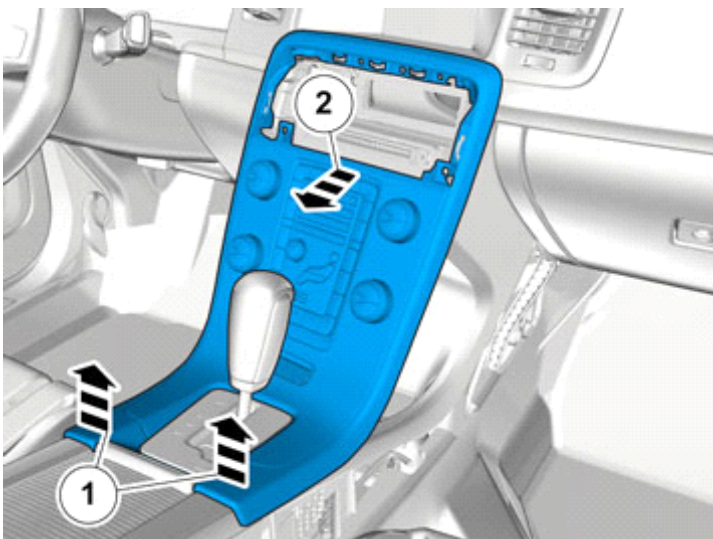
30



IMG-355818

Remove the screws.

31



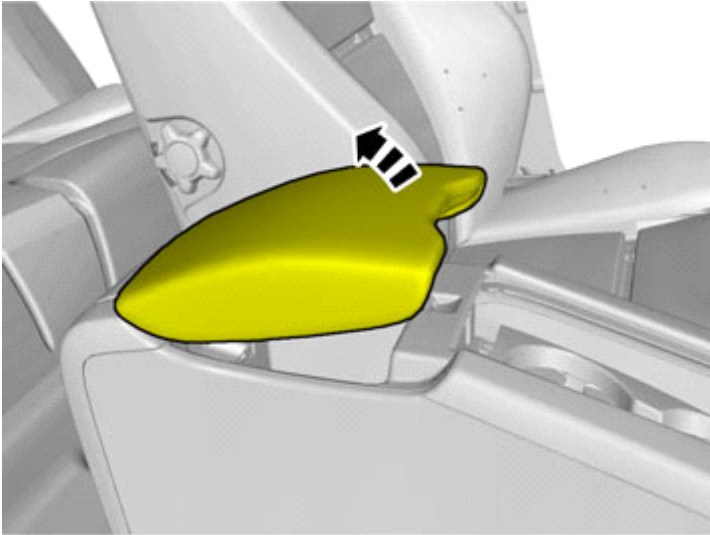
IMG-340981



Installation instructions, accessories

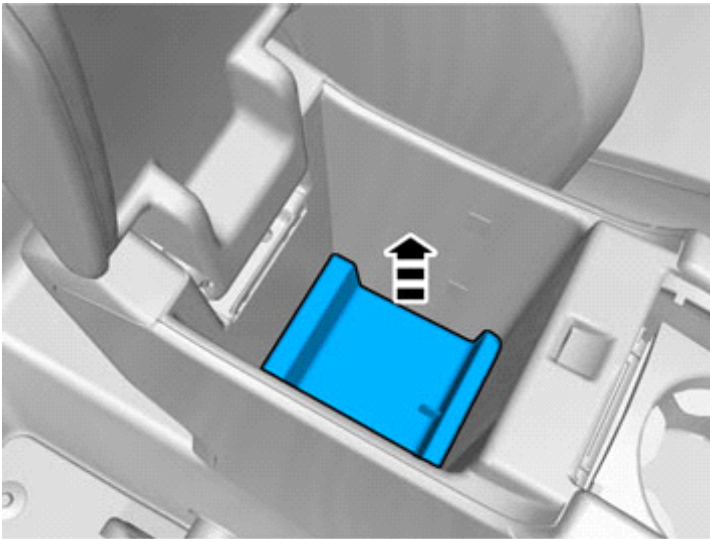
Volvo Car Corporation Gothenburg, Sweden

32



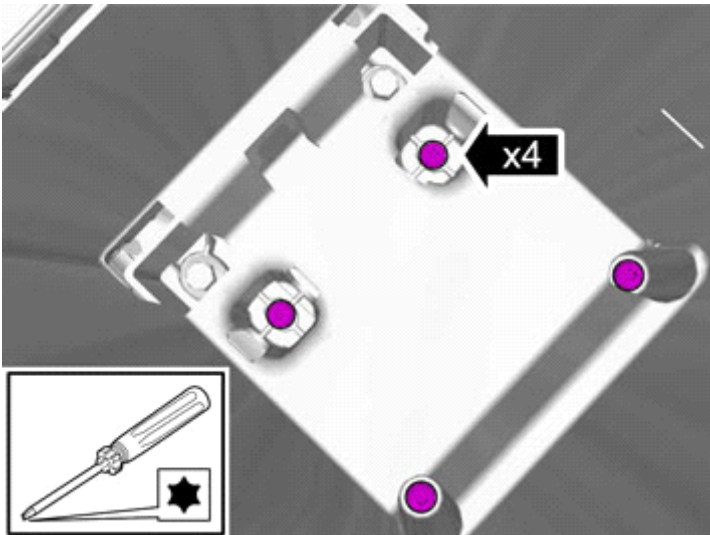
IMG-293021

33



IMG-293022

34



IMG-293023

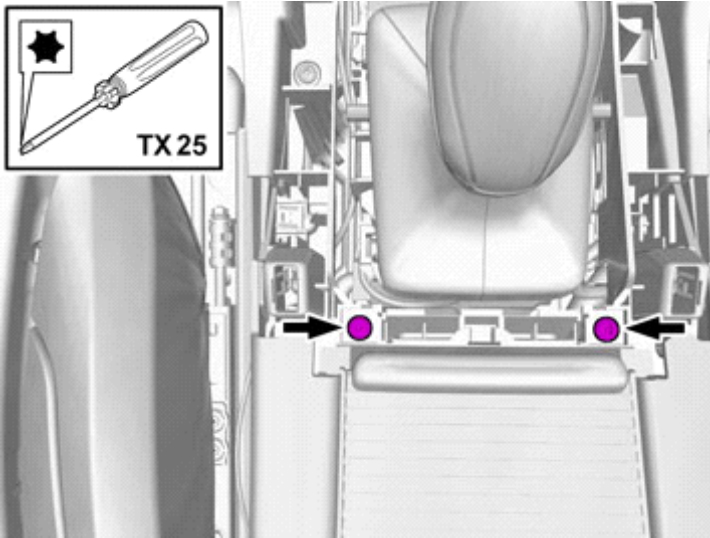
Remove the screws.



Installation instructions, accessories

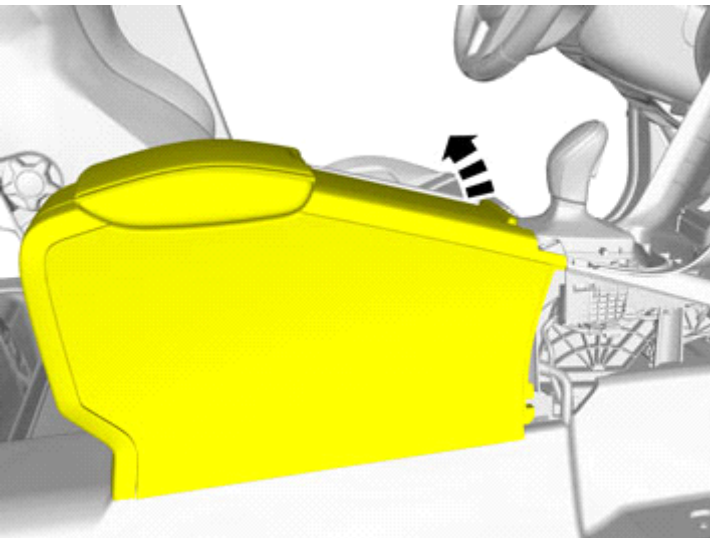
Volvo Car Corporation Gothenburg, Sweden

35



IMG-377998

36



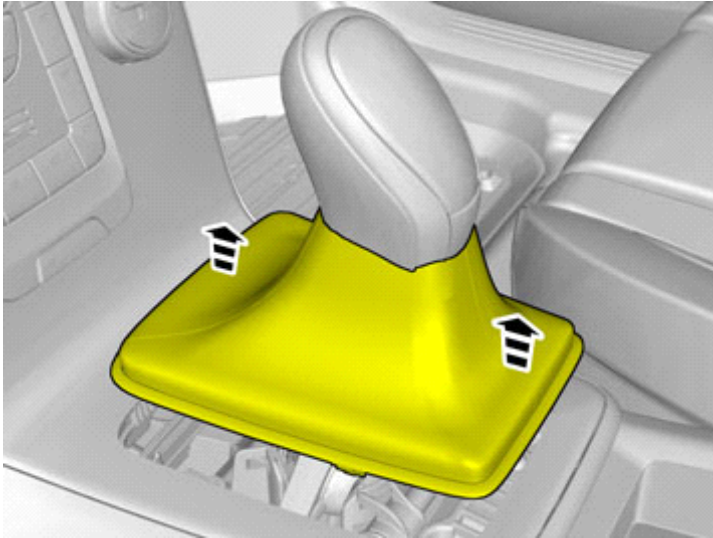
IMG-377997



Installation instructions, accessories

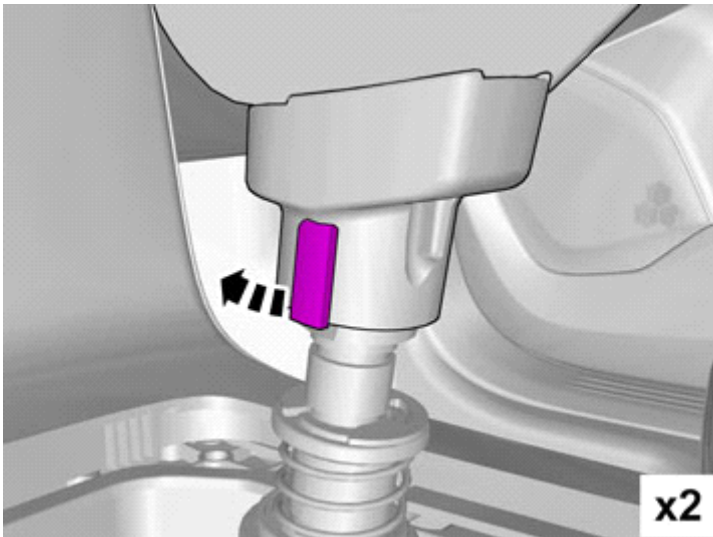
Volvo Car Corporation Gothenburg, Sweden

37



IMG-367797

38



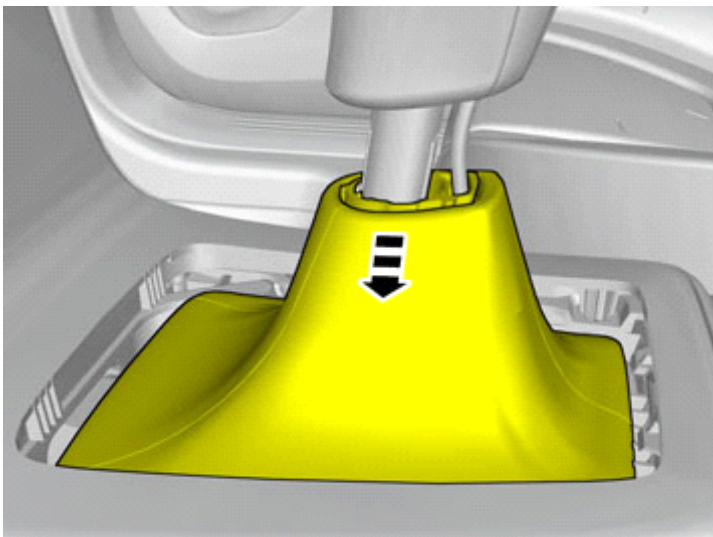
IMG-367741

Release the catches.

Repeat on the other side.

Use: Electrician's screwdriver

39



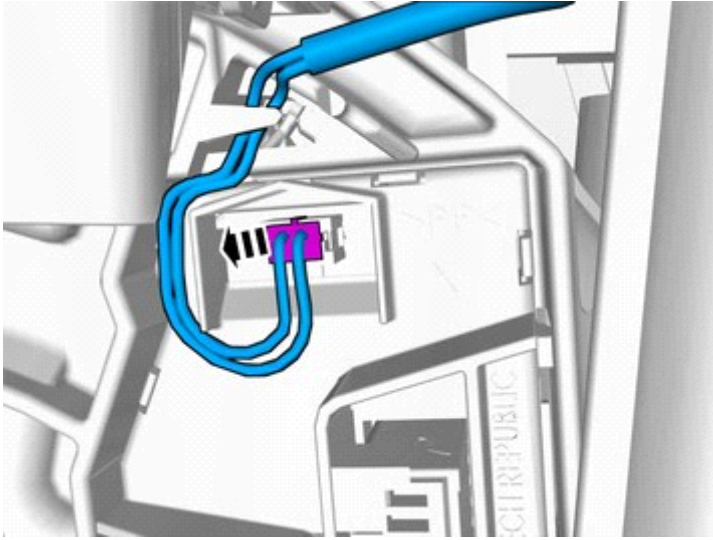
IMG-367751



Installation instructions, accessories

Volvo Car Corporation Gothenburg, Sweden

40

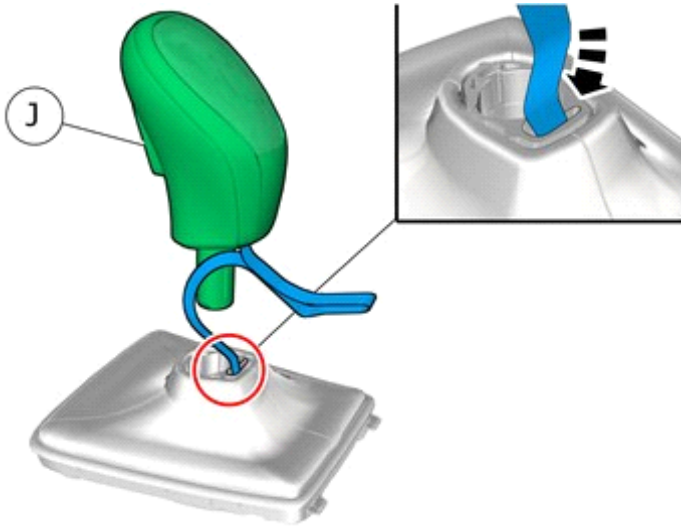


IMG-417756

Disconnect the connector.

Accessory installation

41



IMG-418632

Caution!

Take extra care not to damage the wiring harnesses.

Install component that comes with the accessory kit.

Pull the wiring through.

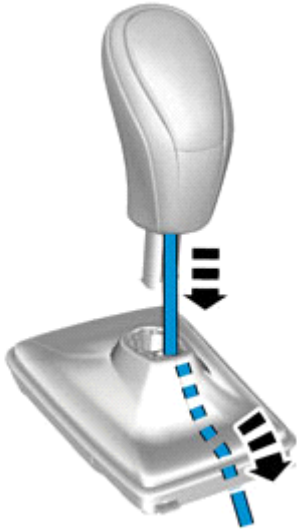


Installation instructions, accessories

Volvo Car Corporation Gothenburg, Sweden

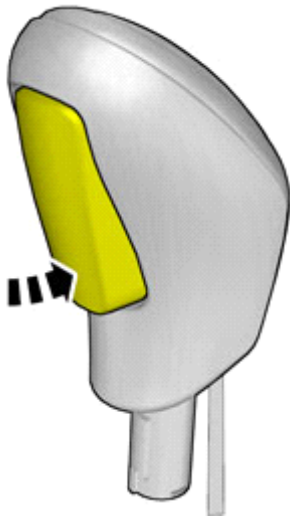
42

Pull the wiring through.



IMG-367926

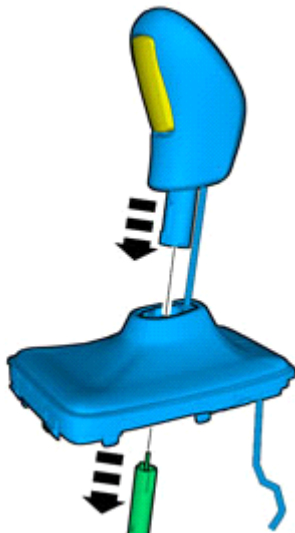
43



IMG-367983

44

Caution!
Take extra care not to damage the wiring harnesses.



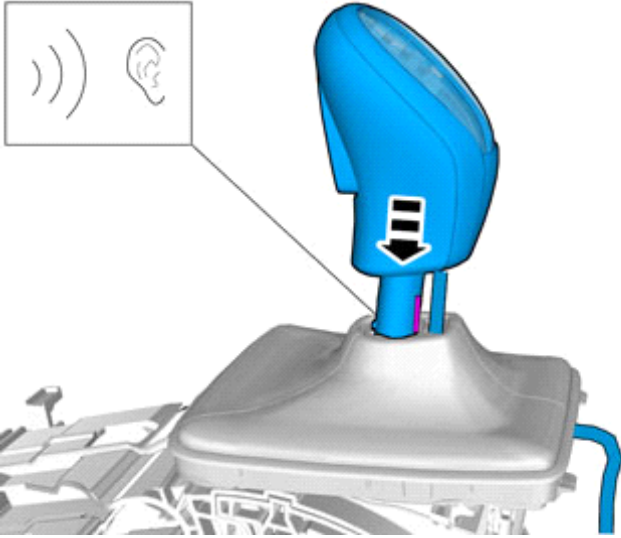
IMG-368004



Installation instructions, accessories

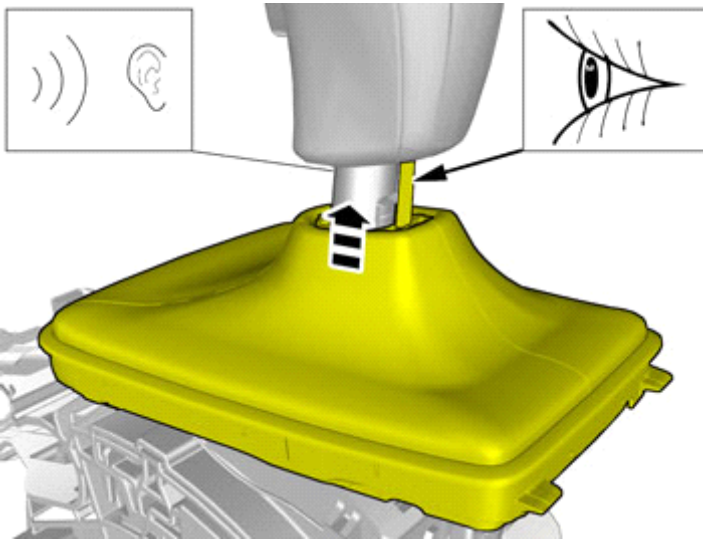
Volvo Car Corporation Gothenburg, Sweden

45



A click confirms that the component is in the correct position.

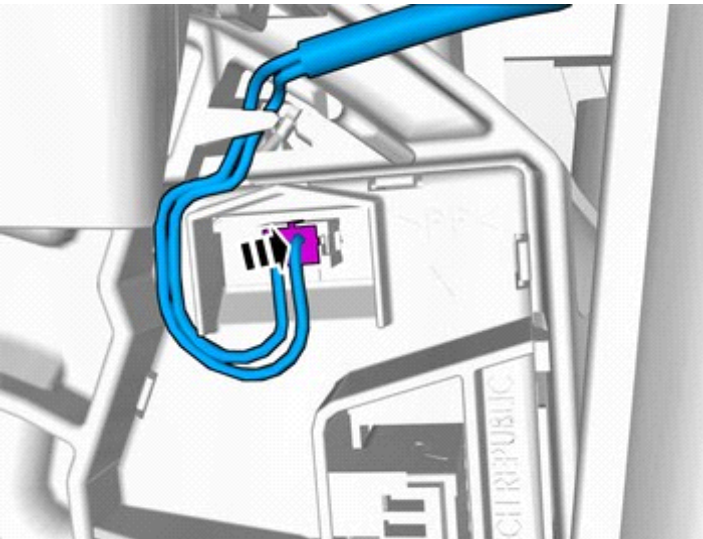
46



Caution!

Make sure that no part of the wiring harness is trapped.

47



Connect the connector.



Installation instructions, accessories

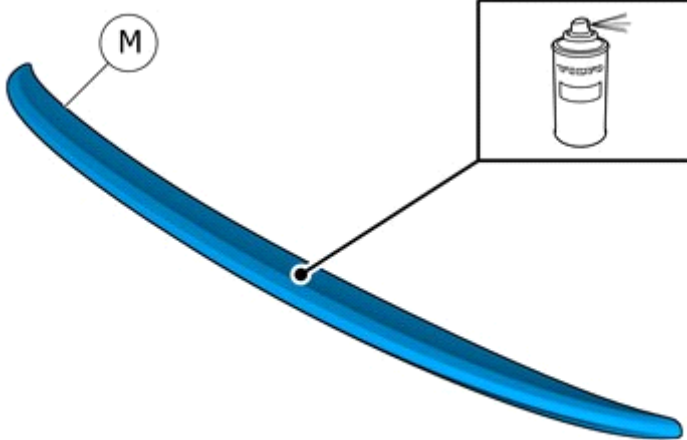
Volvo Car Corporation Gothenburg, Sweden

48

Reinstall the removed parts in reverse order.

Applies to unpainted component

49



IMG-418633

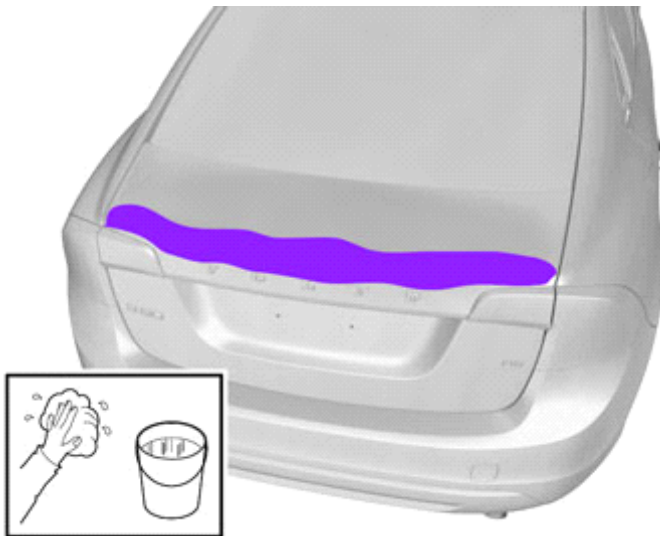
Applies to model S60

Preparation

50

Clean the surface.

Wipe dry.



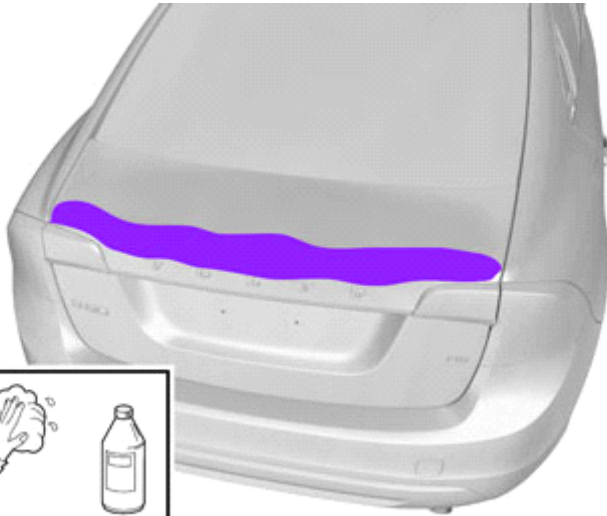
IMG-340296



Installation instructions, accessories

Volvo Car Corporation Gothenburg, Sweden

51



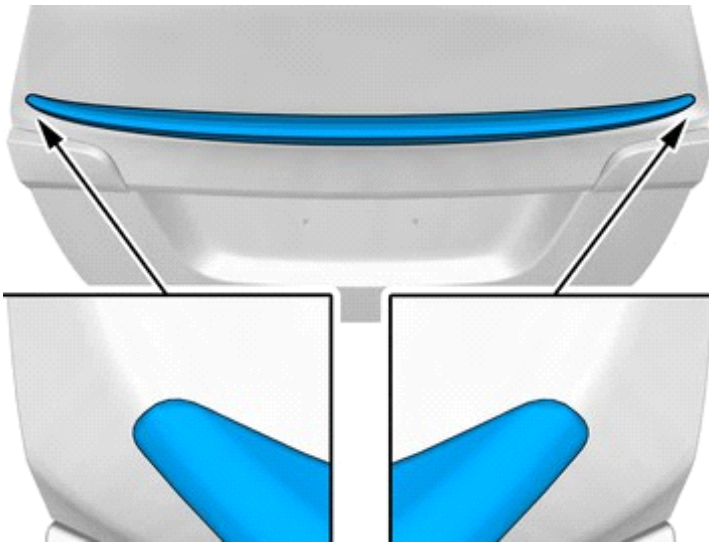
IMG-340486

Wipe off

Use: 1161721, Isopropanol

Accessory installation

52



IMG-415589

Note!

Make sure that the component is centred.

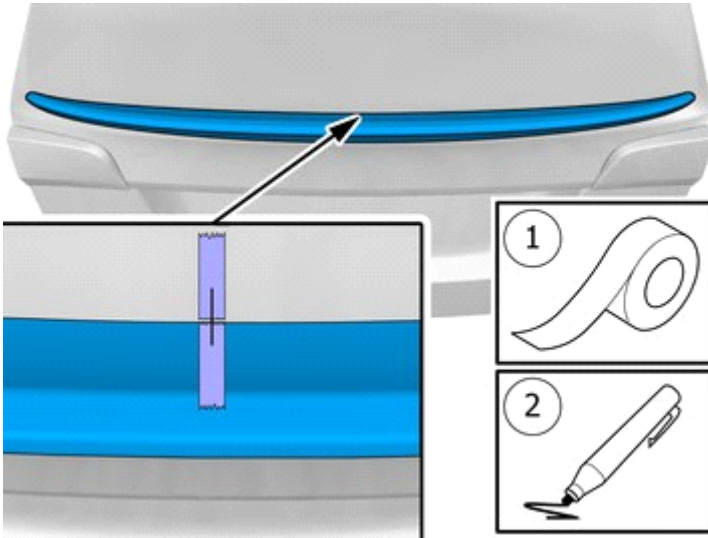
Install component that comes with the accessory kit.



Installation instructions, accessories

Volvo Car Corporation Gothenburg, Sweden

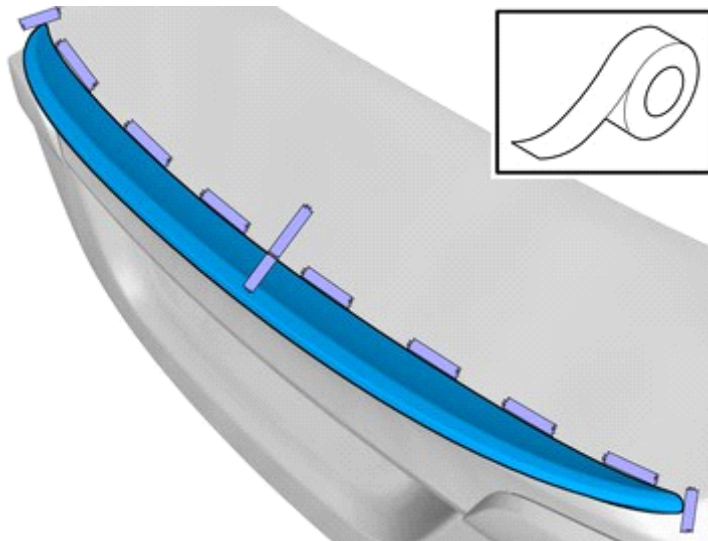
53



IMG-415595

- Use appropriate tape to mark the position.
 - Mark using a pen
- Use:** , Masking tape

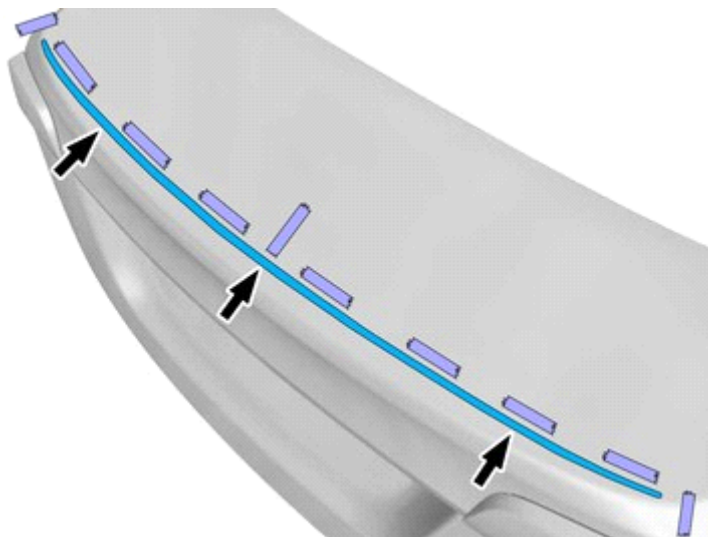
54



IMG-415613

- Use appropriate tape to mark the position.
- Use:** , Masking tape

55



IMG-415586

- Apply the stated Material on the marked surface.
 - Apply a thin and even layer.
- Use:** 1161727, Primer

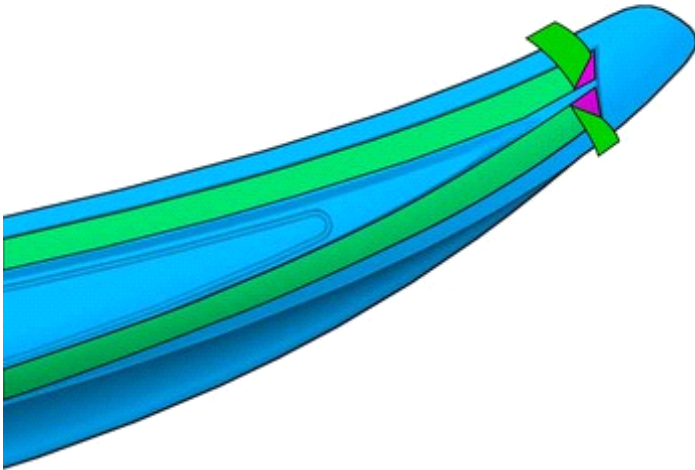


Installation instructions, accessories

Volvo Car Corporation Gothenburg, Sweden

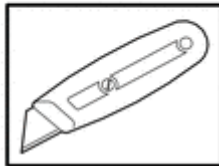
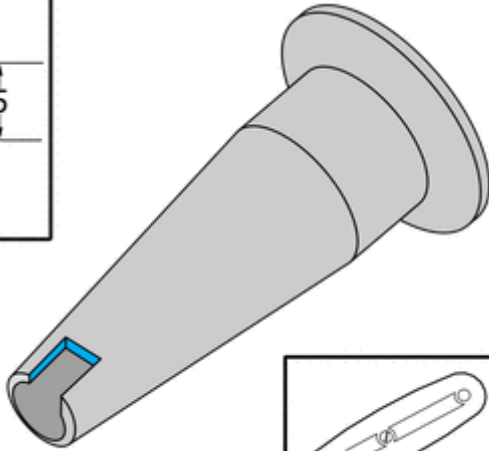
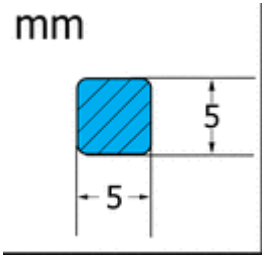
56

Fold the protective film forward



IMG-415619

57 mm



IMG-411869

Caution!

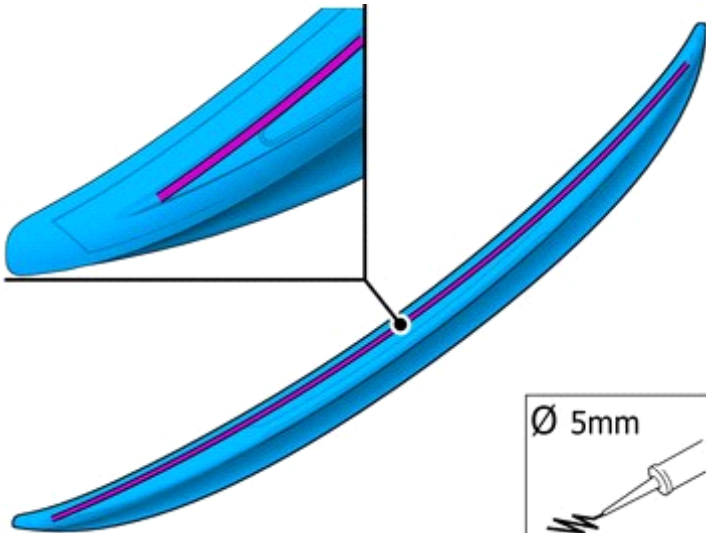
Cut carefully to avoid unintentional damage or personal injury.

Cut the component following the instructions in the graphic.

58

Apply the stated Material on the marked surface.

Use: 8750060, Glue



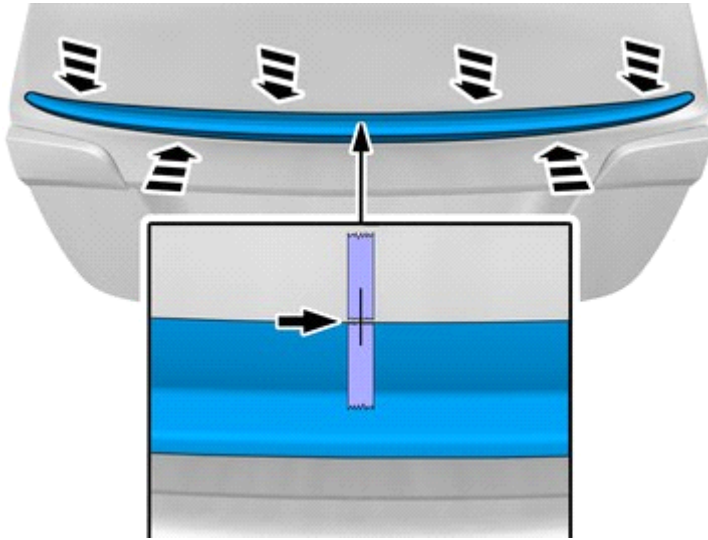
IMG-415567



Installation instructions, accessories

Volvo Car Corporation Gothenburg, Sweden

59



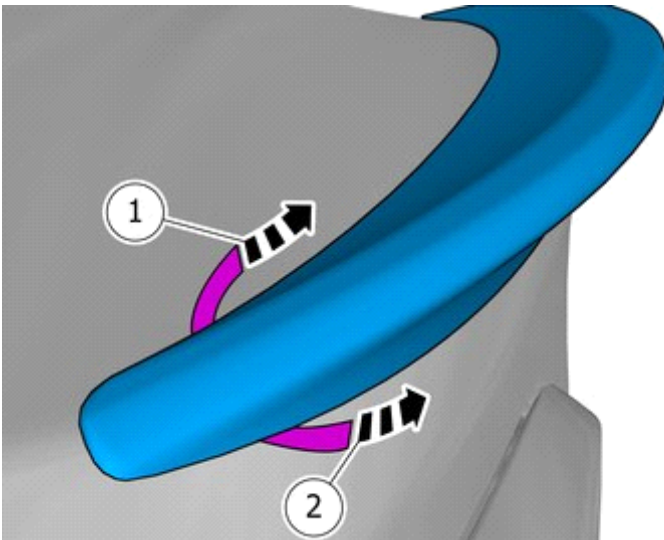
IMG-415620

Note!

Note the position.

Install component that comes with the accessory kit.

60



IMG-415621

Caution!

Pull carefully.

Note!

Make sure to follow the sequence indicated.

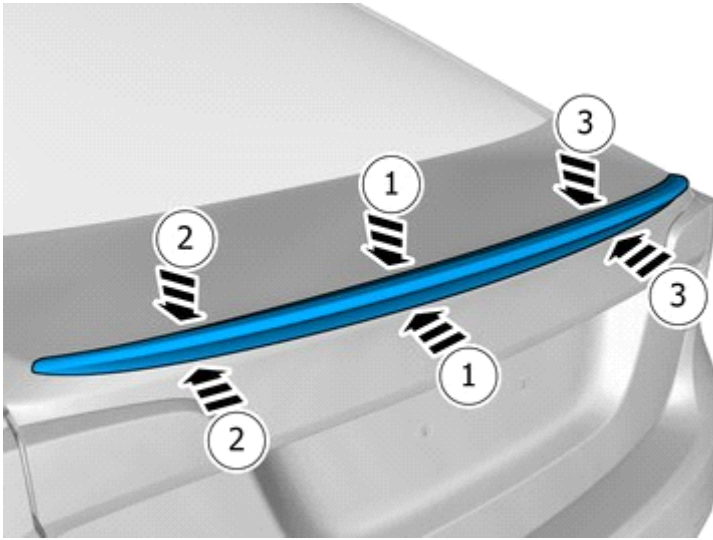
Remove the protective film.



Installation instructions, accessories

Volvo Car Corporation Gothenburg, Sweden

61



IMG-415622

Note!

Press and apply pressure to the part over the tape for at least 20 seconds.

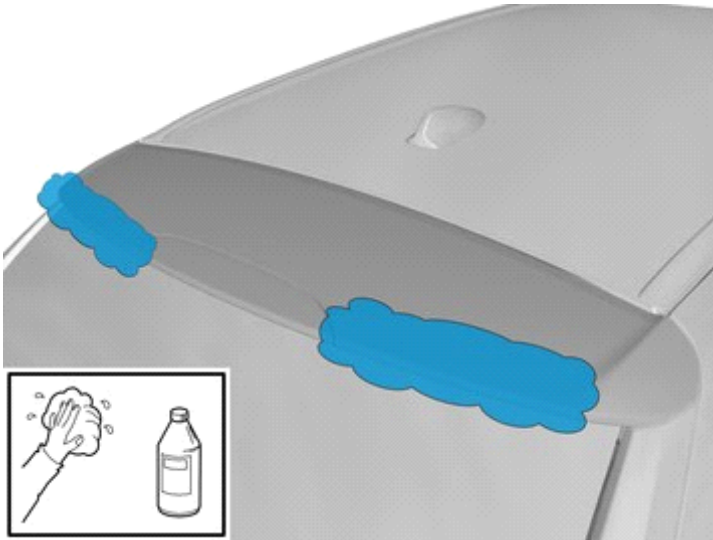
Note!

Ensure that the tape is fixed to the surface.

Applies to V60 models

Preparation

62



IMG-411755

Clean the surfaces.

Use: 1161721, Isopropanol

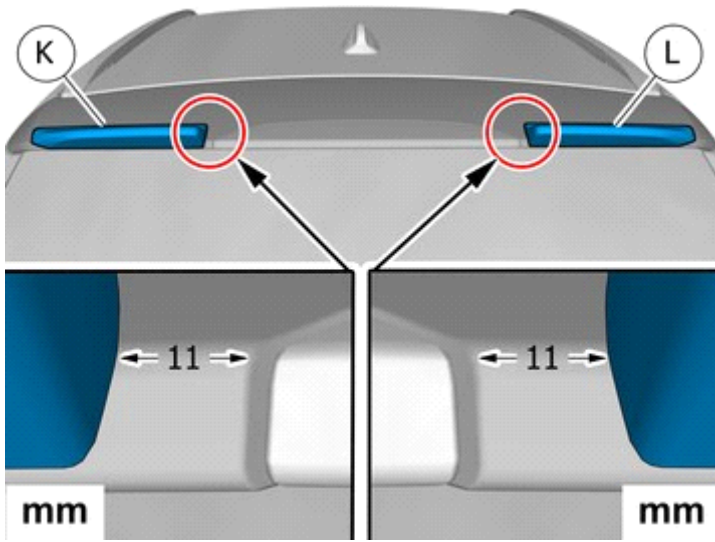
Accessory installation



Installation instructions, accessories

Volvo Car Corporation Gothenburg, Sweden

63



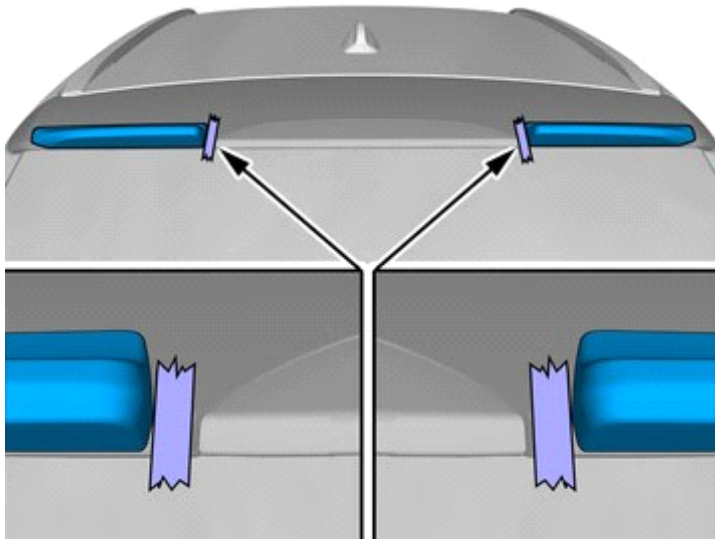
IMG-418635

Place the component where indicated in the graphic.

Measure

Use: Tape measure

64

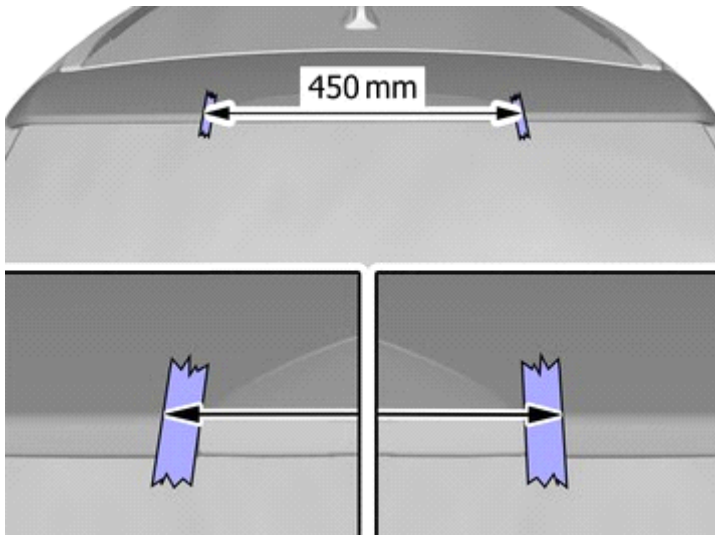


IMG-411694

Use appropriate tape to mark the position.

Use: , Masking tape

65



IMG-411695

Measure

Use: Tape measure

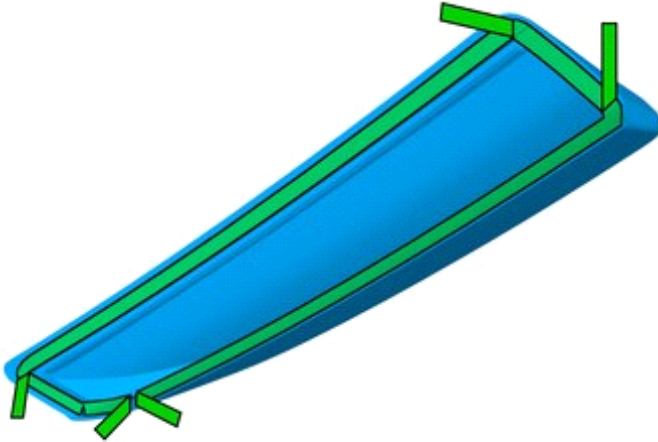


Installation instructions, accessories

Volvo Car Corporation Gothenburg, Sweden

66

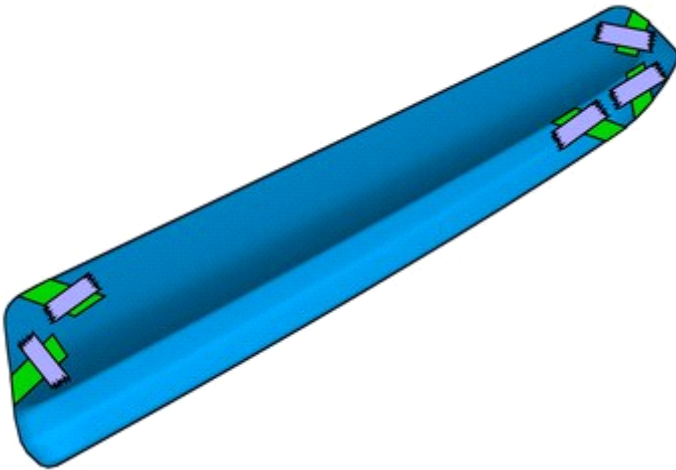
Fold the protective film forward



IMG-411756

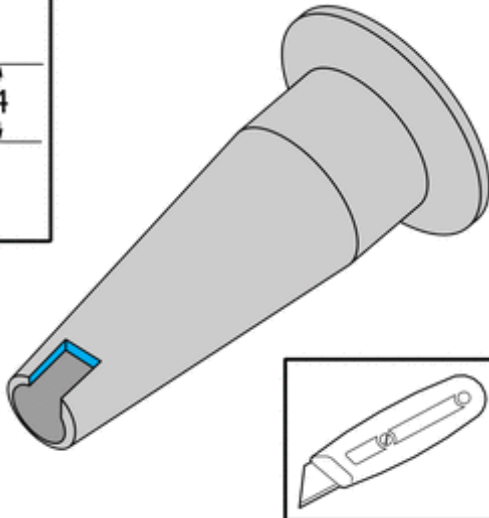
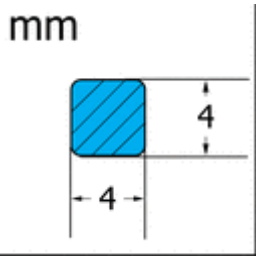
67

Use: , Masking tape



IMG-411757

68



Caution!

Cut carefully to avoid unintentional damage or personal injury.

Cut the component following the instructions in the graphic.

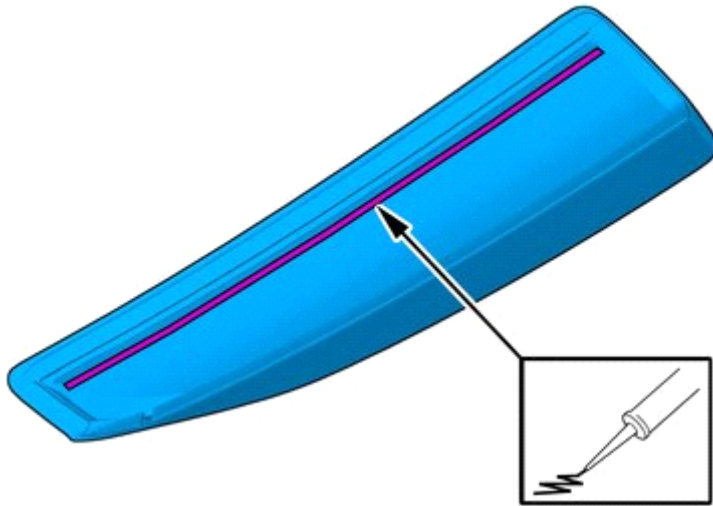
IMG-411531



Installation instructions, accessories

Volvo Car Corporation Gothenburg, Sweden

69

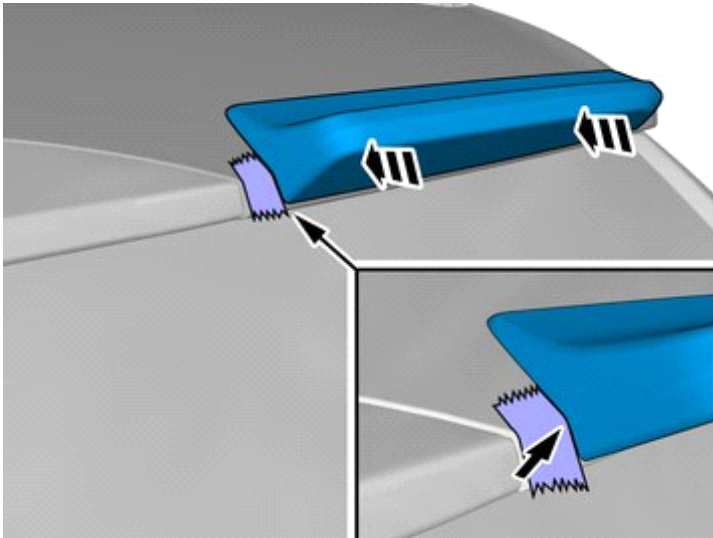


IMG-411707

Apply the stated Material on the marked surface.

Use: 8750060, Glue

70



IMG-411709

Note!

Make sure that the mating faces are clean and free of foreign material.

Install component that comes with the accessory kit.

Place the component where indicated in the graphic.

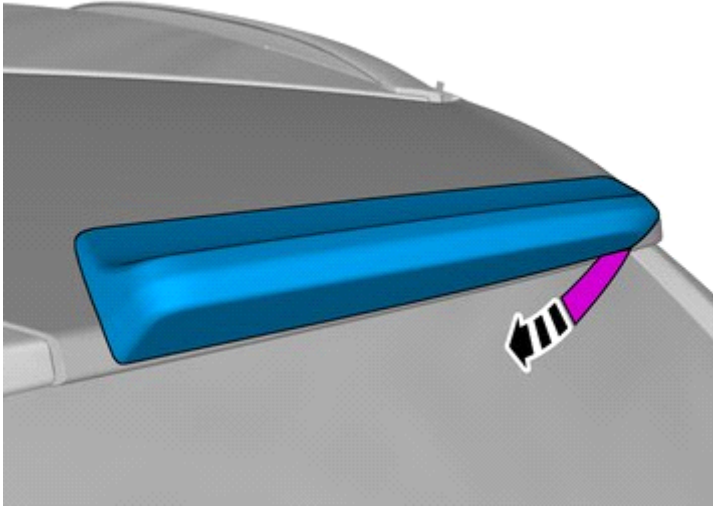


Installation instructions, accessories

Volvo Car Corporation Gothenburg, Sweden

71

Remove the protective film.

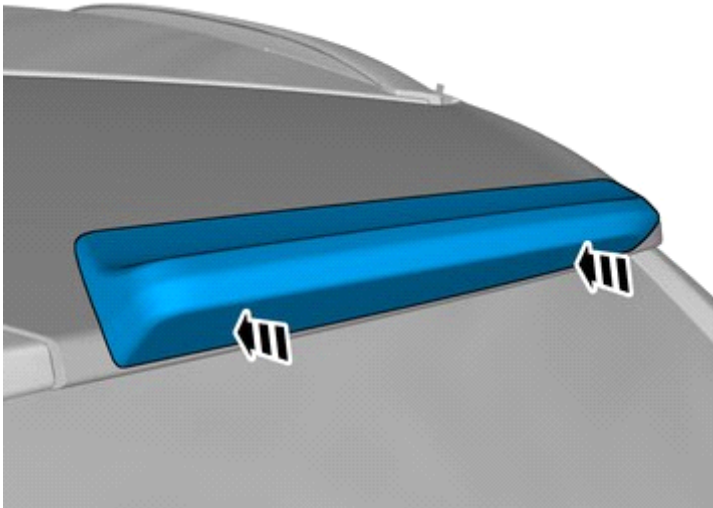


IMG-411761

72

Note!

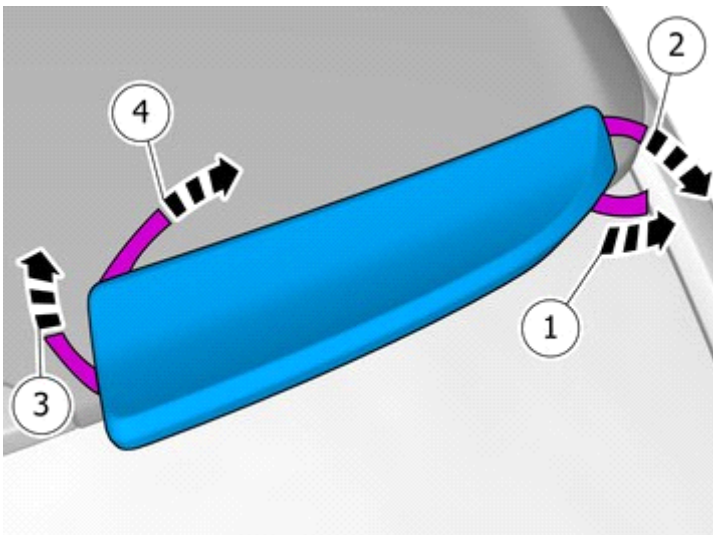
Press and apply pressure to the part over the tape for at least 20 seconds.



IMG-411711

73

Remove the protective film.



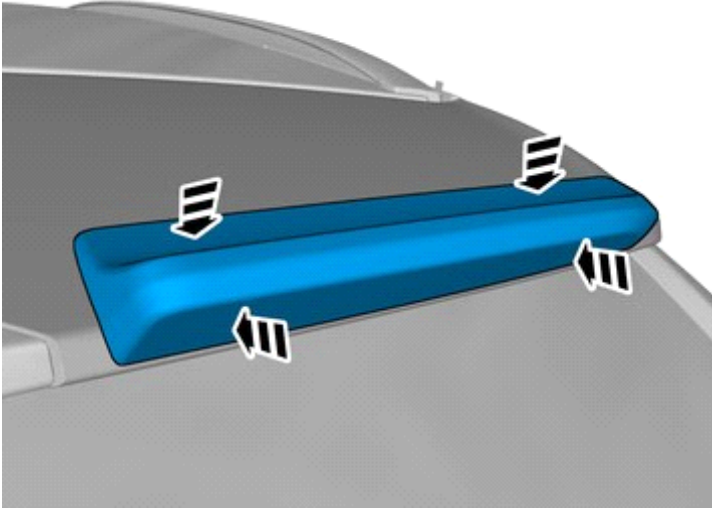
IMG-411765



Installation instructions, accessories

Volvo Car Corporation Gothenburg, Sweden

74



IMG-411710

Note!

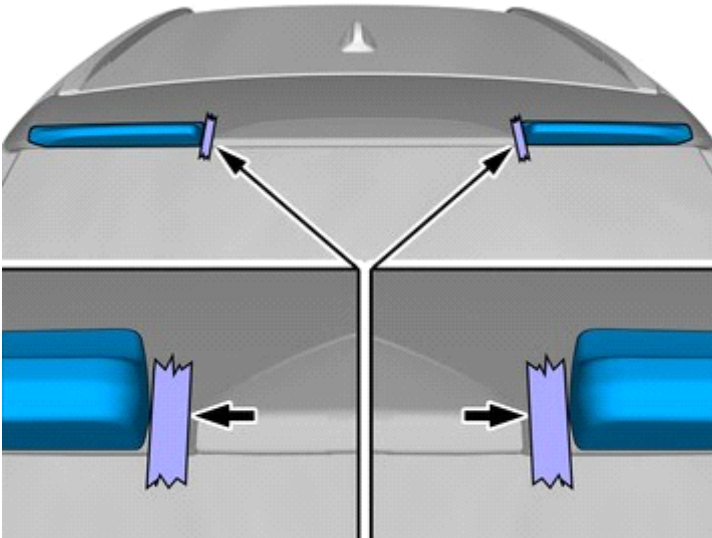
Press and apply pressure to the part over the tape for at least 20 seconds.

75

Repeat the steps when installing accessories on opposite side.

Removal

76



IMG-411705

Remove the tape.

All vehicles

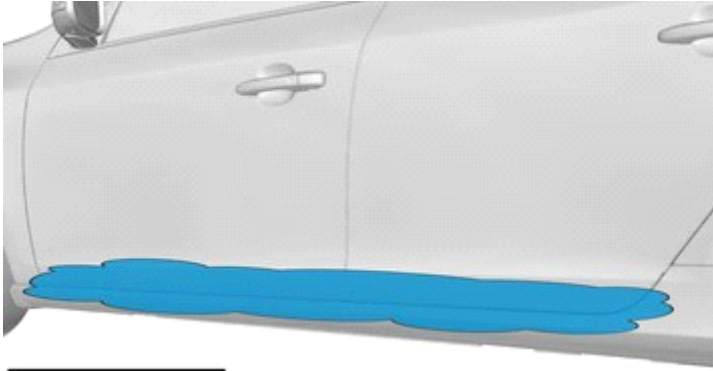
Preparation



Installation instructions, accessories

Volvo Car Corporation Gothenburg, Sweden

77



IMG-413685

Clean the surfaces.

Wipe dry.

78



IMG-413686



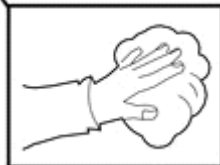
Wipe off

Use: 1161721, Isopropanol

79



IMG-413746



Wipe off

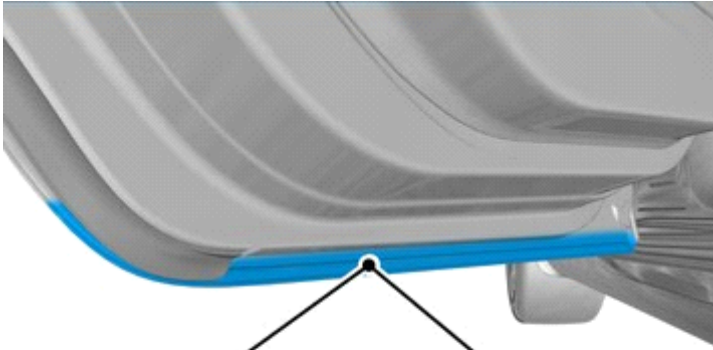
Use: 1161721, Isopropanol



Installation instructions, accessories

Volvo Car Corporation Gothenburg, Sweden

80



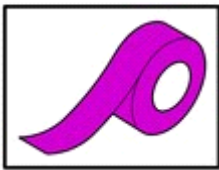
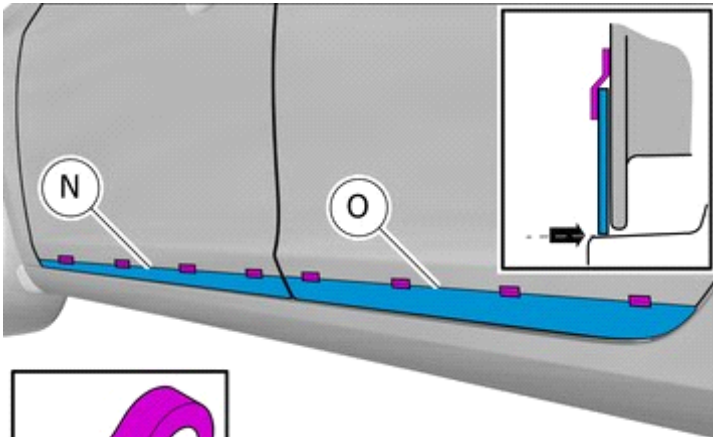
IMG-413741

Wipe off

Use: 1161721, Isopropanol

Accessory installation

81



IMG-413688

Install component that comes with the accessory kit.

Place the component where indicated in the graphic.

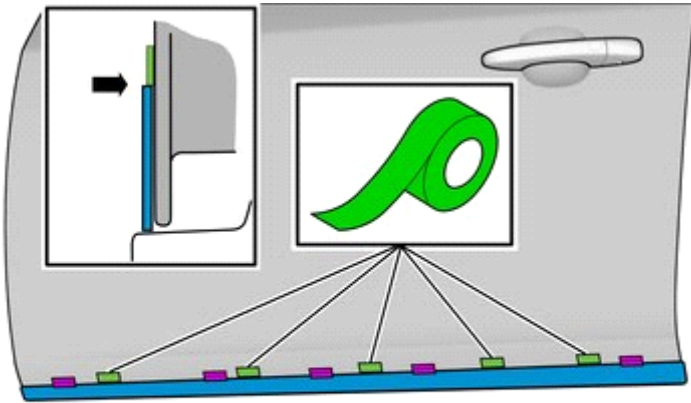
Use: , Masking tape



Installation instructions, accessories

Volvo Car Corporation Gothenburg, Sweden

82

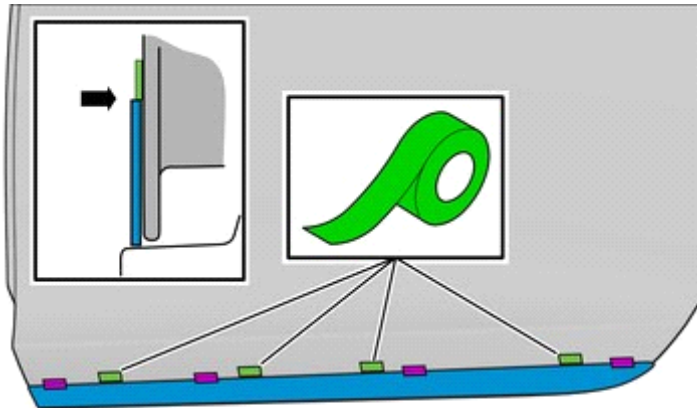


Use appropriate tape to mark the position.

Use: , Masking tape

IMG-413690

83

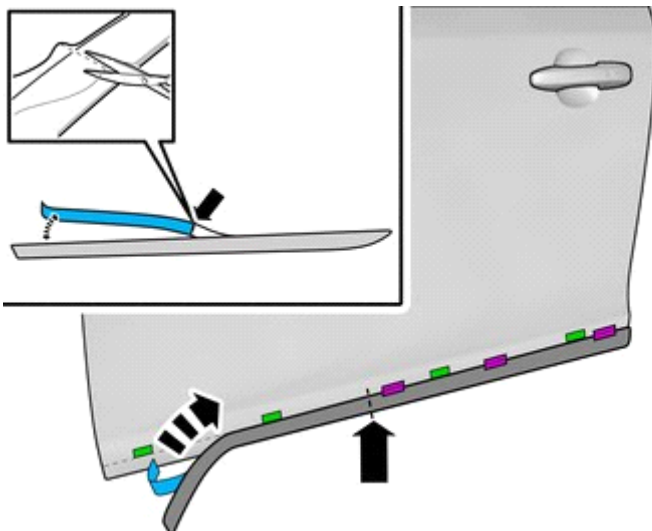


Use appropriate tape to mark the position.

Use: , Masking tape

IMG-413691

84



Remove the protective film.

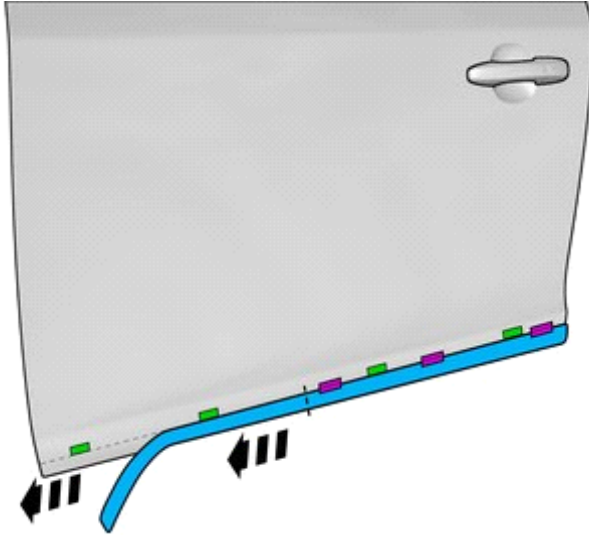
IMG-413760



Installation instructions, accessories

Volvo Car Corporation Gothenburg, Sweden

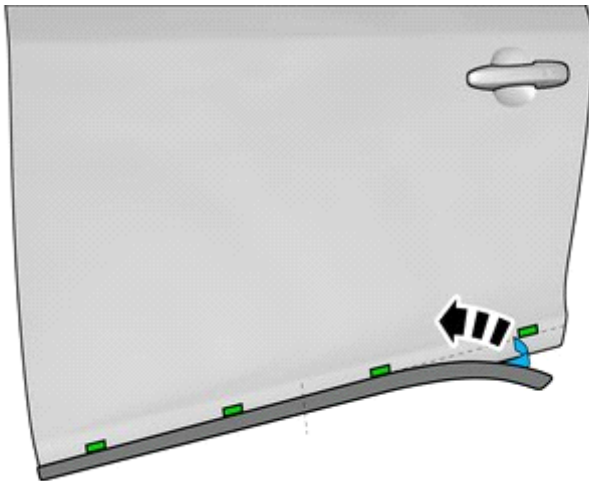
85



IMG-413763

Use suitable tool to squeeze out any trapped air bubbles.

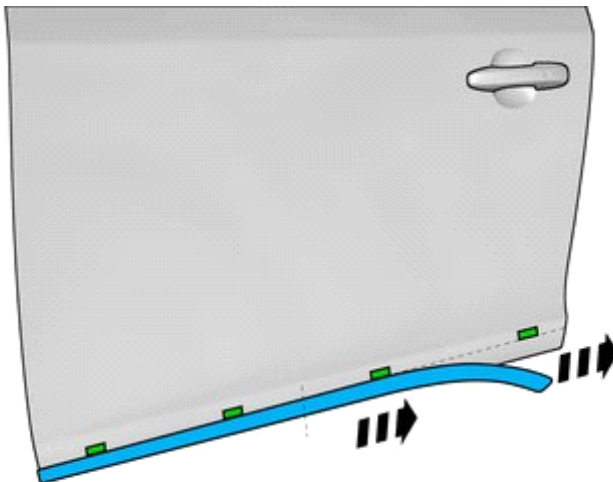
86



IMG-413761

Remove the protective film.

87



IMG-413762

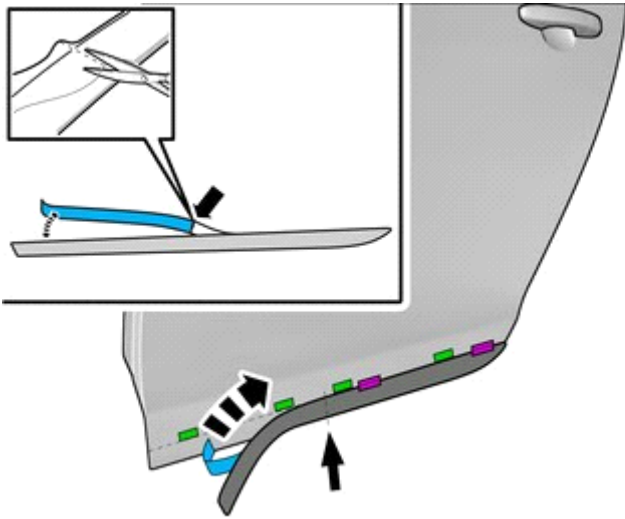
Use suitable tool to squeeze out any trapped air bubbles.



Installation instructions, accessories

Volvo Car Corporation Gothenburg, Sweden

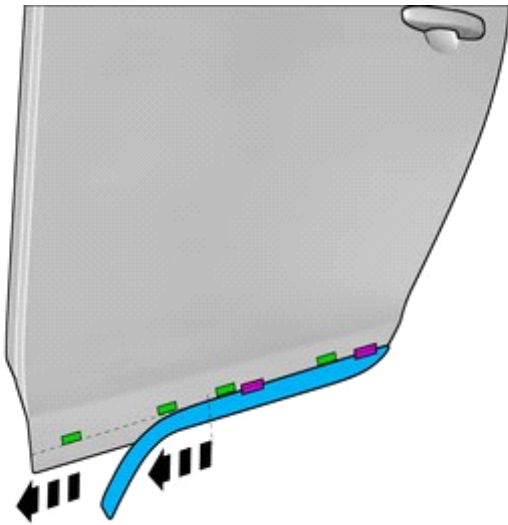
88



Remove the protective film.

IMG-413705

89



Use suitable tool to squeeze out any trapped air bubbles.

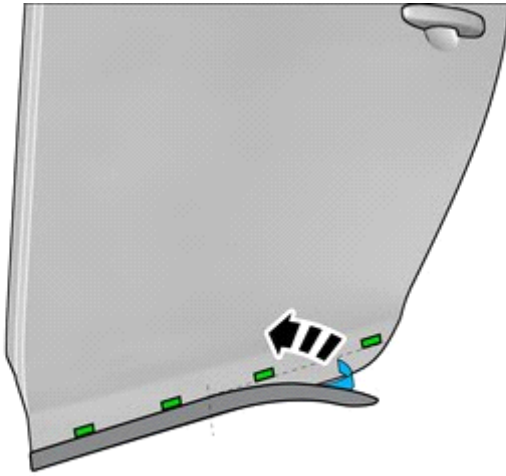
IMG-413706



Installation instructions, accessories

Volvo Car Corporation Gothenburg, Sweden

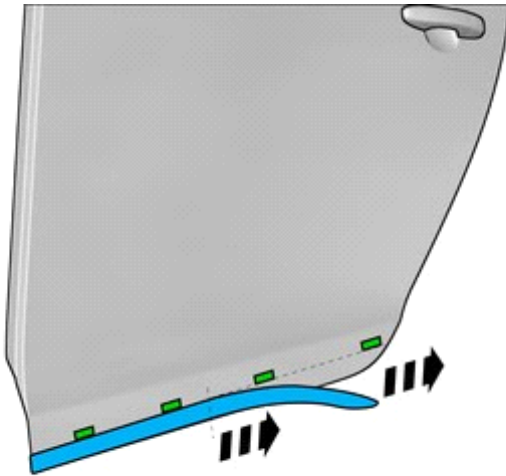
90



Remove the protective film.

IMG-413707

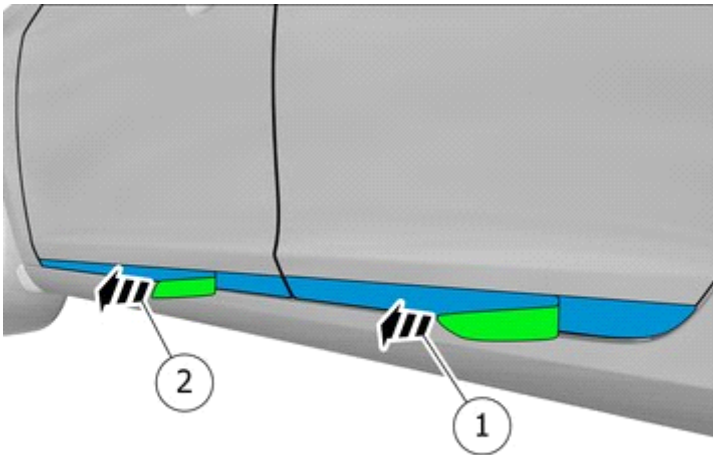
91



Use suitable tool to squeeze out any trapped air bubbles.

IMG-413708

92



Remove the protective film.

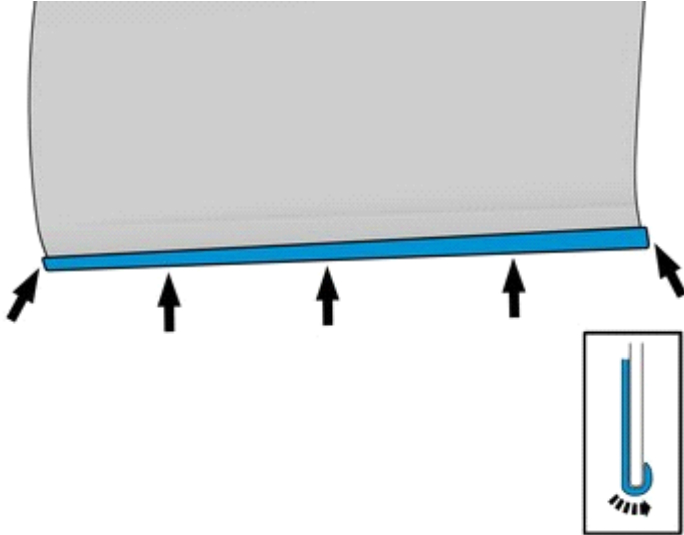
IMG-413757



Installation instructions, accessories

Volvo Car Corporation Gothenburg, Sweden

93



IMG-413712

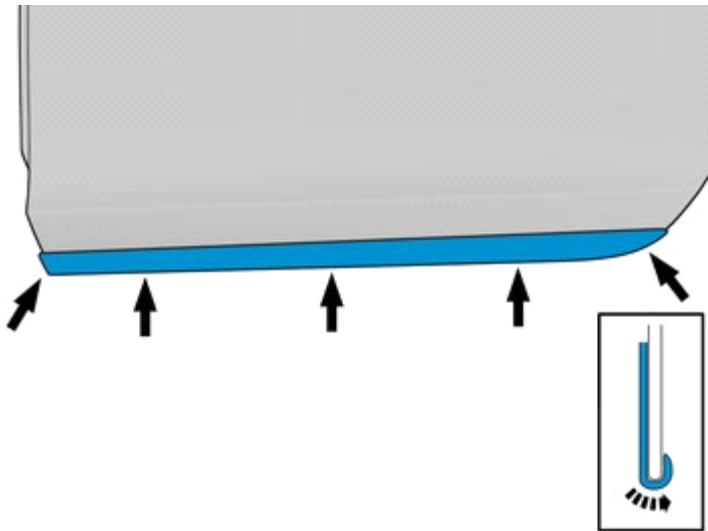
Note!

Fold the marked component properly around the edge.

Note!

Ensure that the tape is fixed to the surface.

94



IMG-413711

Note!

Fold the marked component properly around the edge.

Note!

Ensure that the tape is fixed to the surface.

95

Repeat the steps when installing accessories on opposite side.



Installation instructions, accessories

Volvo Car Corporation Gothenburg, Sweden

96

Place the manual for this accessory in a suitable location in the car.



IMG-415691