



Installation instructions, accessories

Volvo Car Corporation Gothenburg, Sweden

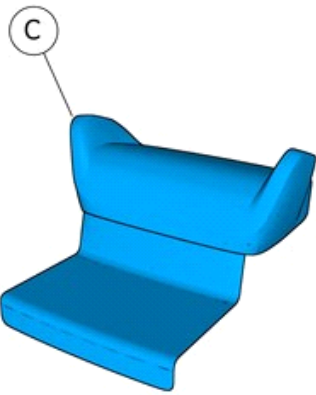
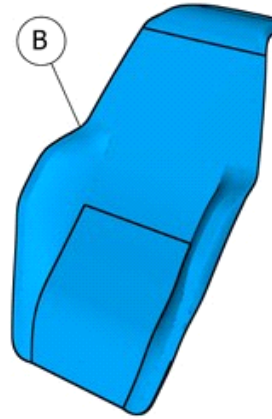
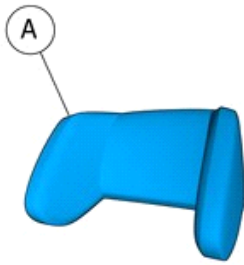
Instruction No	Version	Part. No.
31435515	1.0	31435515

Child seat, padded upholstery



Installation instructions, accessories

Volvo Car Corporation Gothenburg, Sweden



IMG-418860



Installation instructions, accessories

Volvo Car Corporation Gothenburg, Sweden

Information

1

Read through all of the instructions before starting installation.

Notifications and warning texts are for your safety and to minimise the risk of something breaking during installation.

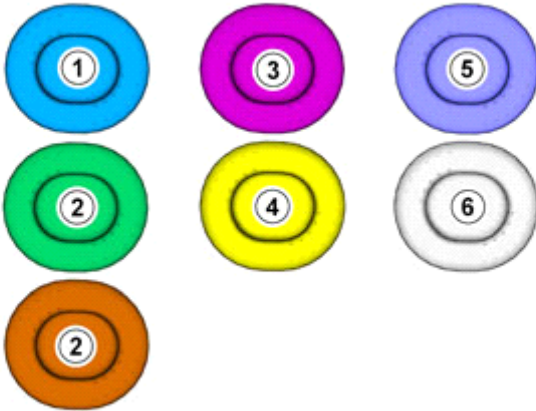
Ensure that all tools stated in the instructions are available before starting installation.

Certain steps in the instructions are only presented in the form of images. Explanatory text is also given for more complicated steps.

In the event of any problems with the instructions or the accessory, contact your local Volvo dealer.

Color symbols

2



IMG-363036

Note!

This colour chart displays (in colour print and electronic version) the importance of the different colours used in the images of the method steps.

- Used for focused component, the component with which you will do something.
- Used as extra colors when you need to show or differentiate additional parts.
- Used for attachments that are to be removed/installed. May be screws, clips, connectors, etc.
- Used when the component is not fully removed from the vehicle but only hung to the side.
- Used for standard tools and special tools.
- Used as background color for vehicle components.

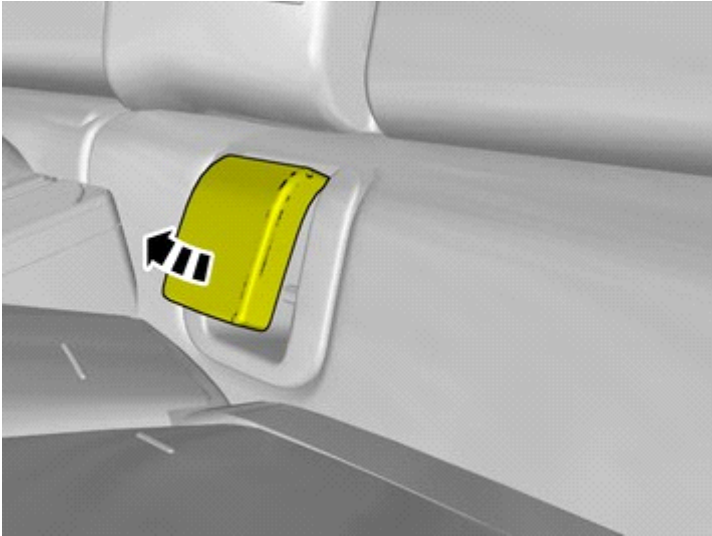
Accessory installation



Installation instructions, accessories

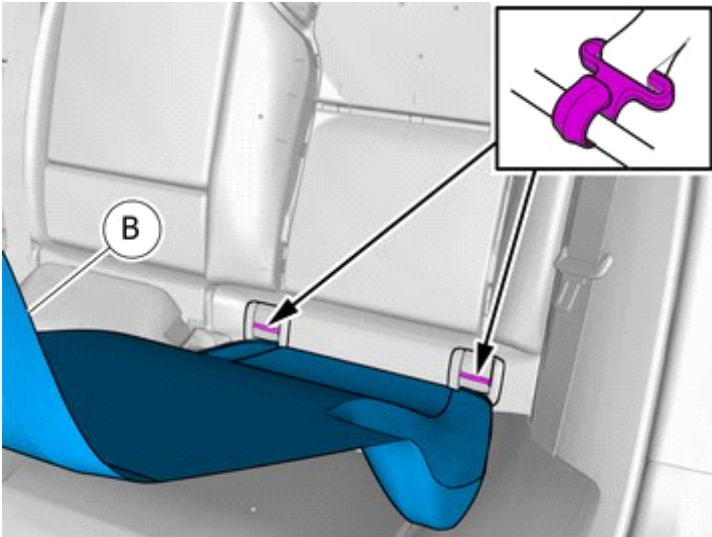
Volvo Car Corporation Gothenburg, Sweden

3



IMG-418794

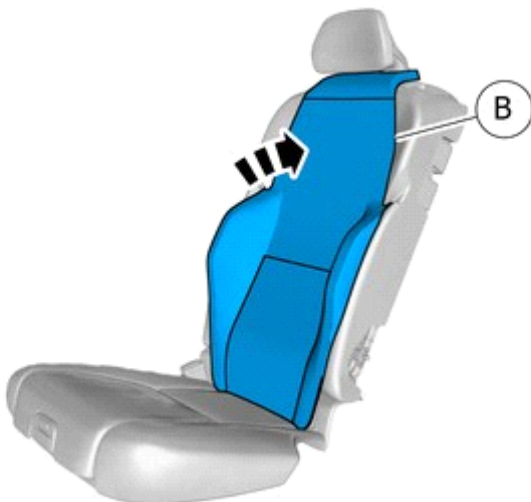
4



IMG-418788

Place the component where indicated in the graphic.

5



IMG-418865

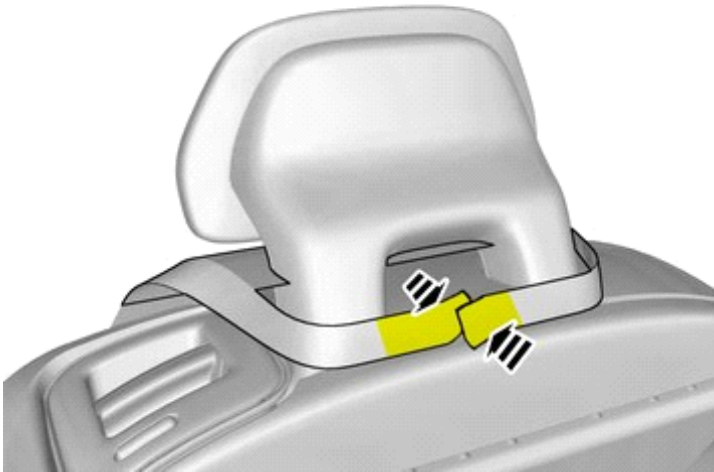
Install component that comes with the accessory kit.



Installation instructions, accessories

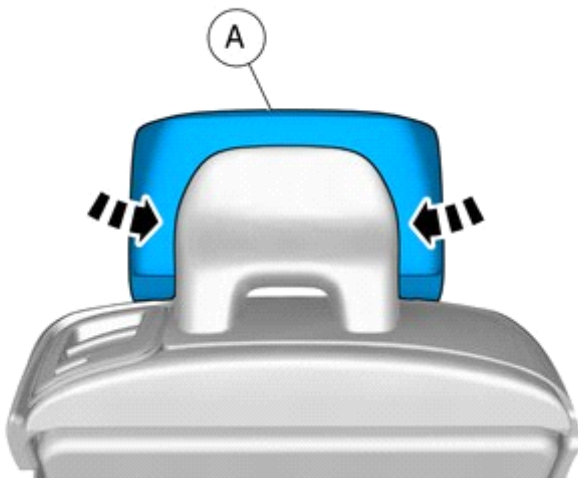
Volvo Car Corporation Gothenburg, Sweden

6



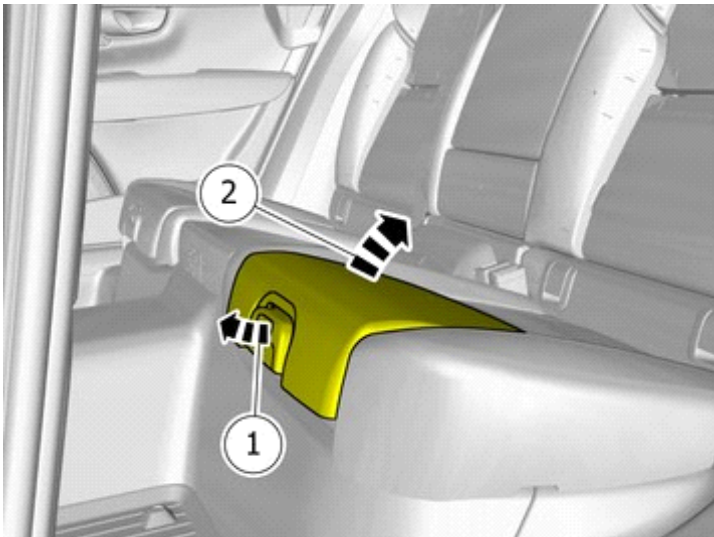
IMG-418855

7



IMG-418803

8



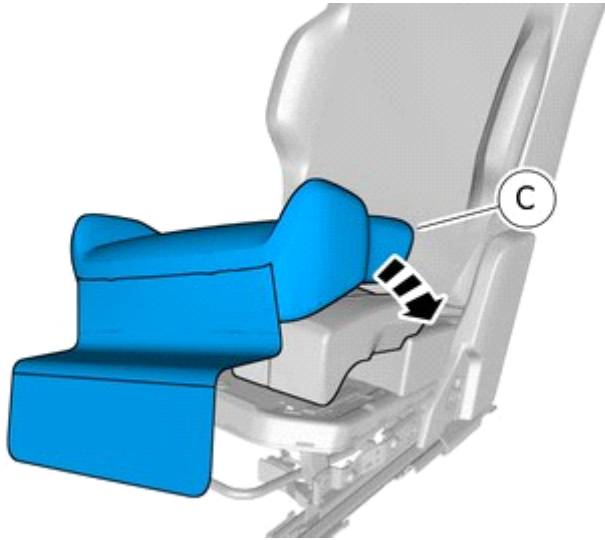
IMG-416152



Installation instructions, accessories

Volvo Car Corporation Gothenburg, Sweden

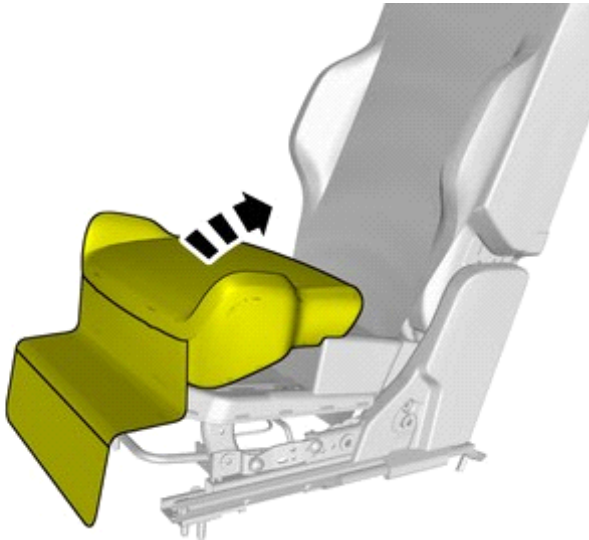
9



Install component that comes with the accessory kit.

IMG-399099

10



A click confirms that the component is in the correct position.

IMG-399098