



# Installation instructions, accessories

Volvo Car Corporation Gothenburg, Sweden

Instruction No	Version	Part. No.
31428088	1.0	31428086

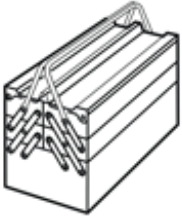
## Combi instruments



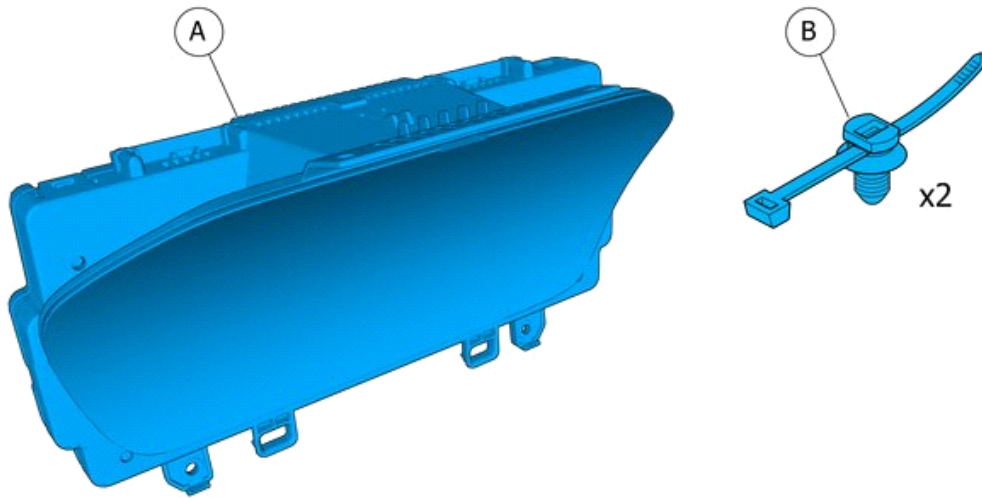
# Installation instructions, accessories

Volvo Car Corporation Gothenburg, Sweden

## Equipment



A0000162



IMG-410385



# Installation instructions, accessories

Volvo Car Corporation Gothenburg, Sweden

## Information

1

Read through all of the instructions before starting installation.

Notifications and warning texts are for your safety and to minimise the risk of something breaking during installation.

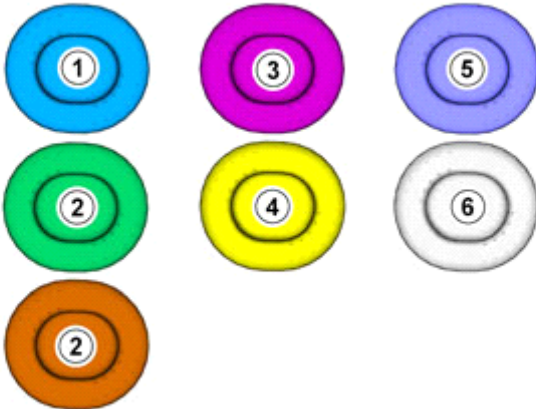
Ensure that all tools stated in the instructions are available before starting installation.

Certain steps in the instructions are only presented in the form of images. Explanatory text is also given for more complicated steps.

In the event of any problems with the instructions or the accessory, contact your local Volvo dealer.

## Color symbols

2



IMG-363036

### Note!

This colour chart displays (in colour print and electronic version) the importance of the different colours used in the images of the method steps.

1. Used for focused component, the component with which you will do something.
2. Used as extra colors when you need to show or differentiate additional parts.
3. Used for attachments that are to be removed/installed. May be screws, clips, connectors, etc.
4. Used when the component is not fully removed from the vehicle but only hung to the side.
5. Used for standard tools and special tools.
6. Used as background color for vehicle components.



# Installation instructions, accessories

Volvo Car Corporation Gothenburg, Sweden

3

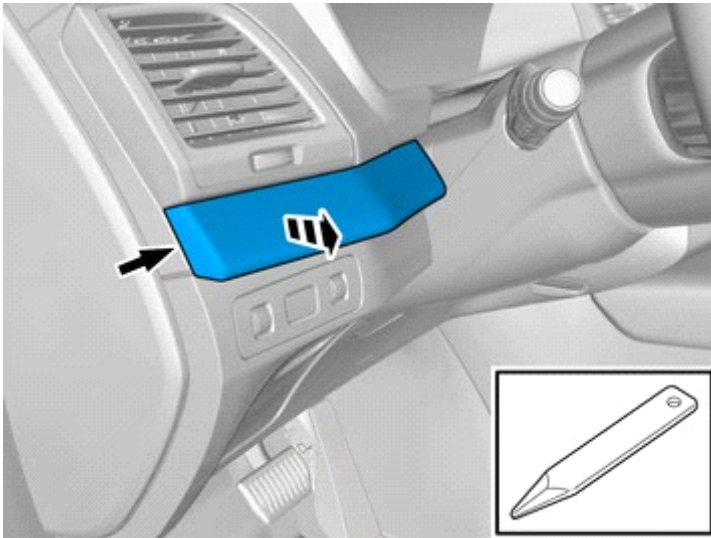


IMG-394535

---

## Removal

4



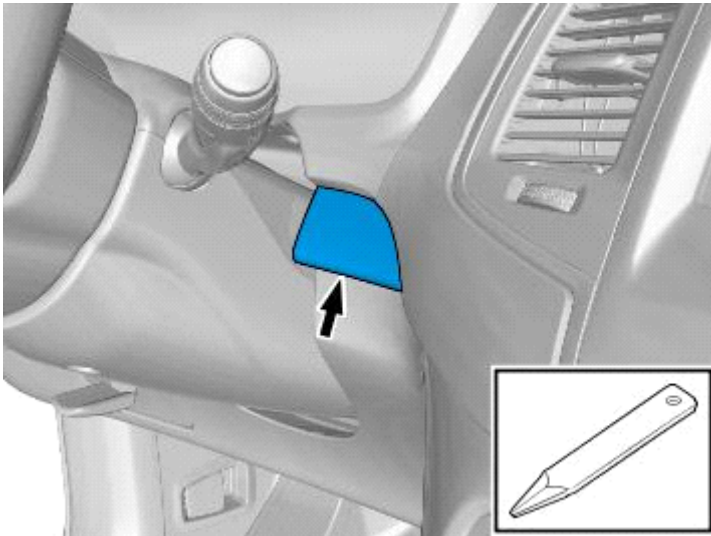
IMG-383623



# Installation instructions, accessories

Volvo Car Corporation Gothenburg, Sweden

5



IMG-383624

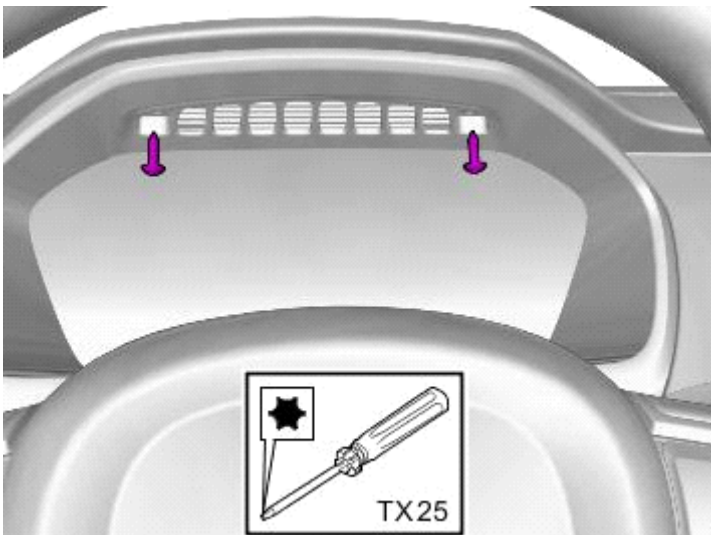
Remove the panel.

6



IMG-383628

7



IMG-383633

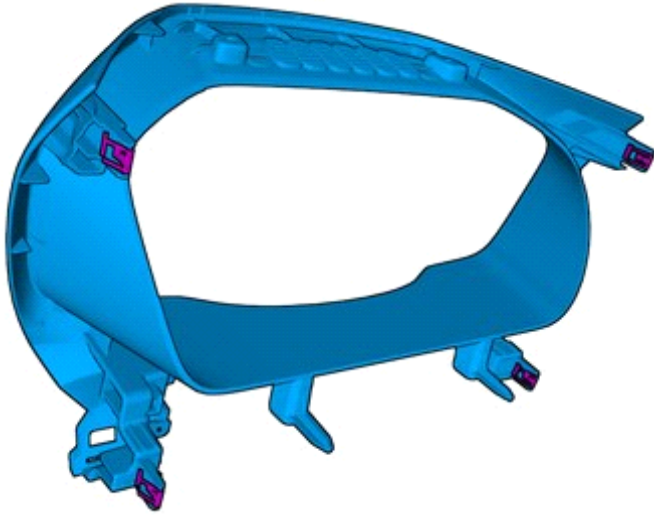
Remove the screws.



# Installation instructions, accessories

Volvo Car Corporation Gothenburg, Sweden

8



IMG-392271

**Note!**

The graphic shows the back of the component before removal.

9

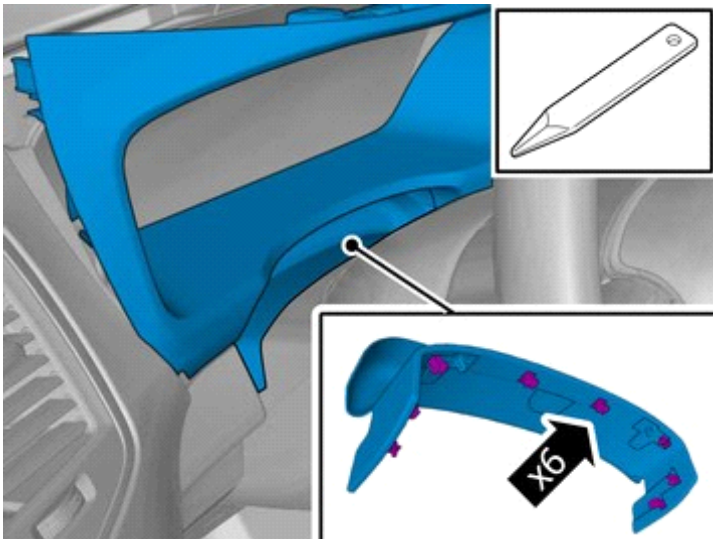


IMG-383634

Remove the marked part.

Use hands only.

10



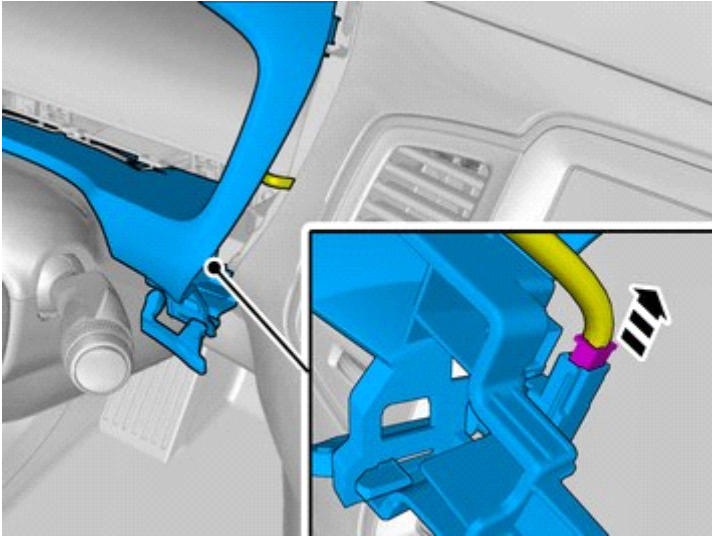
IMG-410560



# Installation instructions, accessories

Volvo Car Corporation Gothenburg, Sweden

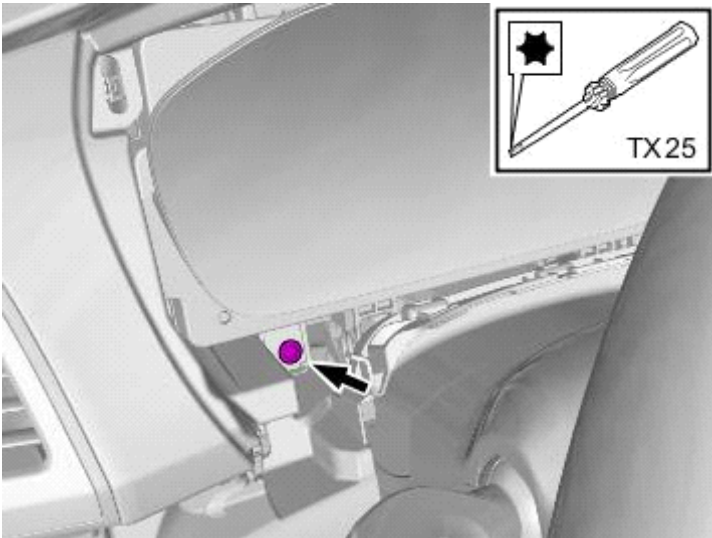
11



IMG-410561

Disconnect the connector.

12



IMG-383629

Remove the screw.

Repeat on the other side.

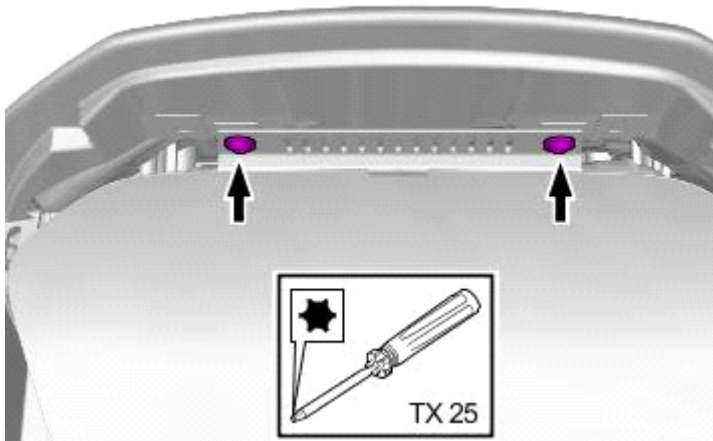


# Installation instructions, accessories

Volvo Car Corporation Gothenburg, Sweden

13

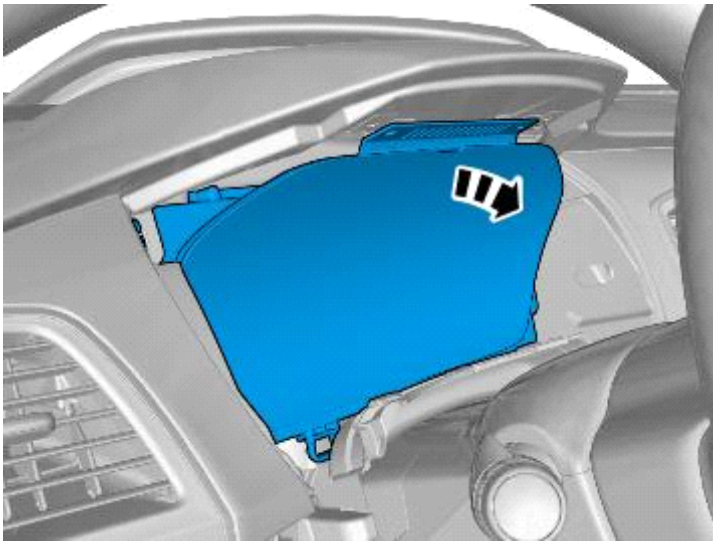
Remove the screws.



IMG-383630

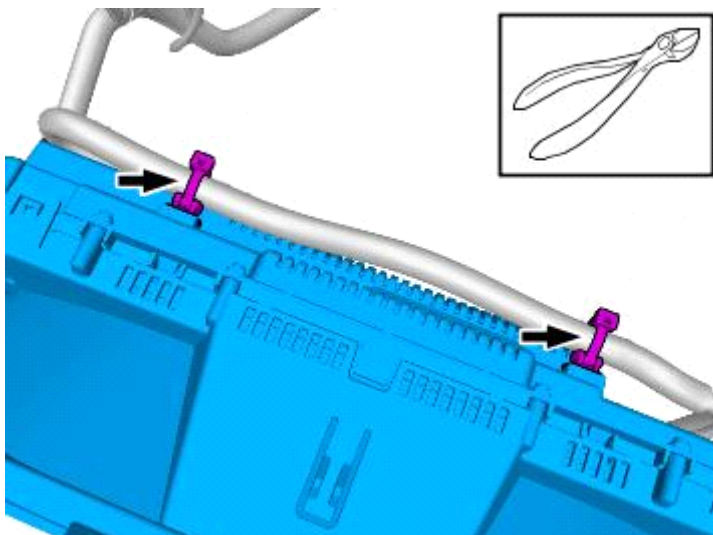
14

Remove the marked part.



IMG-383648

15



IMG-383653

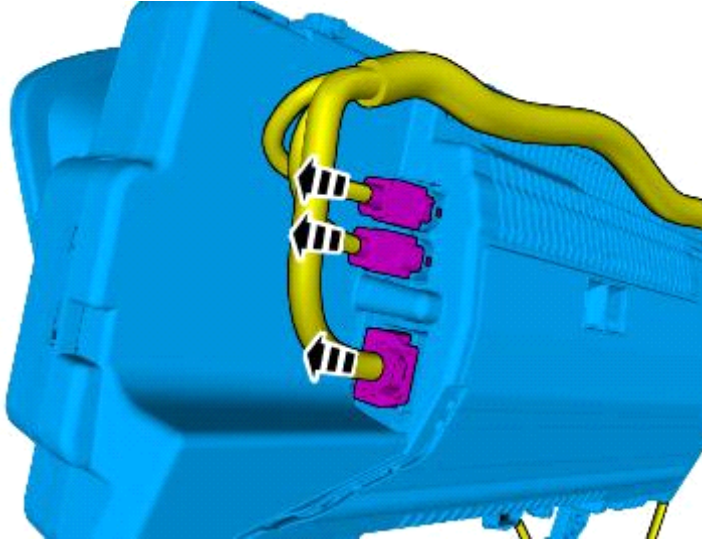




# Installation instructions, accessories

Volvo Car Corporation Gothenburg, Sweden

16

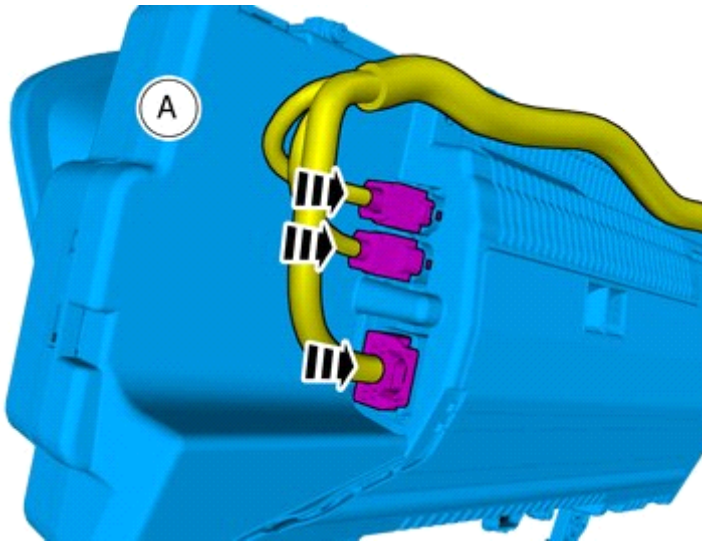


IMG-383654

Disconnect the connectors.

## Accessory installation

17



IMG-410855

Install component that comes with the accessory kit.

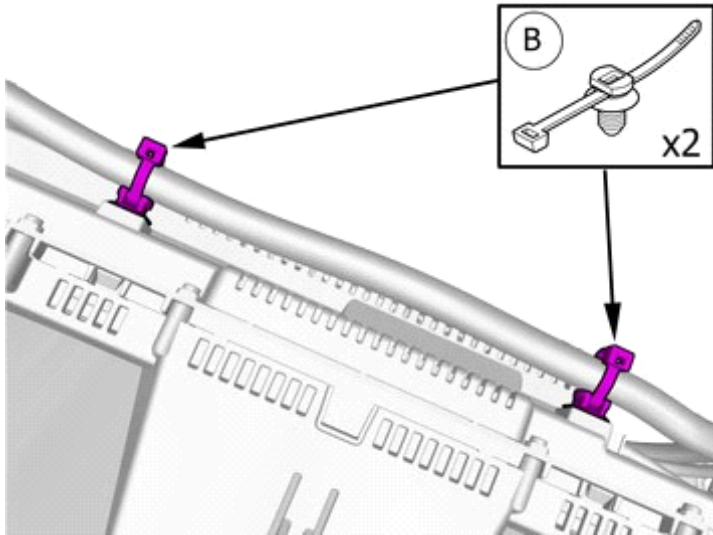
Connect the connectors.



# Installation instructions, accessories

Volvo Car Corporation Gothenburg, Sweden

18



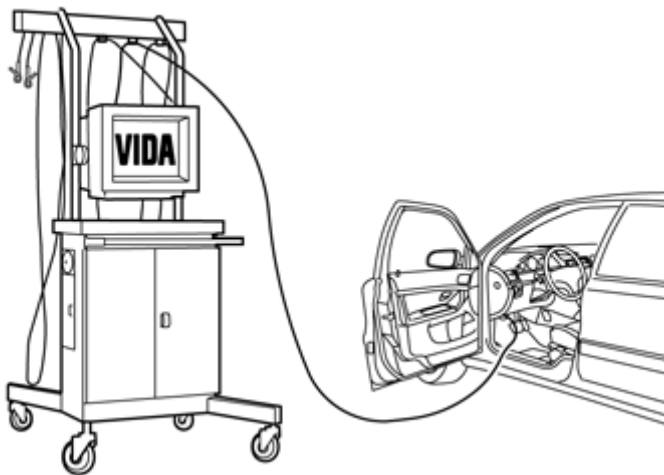
IMG-383963

## Installation

19

Reinstall the removed parts in reverse order.

20



IMG-242268

Download software (application) for the accessory's function according to the service information in VIDA.

**Order and download software according to: 31428091**