



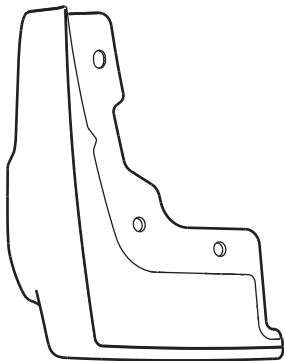
SUBARU

FORESTER SPLASH GUARD FRONT SET

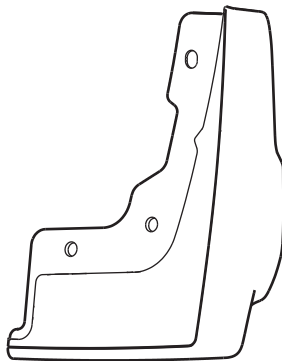
Installation Instruction

Part No. J1010SG251MC

①



②



No.	Part name	Quantity
①	Splash Guard F RH	1
②	Splash Guard F LH	1
③	Push Rivet	6
④	Push Rivet	2
⑤	Trim Clip	4
⑥	Label	1

③



④



⑤



⑥

J1010SG257
FRONT PARTS SET



Remove



Discard

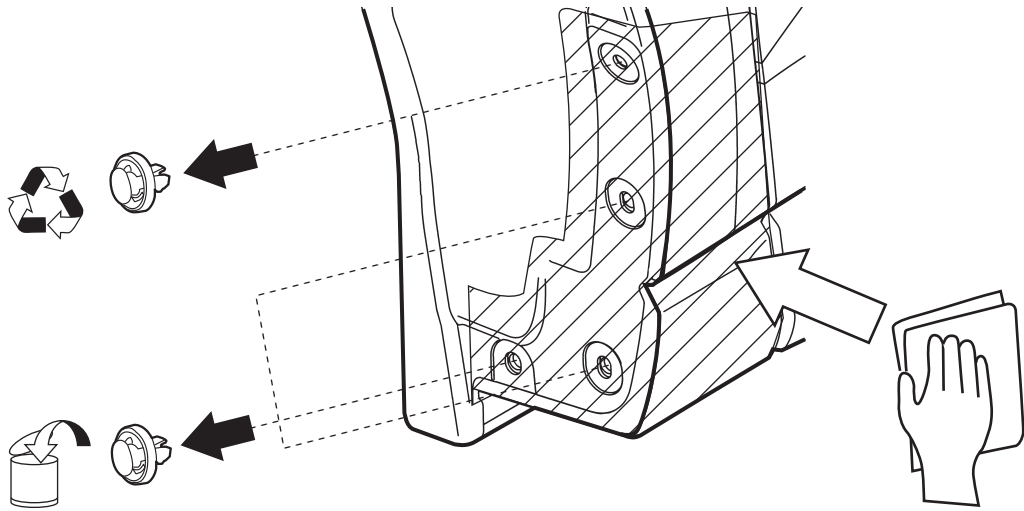


Install



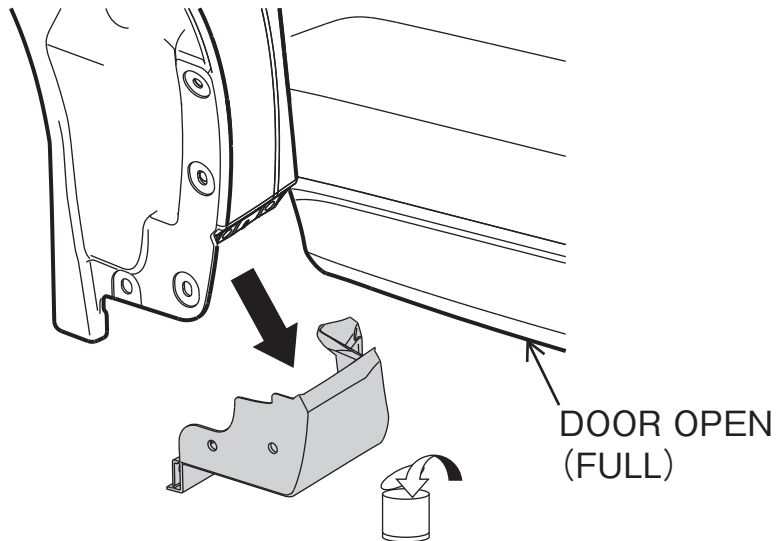
Re-use

1



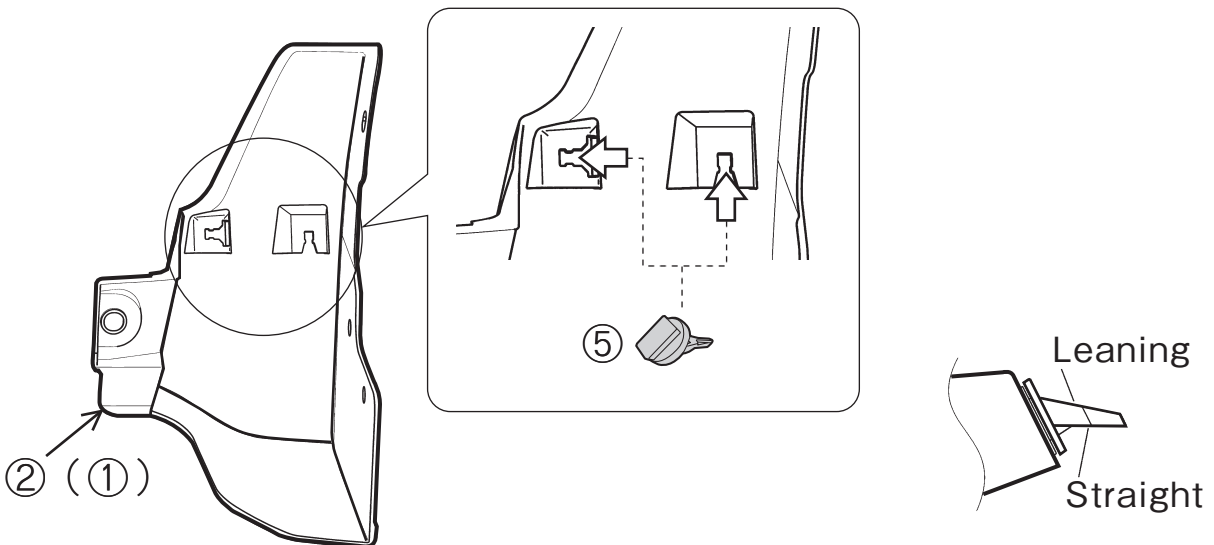
NOTICE Be sure to remove all the clips.

2



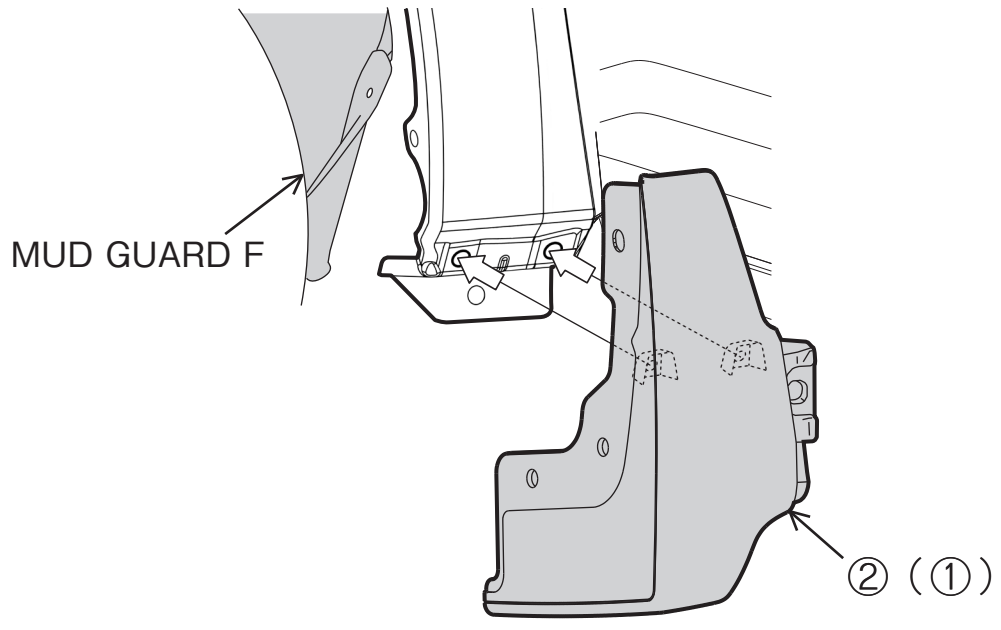
NOTICE Do not leave any clips or double-sided tape on fender.

3

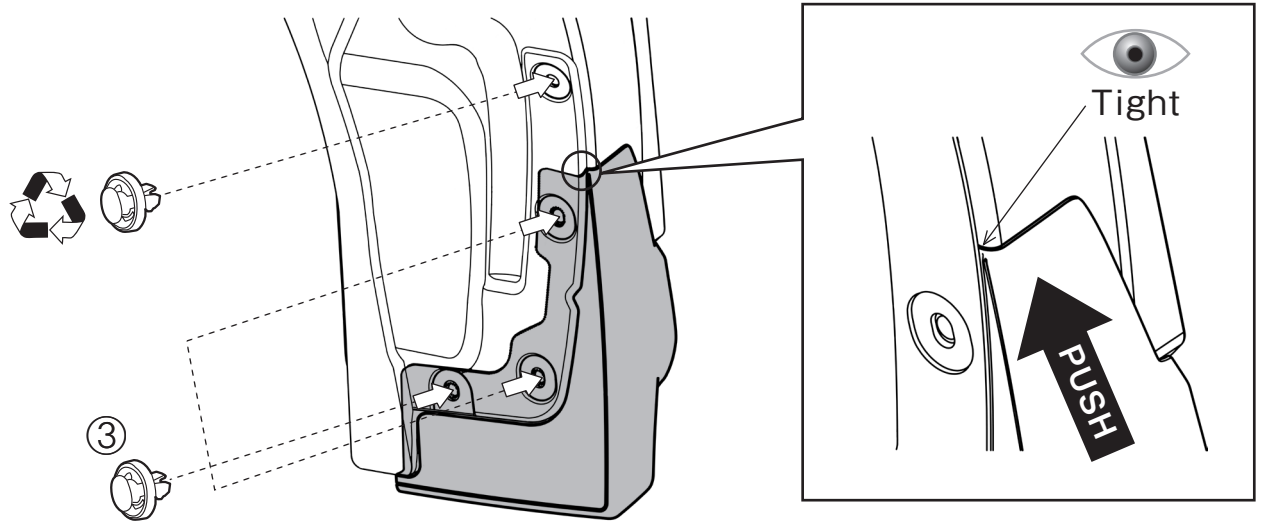


NOTICE Position the clips as shown.

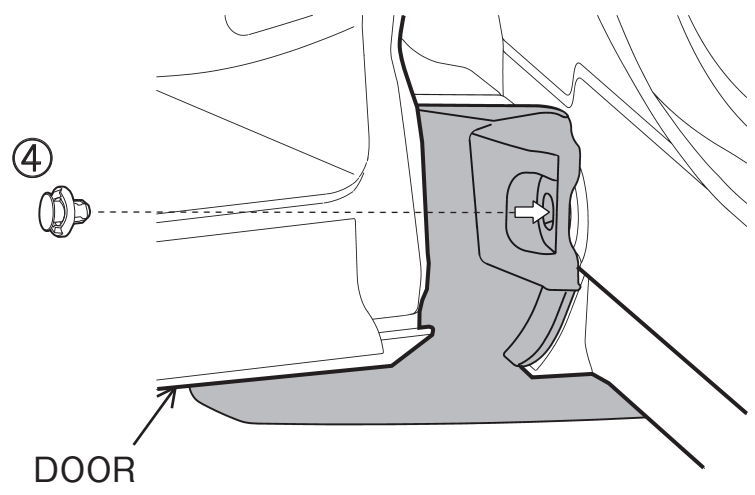
4



5



6





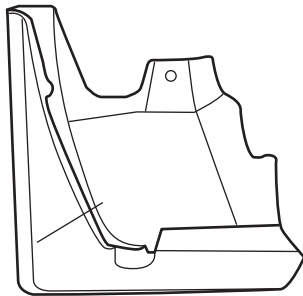
SUBARU

FORESTER SPLASH GUARD REAR SET

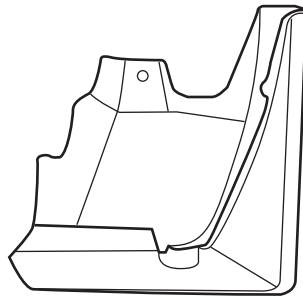
Installation Instruction

Part No. J1010SG254MC

①

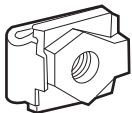


②



No.	Part name	Quantity
①	Splash Guard R-RH	1
②	Splash Guard R-LH	1
③	J-Nut M5	4
④	Bolt M5×20mm	4
⑤	Washer	4
⑥	Push Rivet	2
⑦	Push Rivet	2
⑧	Label	1

③



④



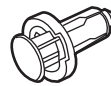
⑤



⑥

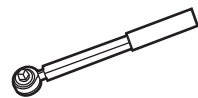


⑦



⑧

J1010SG258
REAR PARTS SET



Remove



Discard

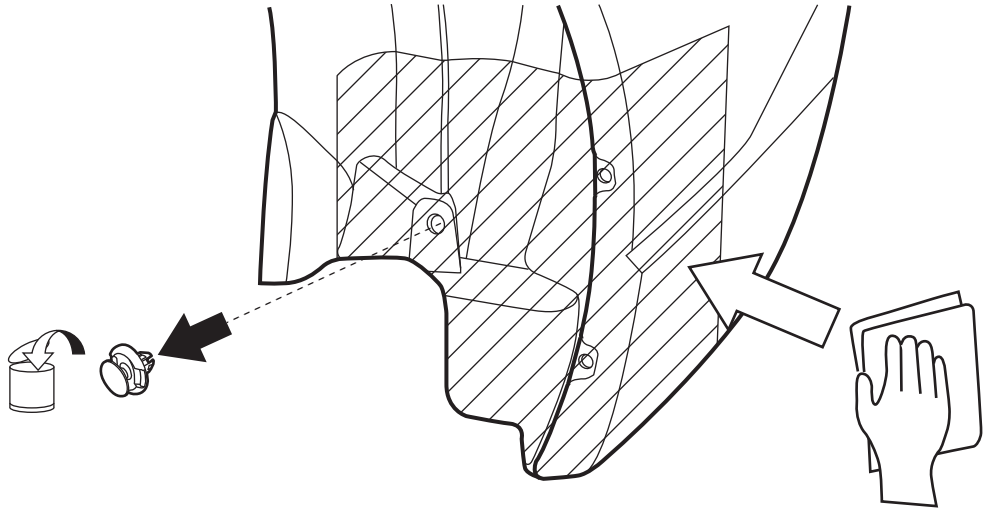


Install

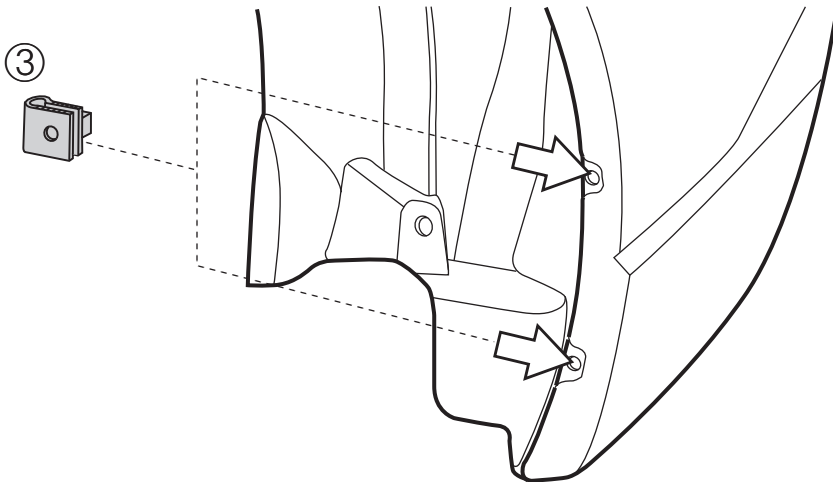
T

Tightening Torque

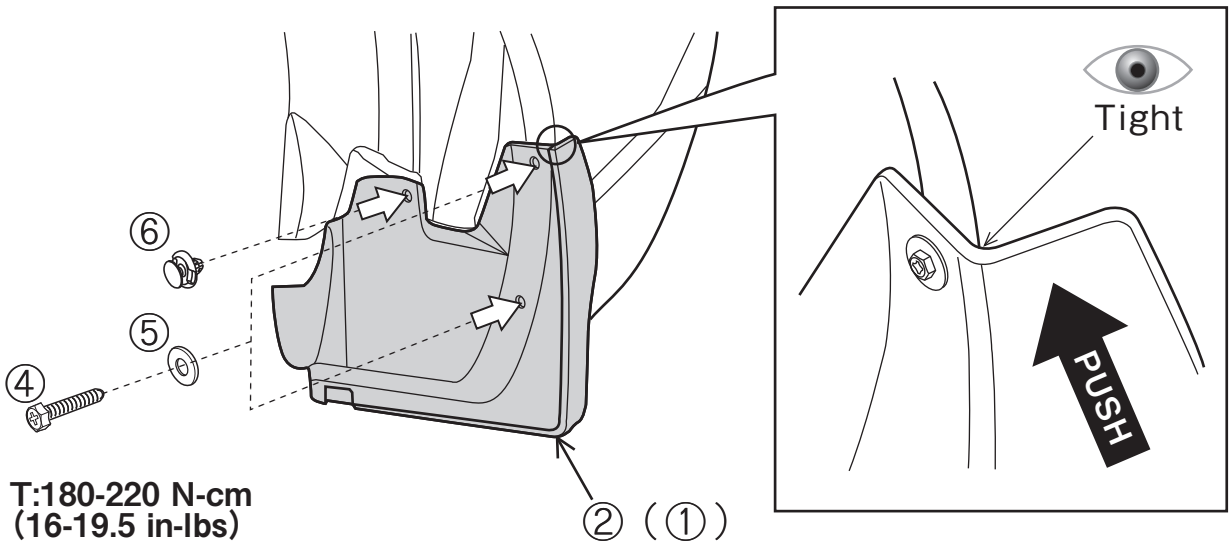
1



2



3



4

