

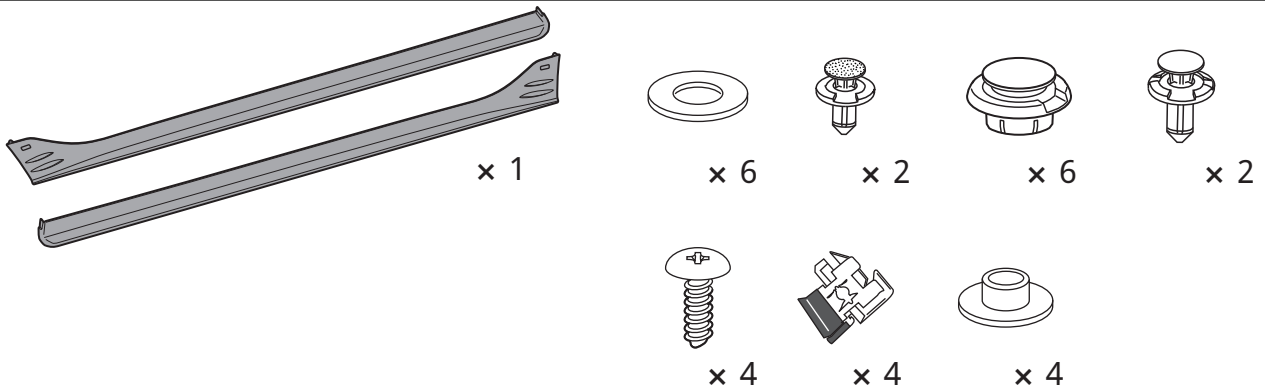
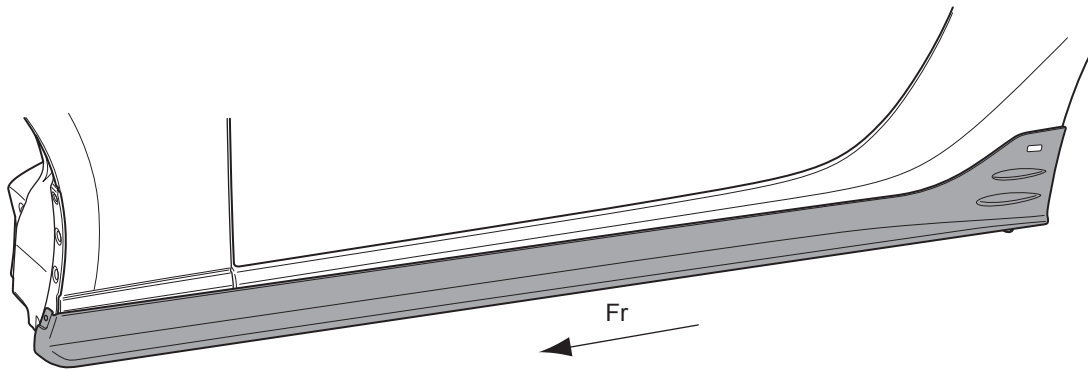


SIDE UNDER SPOILER

Applicable :BRZ (13MY~)  
 INSTALLATION INSTRUCTION  
 GUIDE D'INSTALLATION  
 EINBAUANLEITUNG  
 MANUALE D'INSTALLAZIONE  
 MANUAL DE INSTALACION

PART.No

E2610CA000

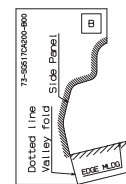
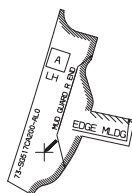
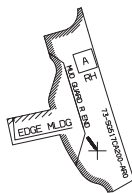


pattern set

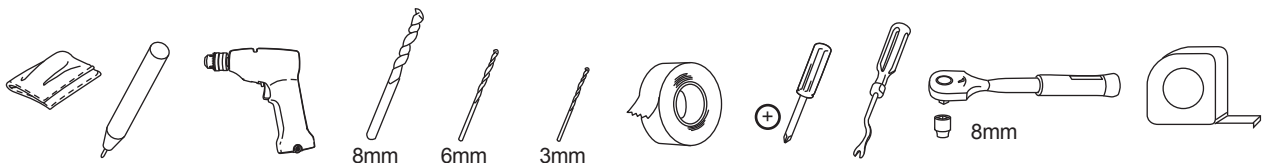
pattern **A** R H

pattern **A** L H

pattern **B**



x 1



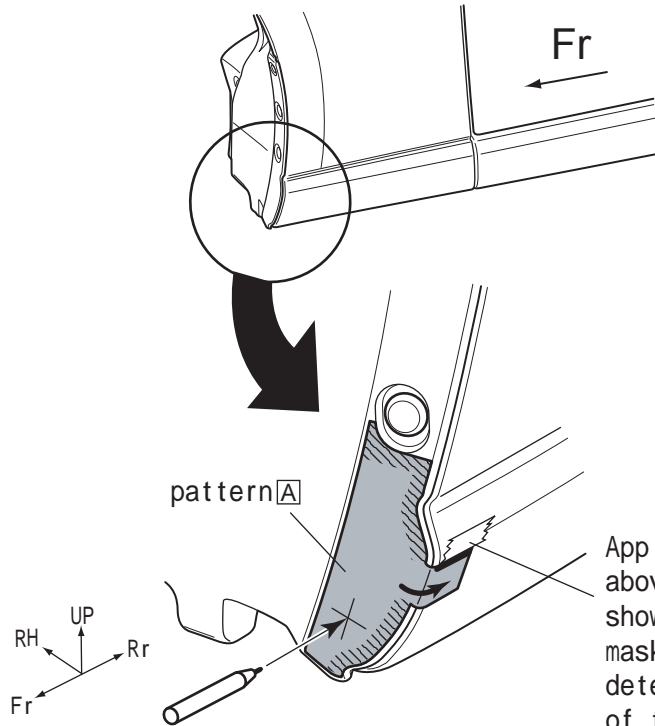
## <CAUTION>

- (1) Perform installation properly according to the procedures indicated in the instruction manual.  
Improper installation can result in damage to your vehicle or serious injury.
  - (2) Be careful when driving after installing this product as ground clearance at the wheel arch and center section is decreased by approximately 1 cm (0.4 inches) and 4 cm (1.6 inches) respectively.
  - (3) Never use gasoline, thinner, acid, alkaline or other organic solvent to clean this product.
  - (4) This product can become deformed if exposed to high heat.
  - (5) Always keep this instruction manual in your vehicle.
- (1) Procédez à la repose correctement conformément aux procédures indiquées dans le manuel d'instructions.  
Toute repose incorrecte peut endommager sérieusement votre véhicule ou provoquer des blessures graves.
  - (2) Faites attention lors de la conduite du véhicule après la repose de ce produit, la garde au sol au niveau du passage de roue et de la section centrale étant réduite d'environ 1 cm (0,4 pouces) et 4 cm (1,6 pouces) respectivement.
  - (3) N'utilisez jamais d'essence, de diluant, de solvant acide, alcalin ou tout autre solvant organique pour nettoyer ce produit.
  - (4) Ce produit peut se déformer s'il est soumis à des températures élevées.
  - (5) Conservez toujours le présent manuel d'instructions dans votre véhicule.
- (1) Führen Sie die Installation exakt nach den Verfahren durch, die in der Bedienungsanleitung beschrieben sind.  
Unschonemäßige Installation kann zu Schäden an Ihrem Fahrzeug oder zu schweren Verletzungen führen.
  - (2) Fahren Sie nach der Installation dieses Produkts vorsichtig, da die Bewegungsfreiheit am Radlauf um ca. 1 cm (0,4 Zoll) und im mittleren Bereich um ca. 4 cm (1,6 Zoll) reduziert ist.
  - (3) Verwenden Sie niemals Benzin, Verdünner, Säuren, Laugen oder andere organische Lösungsmittel zur Reinigung dieses Produkts.
  - (4) Dieses Produkt kann sich bei starker Hitze verformen.
  - (5) Bewahren Sie diese Bedienungsanleitung immer in Ihrem Fahrzeug auf.
- (1) Realice la instalación correctamente según los procedimientos que se indican en el manual de instrucciones.  
La instalación incorrecta puede provocar daños en su vehículo o lesiones graves.
  - (2) Tenga cuidado cuando conduzca después de instalar este producto, debido a que la distancia libre al suelo en el arco de la rueda y la sección central disminuye aproximadamente 1 cm (0,4 pulgadas) y 4 cm (1,6 pulgadas), respectivamente.
  - (3) No utilice nunca gasolina, diluyente, ácido, productos alcalinos u otros disolventes orgánicos para limpiar este producto.
  - (4) Este producto puede deformarse si se expone a una fuente de calor elevado.
  - (5) Guarde este manual de instrucciones en su vehículo en todo momento.
- (1) Eseguì l'installazione correttamente in base alle procedure indicate nel manuale di istruzioni.  
Una errata installazione può causare danni al veicolo o lesioni gravi.
  - (2) Prestare attenzione durante la guida dopo l'installazione di questo prodotto in quanto è stata ridotta la distanza da terra sul passaruota e sulla sezione centrale rispettivamente di circa 1 cm (0,4 pollici) e 4 cm (1,6 pollici).
  - (3) Non usare benzina, solventi, acidi, alcalini o altri solventi organici per pulire questo prodotto.
  - (4) Questo prodotto potrebbe deformarsi se esposto a calore eccessivo.
  - (5) Conservare sempre questo manuale di istruzioni all'interno del veicolo.
- (1) Выполните установку в соответствии с инструкциями в руководстве.  
Неправильная установка может привести к повреждению вашего автомобиля или серьезной травме.
  - (2) Будьте осторожны при вождении автомобиля после установки данного изделия, поскольку клиренс колесной арки и по центру уменьшается приблизительно на 1 см (0,4 дюйма) и 4 см (1,6 дюйма) соответственно.
  - (3) Ни в коем случае не используйте для чистки данного изделия бензин, растворитель, кислоту, щелочь или другие органические растворители.
  - (4) Под воздействием высокой температуры данное изделие может деформироваться.
  - (5) Всегда держите данное руководство в вашем автомобиле.
- (1) 请根据安装指导说明书中所述的步骤正确进行安装。  
安装不当会导致车辆损坏或严重伤害事故。
  - (2) 安装本产品后请小心驾驶，因为车轮拱罩和中央部分的离地间隙分别减少了约 1 cm (0.4 inch) 和 4 cm (1.6 inch)。
  - (3) 切勿使用汽油、稀释剂、酸、碱或其他有机溶剂清洁本产品。
  - (4) 本产品处于高温状态下可能会变形。
  - (5) 请始终将本安装指导说明书存放在您车中。

**NOTE:**

- Do not wash the vehicle for 24 hours following installation of this product.
- If this product requires cleaning after installation, wipe with a soft cloth or sponge with mild detergent and wipe thoroughly with a dry cloth. Do not use gasoline, thinner, acid, alkaline or other solvent based products.
- The recommended adhesive surface temperature range is 77°F - 104°F (25 - 40 ).
- If the surface temperature is below 60 F (15 ), heat the double sided tape and bumper surface to a temperature of 77°F - 104°F (25 - 40 ).
- This instruction shows only LH side. Please repeat the steps on RH side.

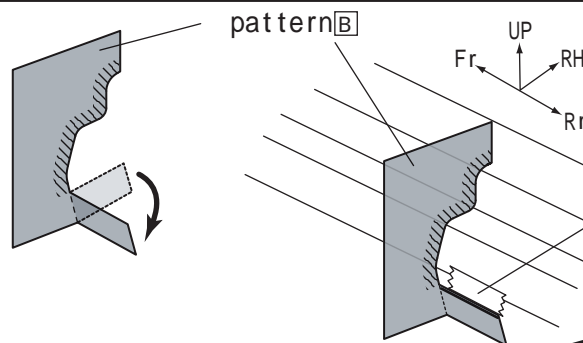
1



Apply a piece of masking tape above pattern A's small flap as shown in the image. This piece of masking tape will be used to determine the vertical position of the under spoiler.

Attach pattern A to the Mud Guard.

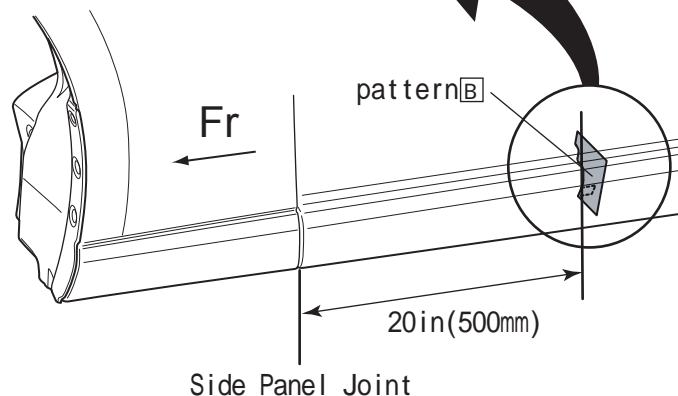
2



Apply a piece of masking tape above pattern B as shown in the image. This piece of masking tape will be used to determine the vertical position the under spoiler.

Open the vehicle door and position pattern B approximately 500mm from the side panel joint and then bend pattern B as shown in the image.

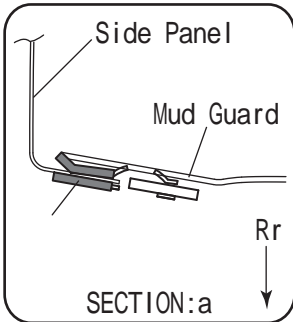
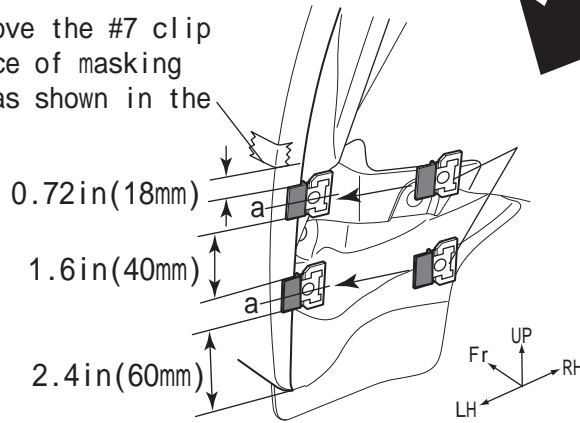
Note: For the RH side, bend pattern B so that the small tab also faces the rear of the vehicle.



3



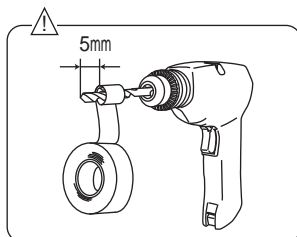
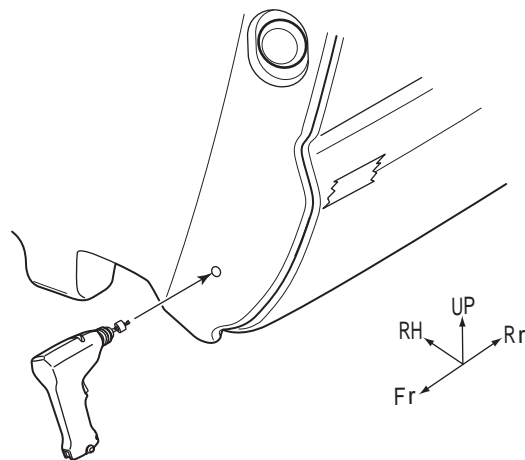
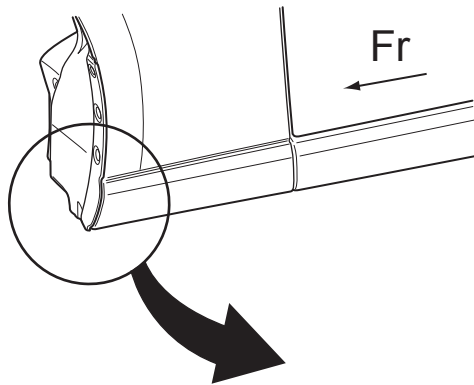
Mersure 18mm above the #7 clip and apply a piece of masking on the vehicle as shown in the image.



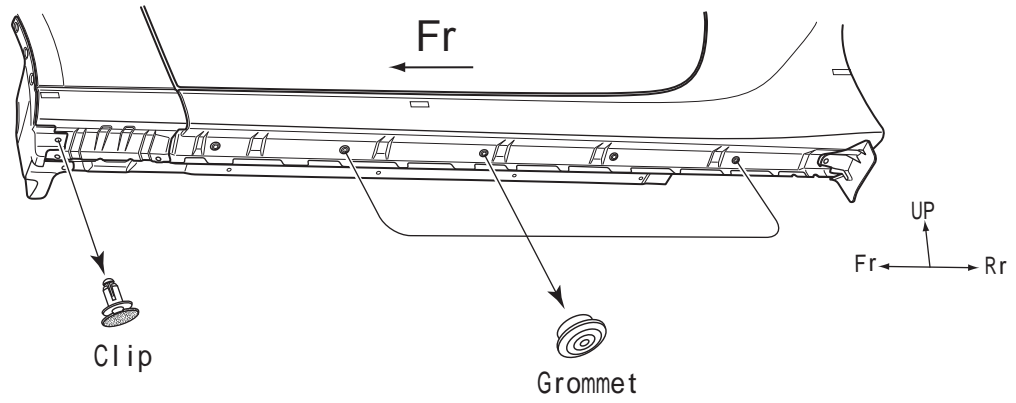
Refer to the image insert to the vehicle side panel.

4

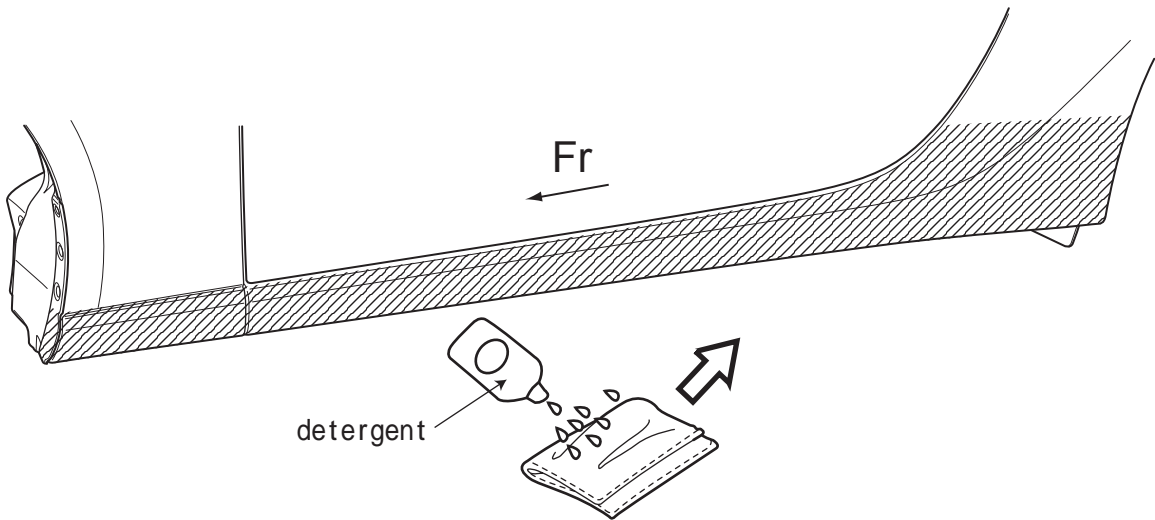
**Tip:** Turn steering wheel to opposing side to provide enough clearance for drilling.



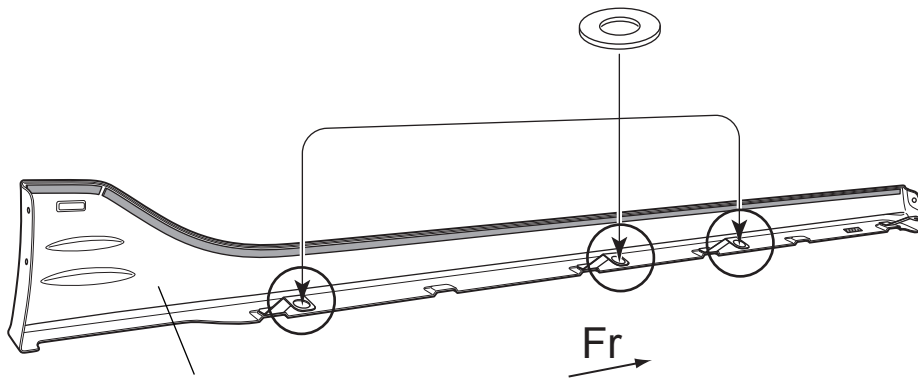
5



6

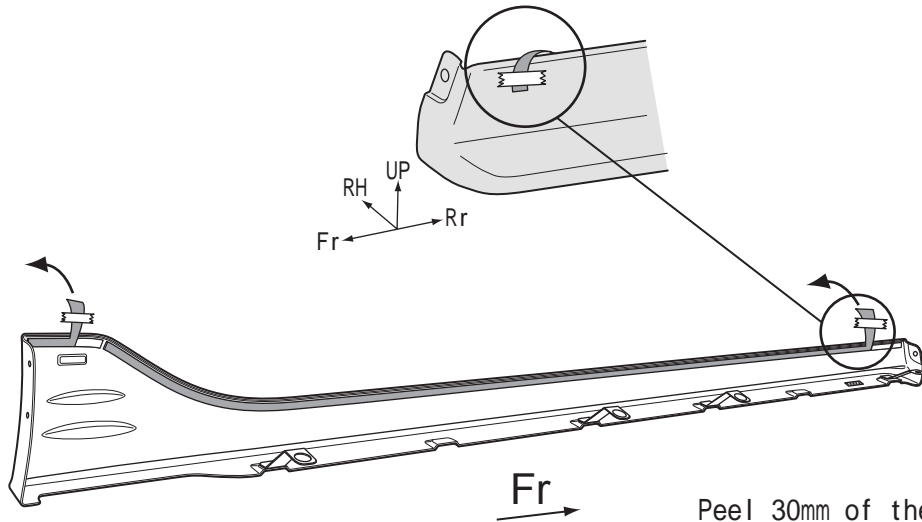


7



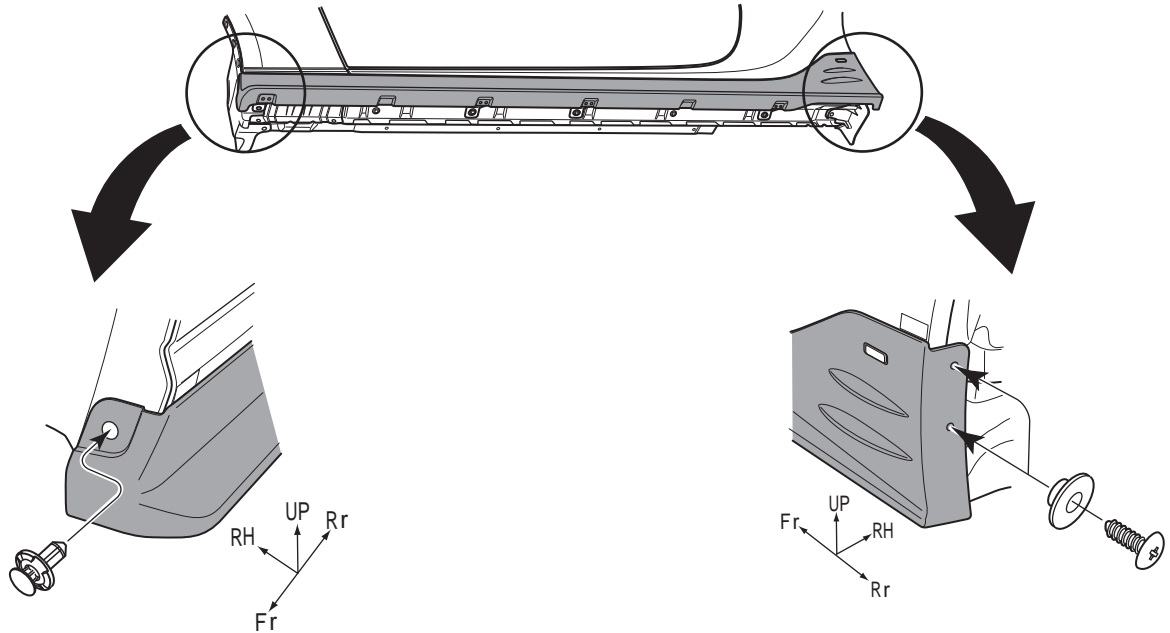
Attach to the 3 brackets on the side under spoiler.

8



Peel 30mm of the tape liner, and seal with tape on the outside of the Side under spoiler.

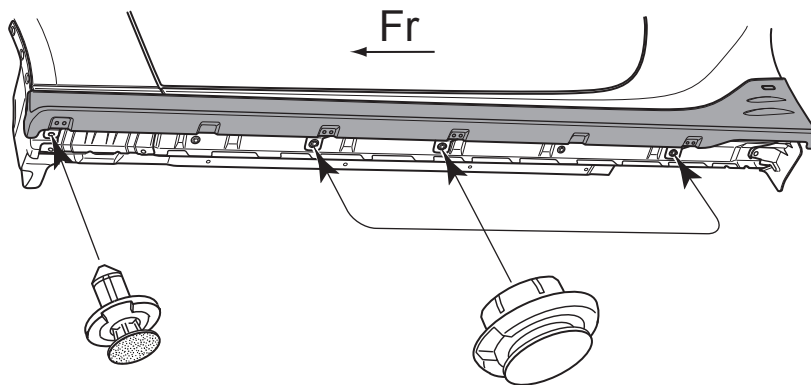
9



Please use new clip included in this kit.

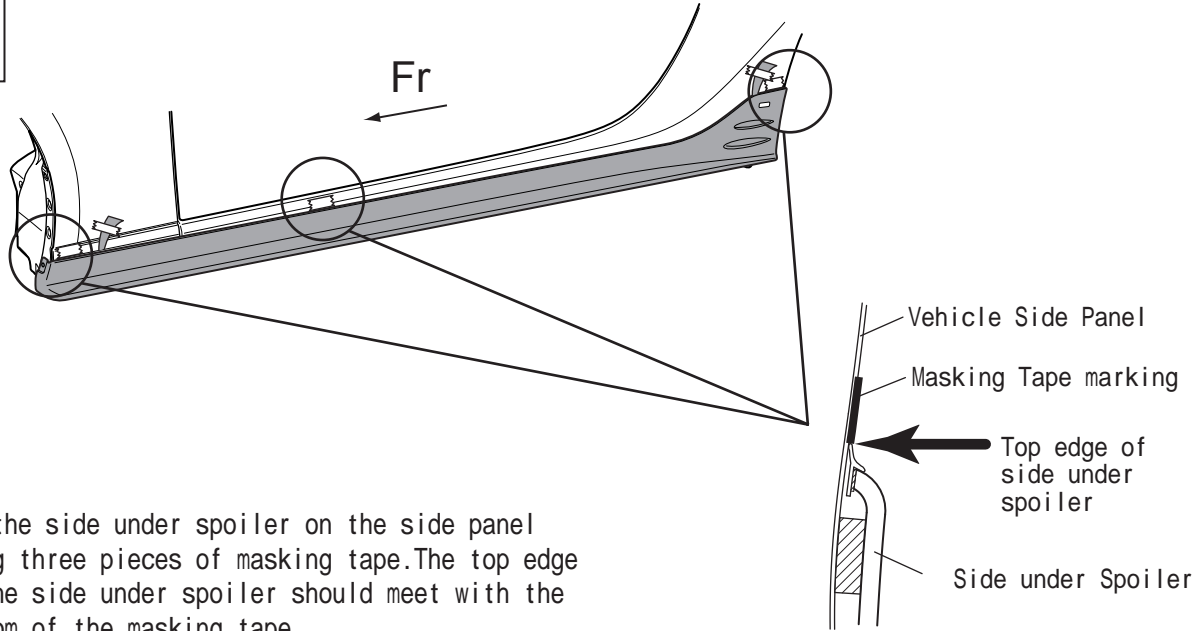
Tighten the screws temporarily.

10



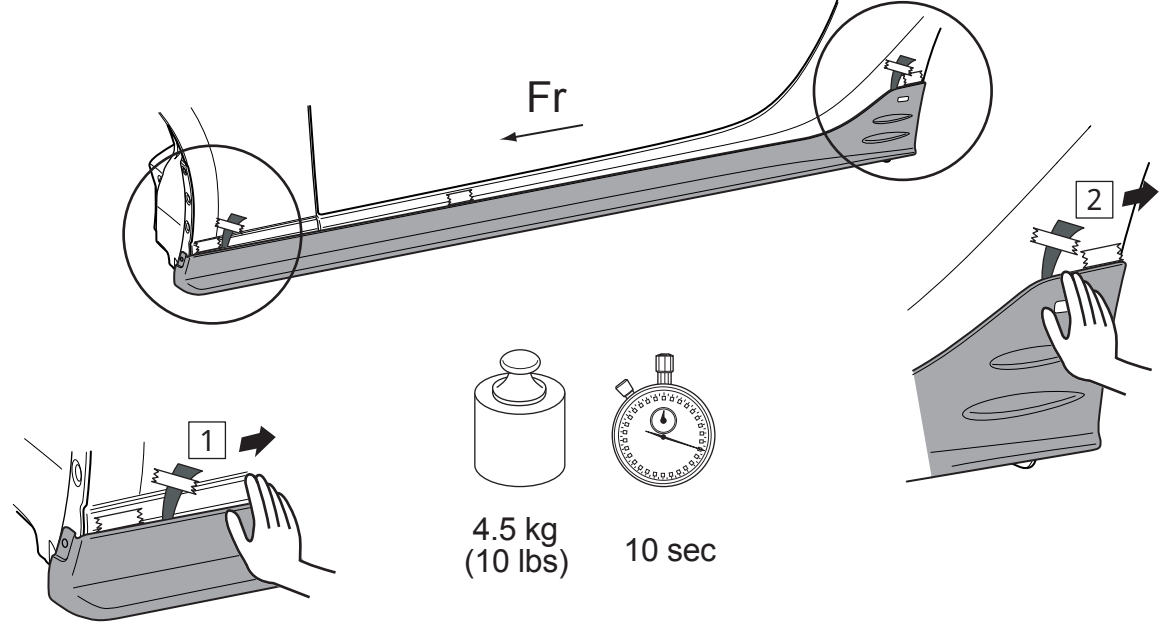
Please use new clip included in this kit.

11



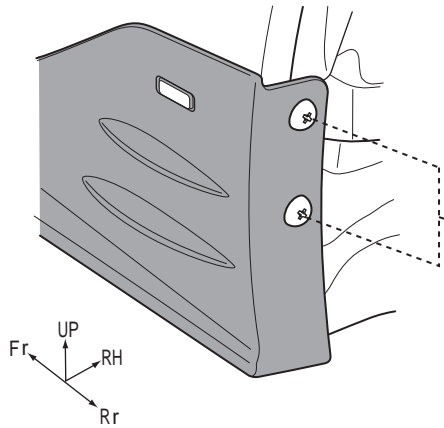
Set the side under spoiler on the side panel along three pieces of masking tape. The top edge of the side under spoiler should meet with the bottom of the masking tape.

12



4.5 kg  
(10 lbs)      10 sec

13



2.0 N·m (17.7 in-lbs)  
Tighten the screws completely.

Next Step:  
Remove all piece of masking tape.