



# GENUINE PARTS



## INSTALLATION INSTRUCTIONS

**DESCRIPTION:** Air Bag Anti-Theft Bolt M8 & M6, Air Bag Anti-Theft Nut M6

**APPLICATION:**

**Driver Side Airbag Anti-Theft Bolt P/N 999L2 AL000**

**Nissan:** 350Z, 370Z, Altima (2000~12), Altima Cpe, Armada, Frontier (2001~04), GT-R, Maxima, Murano, NV, Pathfinder (2001~04, 2013~), Quest, Rogue, Sentra (2000~12), Titan, Xterra (2001~04), Juke, Leaf

**Infiniti:** EX, FX35, FX45, FX50, G35, G37, I30, I35, JX35, M35, M37, M45, M56, Q40, Q45, Q70, QX4, QX50, QX56, QX60, QX70, QX80

**Passenger Side Airbag Anti-Theft Bolt P/N 999M1 AD000**

**Nissan:** 200SX, 240SX, 350Z, 370Z, Altima, Altima Cpe, Frontier (1999~2004), GT-R, Maxima, Murano, NV, NV200, Pathfinder (1997~2004, 2013~), Quest (2011~), Rogue, Sentra, Xterra (2000~04), Leaf (2013~)

**Infiniti:** EX, FX35, FX45, FX50, G20, G35, G37, I30, I35, J30, JX35, M35, M37, M45, M56, Q40, Q45, Q70, QX4, QX50, QX60, QX70

**Passenger Side Airbag Anti-Theft Nut P/N 999W5 AQ000**

**Nissan:** Armada, Frontier (2005~), Pathfinder (2005~2012), Quest (2004~09), Titan, Xterra (2005~), Juke, Leaf (2011~2012)

**Infiniti:** QX56, QX80

**PART NUMBER:** 999L2 AL000, 999M1 AD000, 999W5 AQ000

**KIT CONTENTS:** Anti-theft air bag lock (For Dealer Purchase Only)

Item	Qty.	Part Description	Service Part Number
	<b>1</b>	<b>Driver Side Airbag Anti-Theft Bolt (M6)</b>	<b>999L2 AL000</b>
A	10	Lock Bolt M6	---
D	1	Installation Instruction Replacement Template	999V2 AW000
	<b>1</b>	<b>Passenger Side Airbag Anti-Theft Bolt (M8)</b>	<b>999M1 AD000</b>
B	10	Lock Bolt M8	---
D	1	Installation Instruction Replacement Template	999V2 AW000
	<b>1</b>	<b>Passenger Side Airbag Anti-Theft Nut (M6)</b>	<b>999W5 AQ000</b>
C	10	Lock Nut M6	---
D	1	Installation Instruction Replacement Template	999V2 AW000

**TOOLS REQUIRED:**

**M6 BOLT:**

- 1/4" Drive ratchet & extension
- 1/4" Drive pin Torx T30 socket
- 10mm hex deep well socket
- 1/4" Drive torque wrench  
50-150 in-lb (5.6~16.9Nm) range
- Master Key Set  
(KENT-MOORE P/N J-44615)
- Flat blade screwdriver

**M8 BOLT:**

- 3/8" Drive ratchet & extension
- 3/8" Drive 12mm hex socket
- 3/8" Drive torque wrench  
10-20 ft-lb (13.5~27.1Nm) range
- Master Key Set  
(KENT-MOORE P/N J-42057)
- Phillips screwdriver

**M6 NUT:**

- 1/4" Drive ratchet & 8" extension
- 1/4" Drive 10mm hex deep well socket
- 1/4" to 3/8" univ. socket adapter
- 1/4" Drive torque wrench  
50-150 in-lb (5.6~16.9Nm) range
- Master Key Set  
(KENT-MOORE P/N J-42057-UPD)

**NOTE:**

1. See applicable vehicle service manual for additional tools required to gain access to air bag module.
2. Airbag anti-theft bolt Master Key Sets are service tools that are only available to franchised INFINITI/NISSAN dealers.
3. Due to special tool and service manual availability, this accessory is for dealer installation only.

## 6. INSTALLATION PREPARATION:

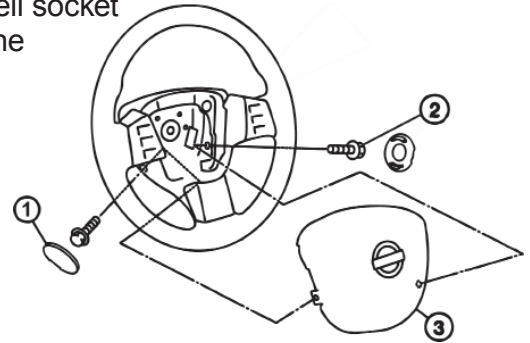
1. Make sure ignition is in the off position.
2. Record pre-set radio stations.
3. 350Z, 370Z and G35/37C. Lower side windows before disconnecting vehicle battery. If windows are not lowered, window damage will occur.
4. Disconnect battery ground cable.
5. Utilize the vehicle specific service manual for trim removal sequence.
6. Wait at least 3 minutes before starting the next procedure.

## CAUTION

**350Z, 370Z and G35/37C.** Installation:  
Ensure that windows are lowered prior to disconnecting battery. Window damage can occur if not lowered.

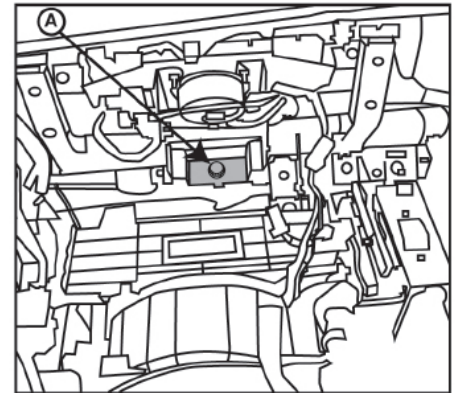
## 7. INFINITI / NISSAN DRIVER SIDE AIR BAG ANTI-THEFT BOLT INSTALLATION (one bolt)

1. Remove one of the side access covers from the side of the steering wheel hub.
2. Use a tamper resistant T30 Torx drive socket or 10mm hex deep well socket to remove only one of the bolts securing the air bag module from the side of the steering wheel.
3. Select a key from the air bag master key set (J-44615) which matches the pattern of the air bag anti-theft bolt.
4. By hand, install the security bolt in place of the air bag screw removed in step 2.
5. Use a torque wrench to tighten the security bolt. (See Vehicle Service Manual for installation torque specification.)
6. Replace access cover back of steering wheel.



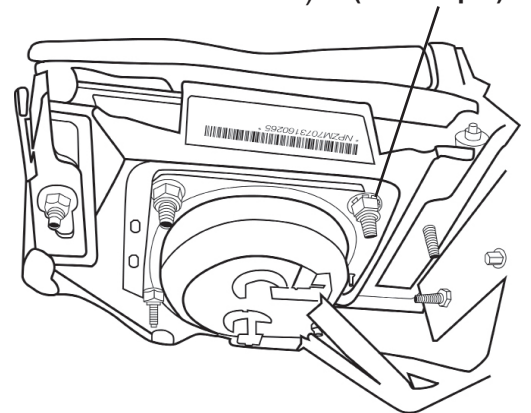
## 8. INFINITI / NISSAN PASSENGER SIDE AIR BAG ANTI-THEFT BOLT INSTALLATION (one bolt)

1. Remove necessary panels to gain access to the air bag module. (Refer to service manual).
2. Remove one hex bolt from the mounting bracket. (See Vehicle Service Manual for socket size)
3. Select a key from the air bag master key set (J-42057) which matches the pattern of the air bag bolt.
4. By hand, install the security bolt in place of the air bag bolt removed in step 2.
5. Use a torque wrench to tighten the security bolt. (See Vehicle Service Manual for applicable installation torque.)
6. Replace panels removed in step 1.
7. Reconnect battery ground cable.
8. Reset radio stations and clock.



## 9. INFINITI / NISSAN PASSENGER SIDE AIR BAG ANTI-THEFT NUT INSTALLATION (one nut)

1. Remove necessary panels to gain access to the air bag module. (Refer to service manual). (See Step 2)
2. Remove one hex nut from the mounting bracket. (See Vehicle Service Manual for socket size)
3. Select a key from the air bag master key set (J-42057-UPD) which matches the pattern of the air bag nut.
4. By hand, install the security nut in place of the air bag nut removed in step 2.
5. Use a torque wrench to tighten the security nut. (See Vehicle Service Manual for applicable installation torque.)
6. Replace panels removed in step 1.
7. Reconnect battery ground cable.
8. Reset radio stations and clock.



## 10. CONTENTS DECAL INSTALLATION:

1. Apply the contents decal to the inside surface of the driver side glass directly above the exterior door handle.