



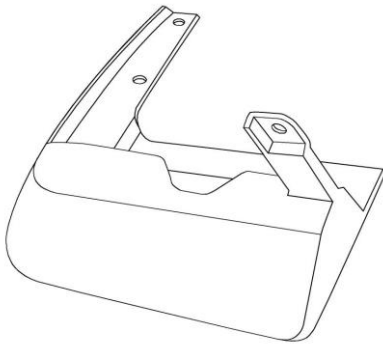
# GENUINE PARTS

## INSTALLATION INSTRUCTIONS

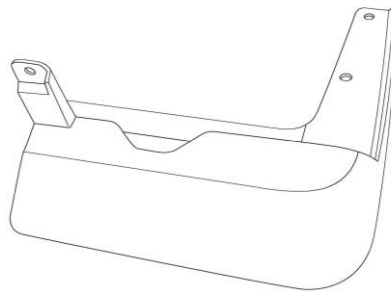
<b>DESCRIPTION:</b>	Splash Guard-Front
<b>APPLICATION:</b>	Pathfinder
<b>PART NUMBER:</b>	999J2 XZ003

**KIT CONTENTS:**

Item	Qty.	Part Description	Service Part Number
A	1	Splash Guard - Front Left	N/A
B	1	Splash Guard - Front Right	N/A
C	6	Phillips Head Screw M5 x 20mm	14-51 00891
E	1	Installation Instruction Replacement Template	999V2 AW000



A



B



C



D

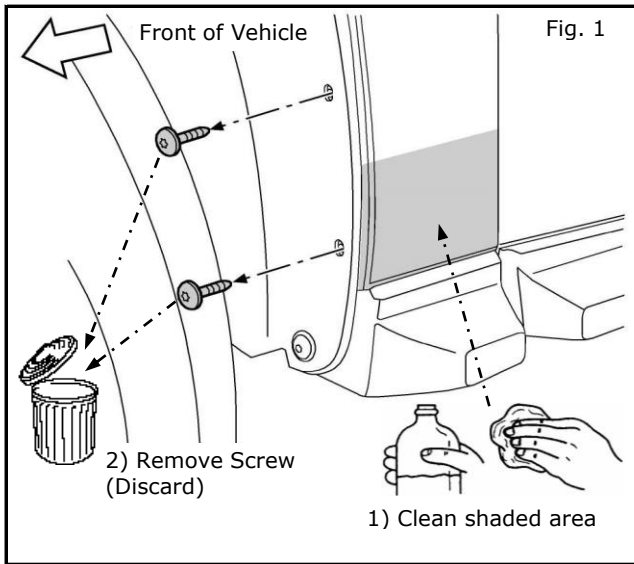
**TOOLS REQUIRED:**

- Mild soap / water mixture
- Clean Rag
- #2 phillips screw driver
- T20 torx driver

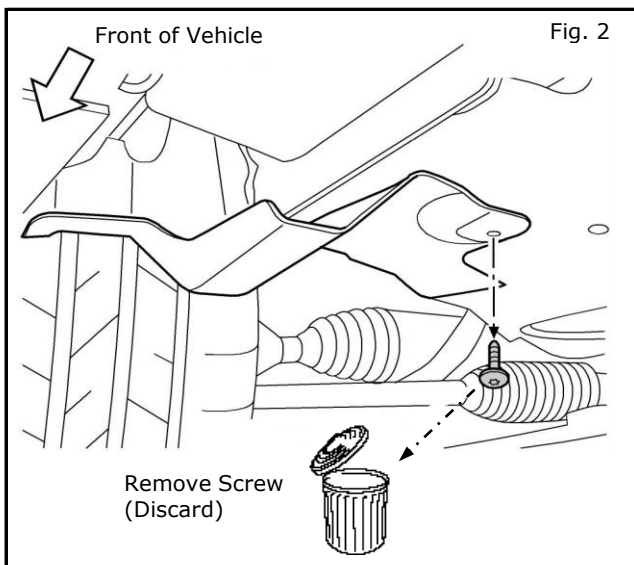
**PRE-INSTALLATION WARNINGS, CAUTIONS, CRITICAL STEPS, and NOTES:**

- These installation instructions are for the left side of the vehicle; the same procedure applies to the right side.
- Dealer Installation Recommended.

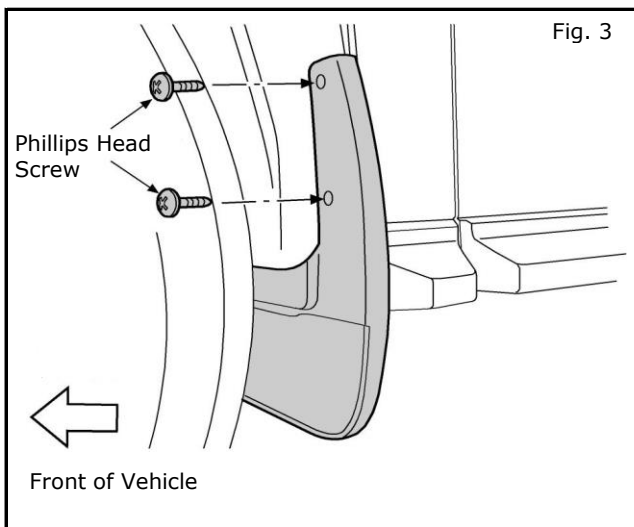
## INSTALLATION PROCEDURE:



- 1) Clean installation surface (shaded area) with mild soap/water mixture.
- 2) Remove 2 screws and discard.



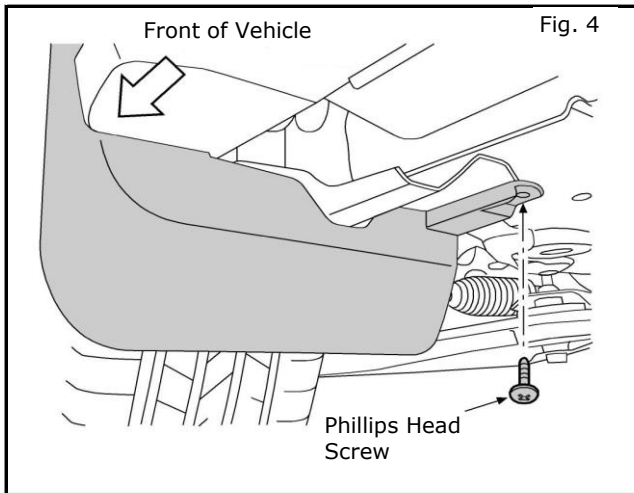
- 3) Remove bottom screw and discard.



- 4) Align splash guard to vehicle and loosely install two phillips head screws.

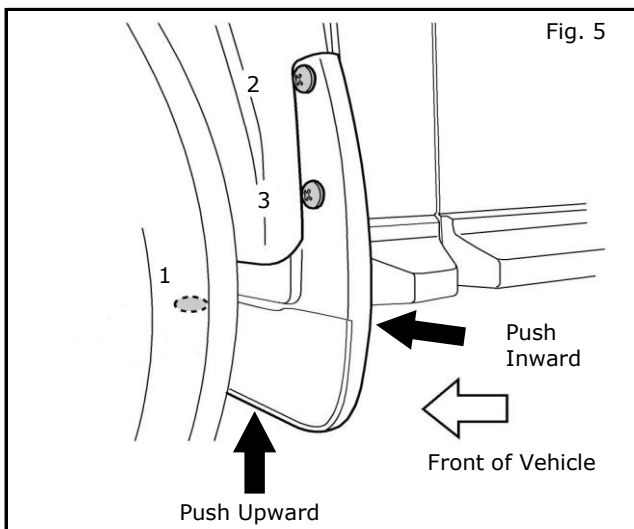
**NOTE:**  
**Do not tighten screws at this time.**

**INSTALLATION PROCEDURE:** (continue)



- 5) Loosely install phillips head screw at bottom location.

**NOTE:**  
**Do not tighten screws at this time.**



- 6) Push splash guard upward and inward towards vehicle and tighten screws in sequence shown.

**NOTE:**  
**Do not over tighten screws. Reference Tighten Torque: 3.8~4.4N-m {34~39 in-lb}**

- 7) Repeat for passenger side of vehicle.