



## GENUINE PARTS

### INSTALLATION INSTRUCTIONS

**DESCRIPTION:** Side Window Deflector

**APPLICATION:** Juke (2011)

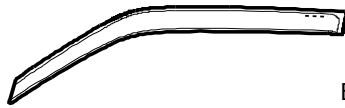
**PART NUMBER:** H0800-1KM00

#### KIT CONTENTS:

Item	Qty.	Part Description	Service Part Number
A	1	Front Door Side Window Deflector - RH	---
B	1	Front Door Side Window Deflector - LH	---
C	1	Rear Door Side Window Deflector - RH	---
D	1	Rear Door Side Window Deflector - LH	---
E	4	Bracket - Front	---
F	4	Bracket - Rear	---
G	1	I/I Replacement Template	---



A



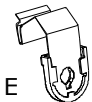
B



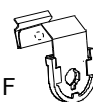
C



D



E



F

G



#### TOOLS REQUIRED:

- 90% or greater alcohol
- Masking Tape
- Tape measure or scale
- Clean, lint-free cloth

#### PRE-INSTALLATION WARNINGS, CAUTIONS, CRITICAL STEPS, and NOTES:

### WARNING

- Install the Side Window Deflector when the ambient temperature is above 60°F (15°C).
- Do not wash or expose vehicle to a wet environment for 24 hours after installing Side Window Deflector.

#### NOTE:

- These instructions are for left side of vehicle; same procedure applies to right side.

**INSTALLATION PROCEDURE:**

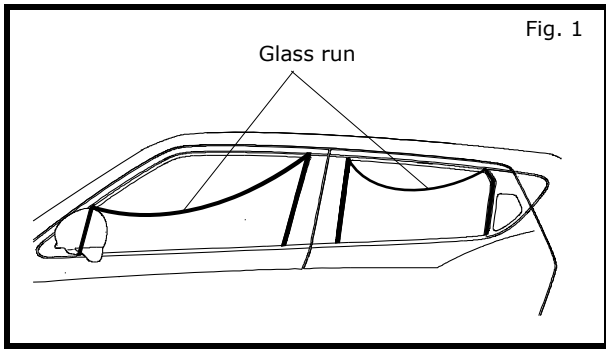


Fig. 1

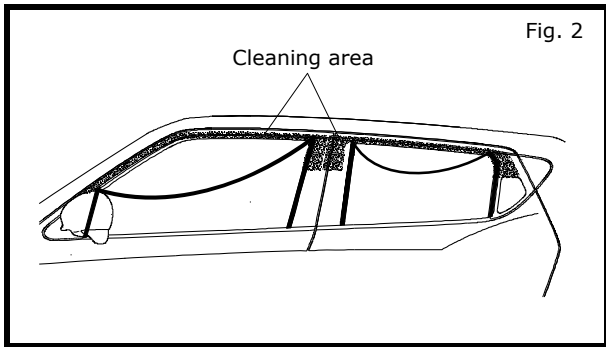


Fig. 2

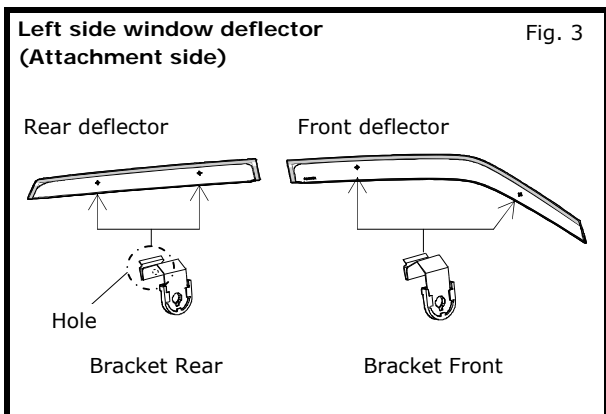


Fig. 3

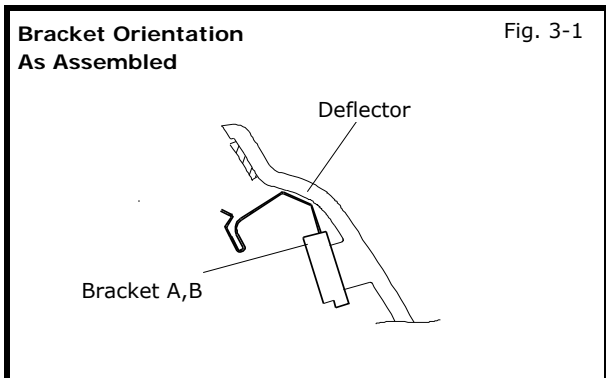


Fig. 3-1

- 1) Open doors and completely lower windows.
- 2) Pull down upper portion of glass run. See Fig. 1.
- 3) Close doors.
- 4) Using a clean, lint free cloth and 90% or greater alcohol, wipe any dirt and oil from the mounting surface. Let area dry thoroughly. See Fig. 2.
- 5) Assemble brackets to window deflector by pushing brackets firmly against the boss on backside deflector at marked locations. See Fig. 3 and Fig. 3-1

**NOTE:**  
**BE SURE THAT BRACKETS ARE INSTALLED IN CORRECT ORIENTATION AND ON CORRECT PART. ONCE THE BRACKETS ARE INSTALLED, THEY CAN NOT BE REMOVED.**

**INSTALLATION PROCEDURE:**

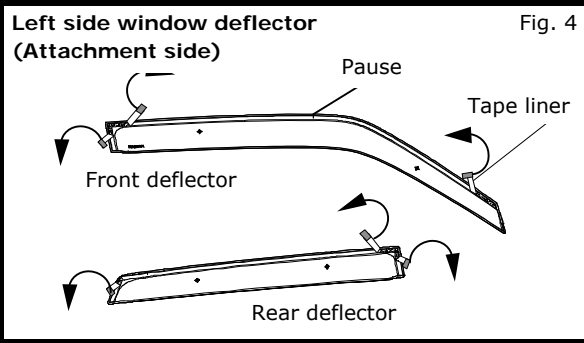


Fig. 4

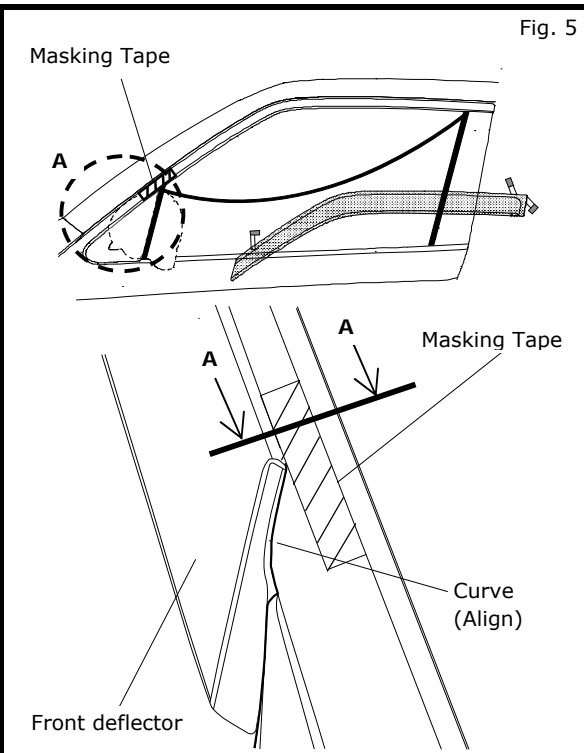
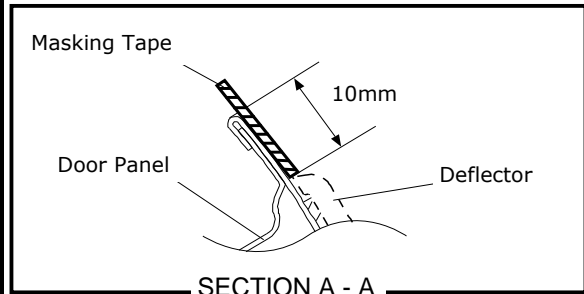


Fig. 5

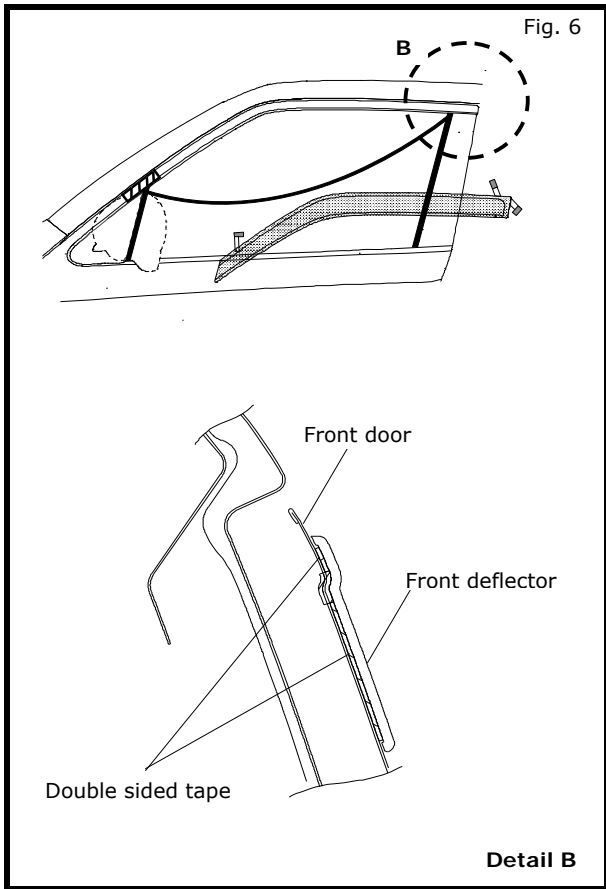


SECTION A - A

Detail A

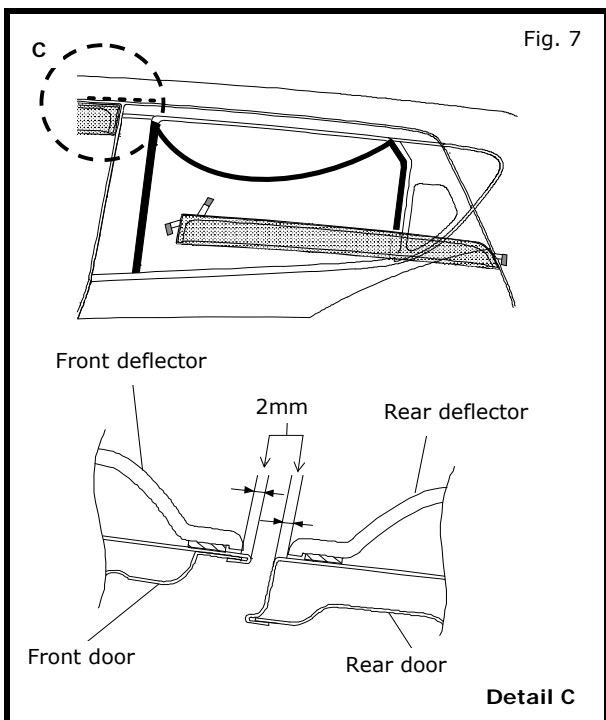
- 6) Peel back 30~40 mm of tape liner from double sided tape at each pull tab on front and rear deflector.
- 7) Fold tape liners onto deflector front surface and secure with masking tape to ensure that tape liners are accessible. See Fig. 4.
- 8) Apply masking tape 10mm from top edge of door panel. See Detail A of Fig. 5.
- 9) Attach front deflector brackets to front door.
- 10) Align deflector curve to front door curve and masking tape push deflector forward to contact Mirror Base. See Detail A of Fig. 5.
- 11) Push lightly to tack in place.

**INSTALLATION PROCEDURE:**



12) Align front deflector curve to front door garnish curve. See Detail B of Fig. 6.

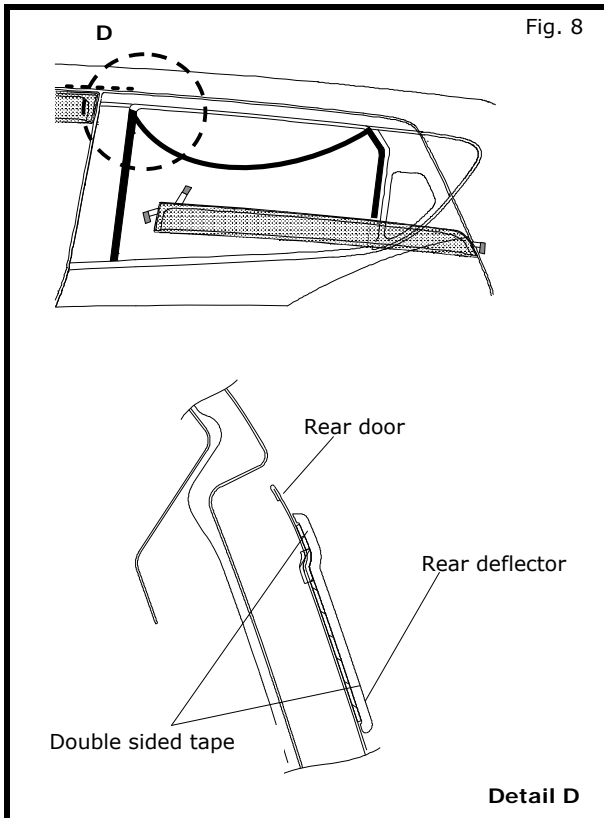
13) Push lightly to tack in place.



14) Attach rear deflector brackets to rear door.

15) Align rear deflector with front deflector and place 2mm from door edge ( See Detail C of Fig. 7).Align rear deflector curve to rear door curve (See Detail D of Fig. 8).

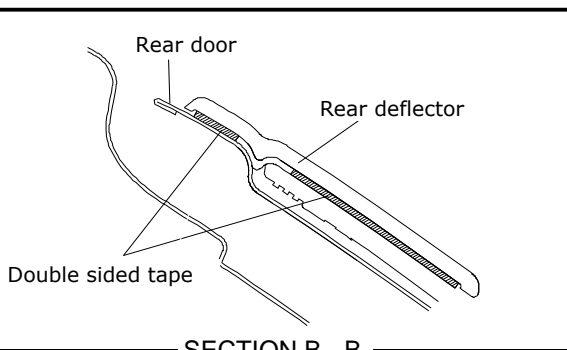
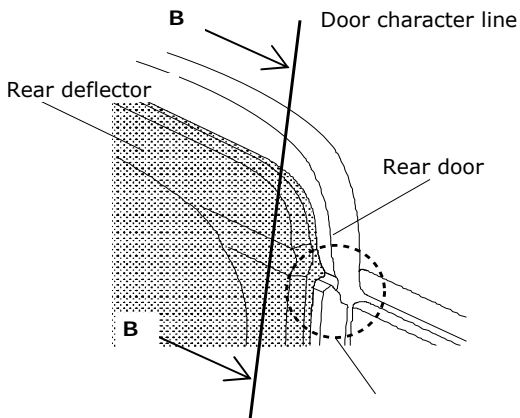
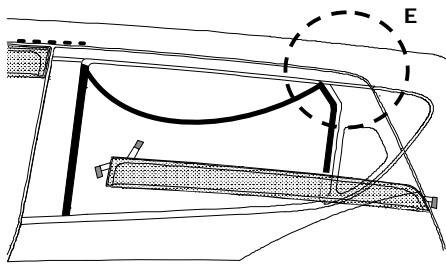
**INSTALLATION PROCEDURE:**



16) Push lightly to tack in place.

**INSTALLATION PROCEDURE:**

Fig. 9

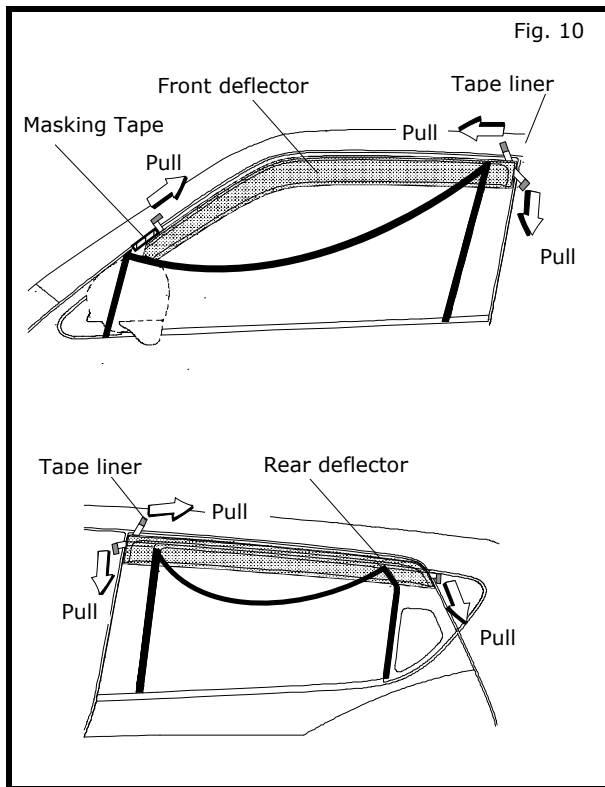


**Detail E**

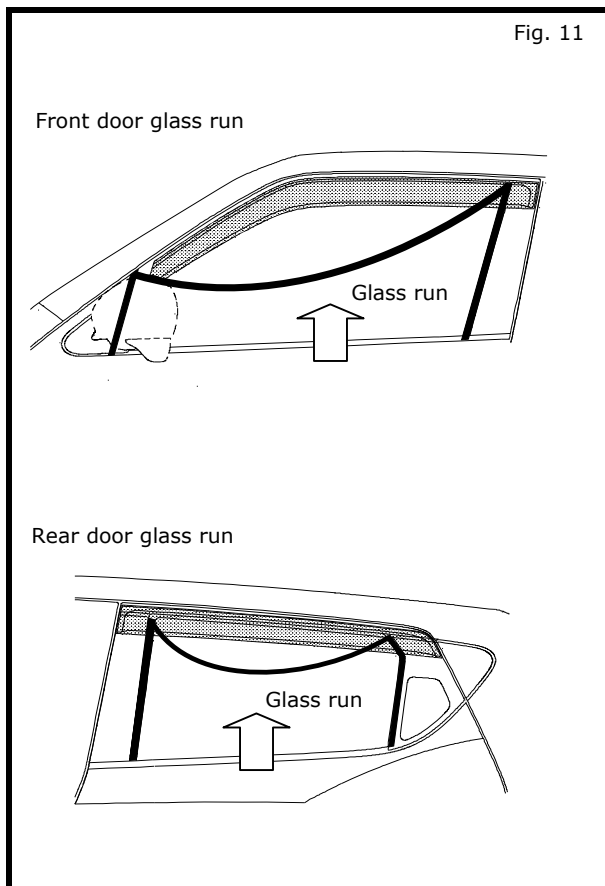
17) Align rear deflector feature to door character line.

18) Push lightly to tack in place.

## INSTALLATION PROCEDURE:



- 19) Remove tape liners and apply at least 15lbs. of pressure along tape length and remove masking tape. See Fig. 10.



- 20) Reinstall glass runs. See Fig. 11.
- 21) Open and close windows to confirm that windows are functioning properly.
- 22) Repeat all steps for right side of vehicle.

**ACCESSORY CHECK:**

Check all **Critical Installation Steps**.

**FINAL INSPECTION:**

Verify re-installed trim parts for proper flush fit (no gap, no waviness, etc.).

Verify vehicle headliner, seat, steering wheel, center console, floor carpets, etc. are not soiled.

Verify interior and exterior is not damaged.