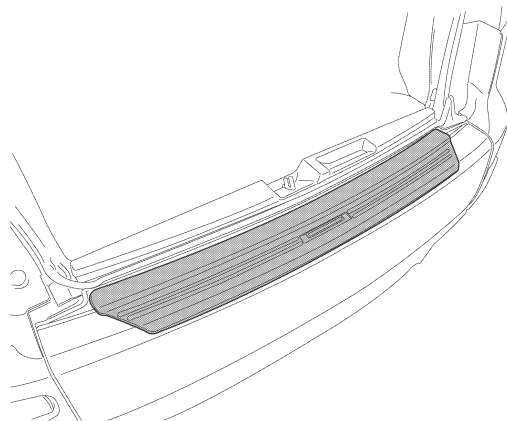


MITSUBISHI MOTORS  
GENUINE PARTS

# OUTLANDER REAR BUMPER PLATE MZ574482EX INSTALLATION AND HANDLING INSTRUCTIONS



Thank you for purchasing the Mitsubishi Genuine Accessory.  
To install and use the product correctly with proper knowledge of it, read this publication carefully.  
Keep this publication for reference when maintenance is required.

## Attention

- This publication gives precautionary instructions in the boxes titled as follows.  
Read through these instructions thoroughly.



### Caution

Describes precautions that should be observed in order to prevent injury or damage to the vehicle or its components, which may occur if sufficient care is not taken.



### Note

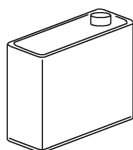
Provides additional information that facilitates installation work.

- Failure to follow these instructions not only prevents the product from working properly but may lead to trouble with the vehicle. Be sure to follow all instructions carefully.
- If there is anything unclear about the installation, handling and/or usage of the product, contact your Mitsubishi Motors dealer for clarification.
- Mitsubishi Motors Corporation is not responsible for any defects or difficulties caused by or resulting from the failure to follow given instructions.
- We recommend you to have the installation performed at an authorized Mitsubishi Motors dealer.

To the dealer:  
Be sure that the customer receives this publication.

## ■ TOOLS (Make the following tools ready for use.)

Isopropyl alcohol or degreaser

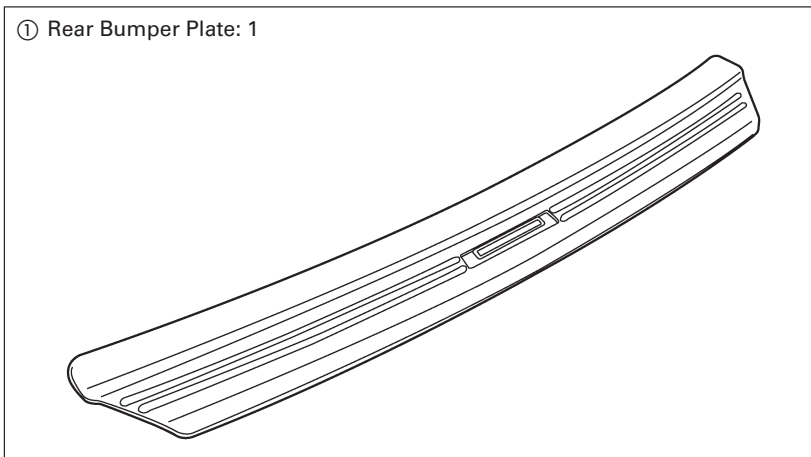


Shop towel



## ■ COMPONENTS (Make sure that all of the following components were included in the kit.)

① Rear Bumper Plate: 1

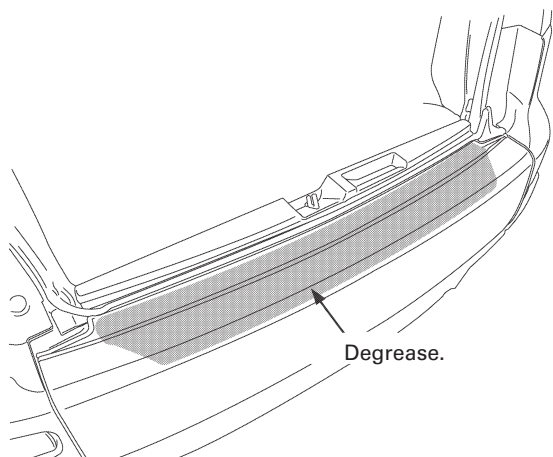


## ■ PRECAUTIONS

- This product may not be installed together with some other Mitsubishi genuine accessories. Check for applicability before installing this product.
- Park the vehicle on a flat, horizontal place.
- Be sure to apply parking brake securely. Remove the ignition key from its key cylinder.
- Be careful not to apply excessive force to the product. It may deform the product, causing faulty installation.
- Adhesive tape extremely loses its adhesion if the adhesive surface is touched by a dirty hand or glove, or if the tape is removed after application. If the adhesion is reduced, take appropriate remedies such as replacing the adhesive tape, otherwise the product may fall off during driving.
- Low ambient temperature (below 15°C) greatly reduces the adhesion of adhesive tape, which can be a cause of peeling off. Work in a warm place or warm the tape application surface as necessary.

## INSTALLATION PROCEDURES

### A. INSTALLING THE REAR BUMPER PLATE

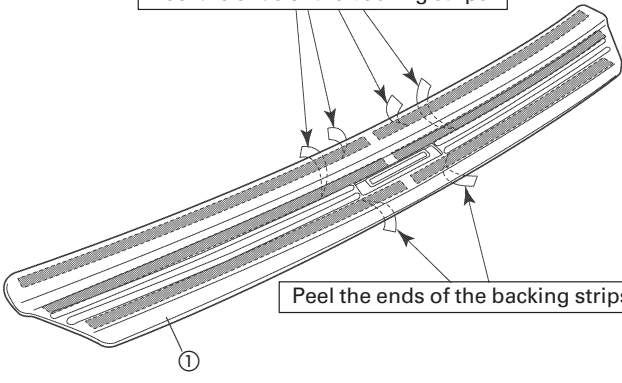


- 1) Wipe clean and degrease the Rear Bumper Plate ① installation surface.

### **Caution**

To degrease the surface, use isopropyl alcohol or degreaser. Never use paint thinner, benzene, gasoline, or any other organic solvent for this purpose. Ignoring this process may cause falling off of the product.

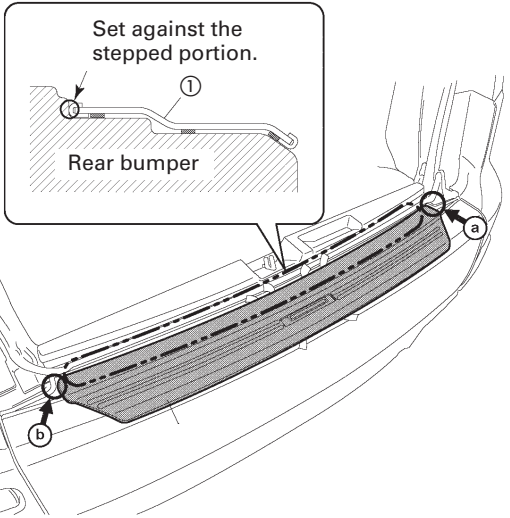
Peel the ends of the backing strips.



①

Peel the ends of the backing strips.

Set against the stepped portion.



①

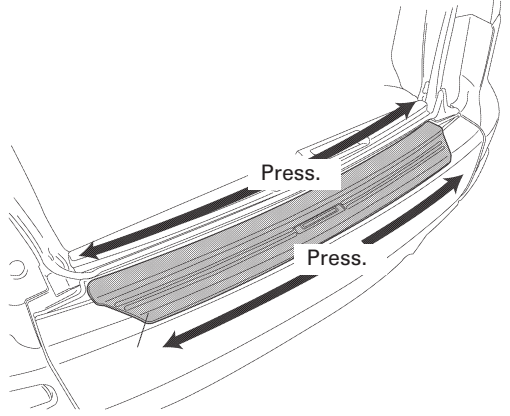
Rear bumper

a

b

Press.

Press.



2) Peel off the ends of the backing strips from the adhesive tapes at the back of the Rear Bumper Plate ①.

3) Place the Rear Bumper Plate ① on the rear bumper. Set the front end of the Rear Bumper Plate ① against the stepped portion of the rear bumper. Then adjust the clearances a and b to be even.

**Note**

Affixing the peeled ends on the surface of the plate with adhesive tape will facilitate the later steps.

4) After confirming the balance of installation position, peel off the backing strips and press the Rear Bumper Plate ① firmly against the bumper.  
5) Press the Rear Bumper Plate ① firmly against the bumper again for reconfirmation.

## **B. CHECKING AFTER INSTALLATION**

- Check if the product fits properly on the vehicle body.
- Check if the worked area on the vehicle body is clean.
- Check if the adhesive tape sticks firmly.



### **Caution**

Do not wash the vehicle for 24 hours after attaching the product to prevent peeling off of the product. Even if washing or waxing is necessary, wait at least 6 hours. Keep the vehicle off the rain during this storage period.

## **CARE AND HANDLING**

- If the product is damaged, repair or replace it immediately.
- Do not apply excessive force on the product. It may deform or damage the product.
- This product is made of stainless steel. To remove dirt on the product, wipe it off by soft cloth moistened with neutral detergent. Leaving the product dirty may cause rust on the product. Rust can be removed using wax with compound. However, note that it may scratch the surface of the product.