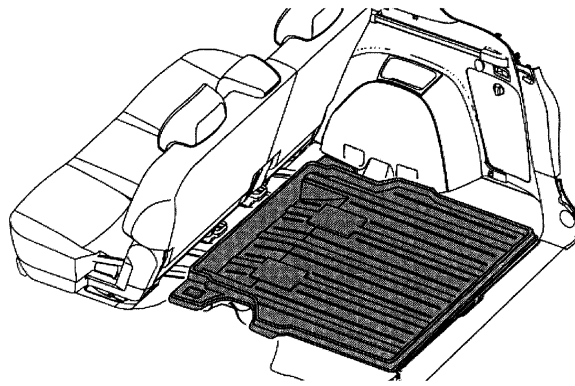


MITSUBISHI MOTORS
GENUINE PARTS

OUTLANDER LUGGAGE TRAY MZ522693EX INSTALLATION AND HANDLING INSTRUCTIONS



Thank you for purchasing the Mitsubishi Genuine Accessory.
To install and use the product correctly with proper knowledge of it, read this publication carefully.
Keep this publication for reference when maintenance is required.

Attention

- This publication gives precautionary instructions in the boxes titled as follows.
Read through these instructions thoroughly.



Caution

Describes precautions that should be observed in order to prevent injury or damage to the vehicle or its components, which may occur if sufficient care is not taken.

- Failure to follow these instructions not only prevents the product from working properly but may lead to trouble with the vehicle. Be sure to follow all instructions carefully.
- If there is anything unclear about the illustration, handling and/or usage of product, contact your Mitsubishi Motors dealer for clarification.
- Mitsubishi Motors Corporation is not responsible for any defects or difficulties caused by or resulting from the failure to follow given instructions.
- We recommend you to have the installation performed at an authorized Mitsubishi Motors dealer.

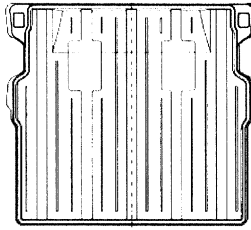
To the dealer:

Be sure that the customer receives this publication.

S641-001-0507A
(06B1350)

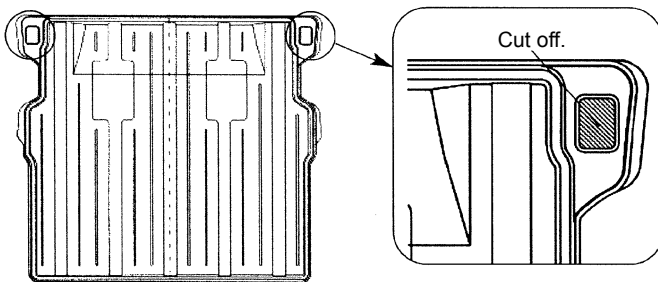
■ **COMPONENTS** (Make sure that all of the following components were included in the kit.)

① Luggage tray: 1

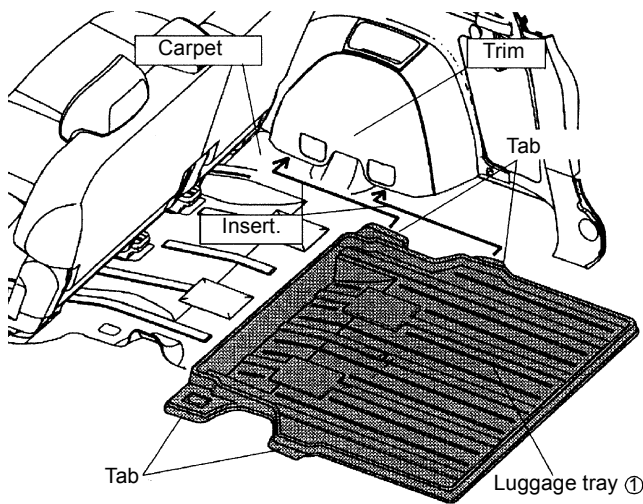


INSTALLATION PROCEDURES

A. INSTALLING THE LUGGAGE TRAY



- 1) To make the floor luggage hooks available:
If you prefer to make the floor luggage hooks available, cut off the hatched sections (right and left) of the luggage tray ① as shown in the drawing before installation.
Cut off the hatched section along a groove using a utility knife. Be careful not to twist the cutting line.



- 2) Lay the luggage tray ① on the floor of the luggage compartment in the correct direction. Insert the four tabs of the luggage tray ① shown in the drawing between the trim and floor carpet.



Caution

Be careful not to scratch the trim and tray during installation.

Check

CARE AND HANDLING

Precautions for Handling

- Loading an article with sharp edges on the luggage tray may seriously damage the tray. Do not place such articles directly on the tray.
- Do not remove the luggage tray with any article on it, and do not use the luggage tray to carry articles. Doing so may cause the article to fall off the tray or break it, which could cause an injury.
- When using the third-row seats, remove the luggage tray.

Care

- To clean the product, use lukewarm water or neutral detergent. Never use an organic solvent such as benzene or thinner as it may cause discoloration or deformation of the product.
- To store the luggage tray, wash it with water and dry completely, and keep it on a flat place. Do not put heavy objects on it.