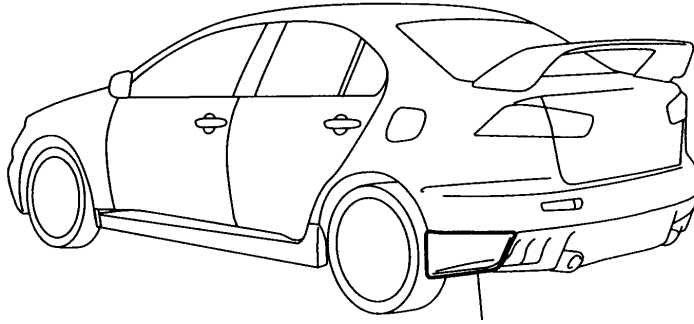


MITSUBISHI MOTORS
GENUINE PARTS

LANCER EVOLUTION (2008–) REAR CORNER EXTENSION INSTALLATION AND HANDLING INSTRUCTIONS



Rear corner extension

Color Name	Color Code	Part No.
Silver	A31	MZ380439EX
Blue	D06	MZ380440EX
Black	U02	MZ380441EX
Red	P26	MZ380442EX
Gray	A39	MZ380443EX
White	W37	MZ380444EX

Thank you for purchasing the Mitsubishi Genuine Accessory.
To install and use the product correctly with proper knowledge of it, read this publication carefully.
Keep this publication for reference when maintenance is required.

Attention

- This publication gives precautionary instructions in the boxes titled as follows.
Read through these instructions thoroughly.



Caution

Describes precautions that should be observed in order to prevent injury or damage to the vehicle or its components, which may occur if sufficient care is not taken.



Note

Provides additional information that facilitates installation work.

- Failure to follow these instructions not only prevents the product from working properly but may lead to trouble with the vehicle. Be sure to follow all instructions carefully.
- If there is anything unclear about the installation, handling and/or usage of the product, contact your Mitsubishi Motors dealer for clarification.
- Mitsubishi Motors Corporation is not responsible for any defects or difficulties caused by or resulting from the failure to follow given instructions.
- We recommend you to have the installation performed at an authorized Mitsubishi Motors dealer.

To the dealer:

Be sure that the customer receives this publication.

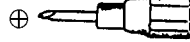
(07B1395)

■ TOOLS (Make the following tools ready for use.)

Phillips screwdriver



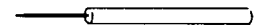
Phillips stubby screwdriver



Trim remover



Gimlet



Isopropyl alcohol or degreaser



Shop towel



Masking tape



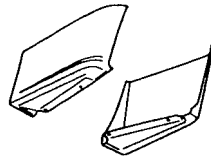
Primer*



*: Prepare a primer applicable for adhering the ABS and the acryl foam tape.

■ COMPONENTS (Make sure that all of the following components were included in the kit.)

① Rear corner extension: 2
(right and left, 1 each)



② Tapping screw (4 × 16): 4

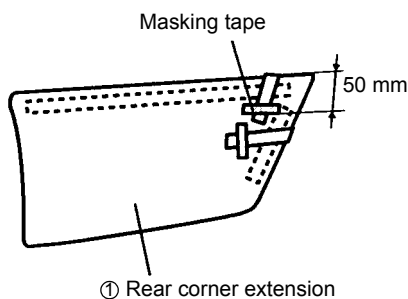
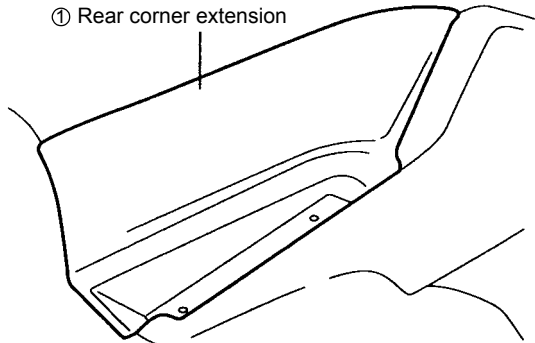
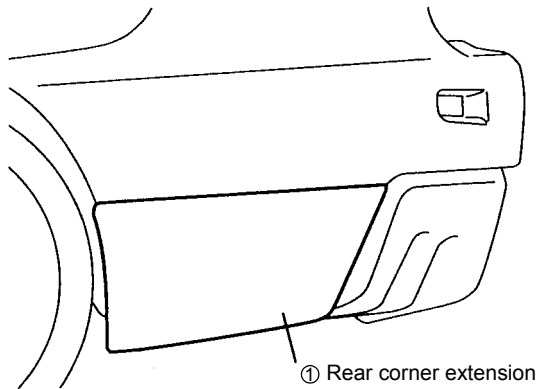
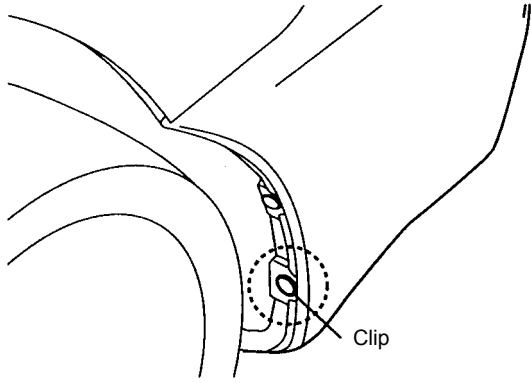


■ PRECAUTIONS

- Be sure to apply the parking brake securely. Remove the ignition key from the key cylinder.
- When using isopropyl alcohol or degreaser, work in a well-ventilated space. Keep away from flames.
- Be sure not to touch the adhesive surface of the adhesive tape by a dirty hand or glove or remove and reapply the adhesive tape. Doing so makes the tape lose much of its adhesion.
- Be sure to wipe off dust and oil from the surfaces where adhesive tape is to be attached using a clean shop towel moistened with isopropyl alcohol or degreaser. Never use organic solvent such as thinner, benzine, gasoline, etc.
- Low ambient temperature (below 15°C) greatly reduces the adhesive strength of adhesive tape, which can cause peeling off. Work in a warm place or warm the adhesive tape as necessary.
- The drawings in the Installation Procedures depict the installation of the left side part. Install the other parts in the same manner.

INSTALLATION PROCEDURES

A. PREPARATORY WORK



- 1) Remove the clip shown in the drawing - at the rear wheel housing, 2nd from the bottom.

⚠ Caution

Keep the removed clip as it will be reused.

- 2) Fit the rear corner extension ① in position to confirm its installation position and the adhesive tape (primer) application position.
- 3) Clean and degrease the rear corner extension ① installation position on the rear bumper.

- 4) Apply primer to the adhesive tape application positions and wait for 5 minutes to dry it.

⚠ Caution

Never apply the primer out of the mounting surface of the rear corner extension ①.

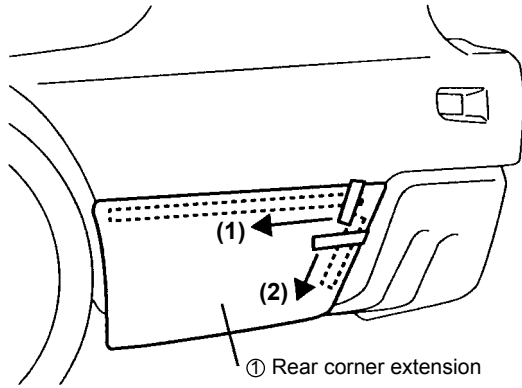
- 5) Peel off an end of each backing strip at the backside of the rear corner extension ① by 50 mm, fold them and fix them at the front side of the extension ① with masking tape.

⚠ Caution

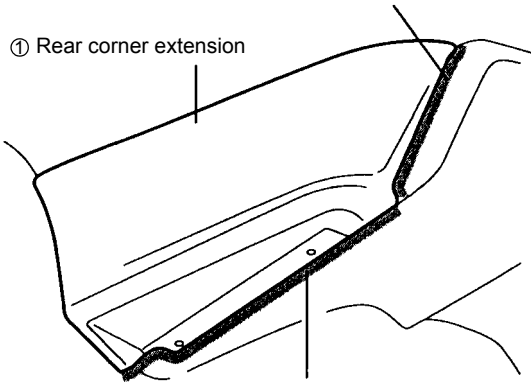
Do not peel off the backing strip completely. Doing so makes the positional adjustment of the rear corner extension ① impossible.

Check

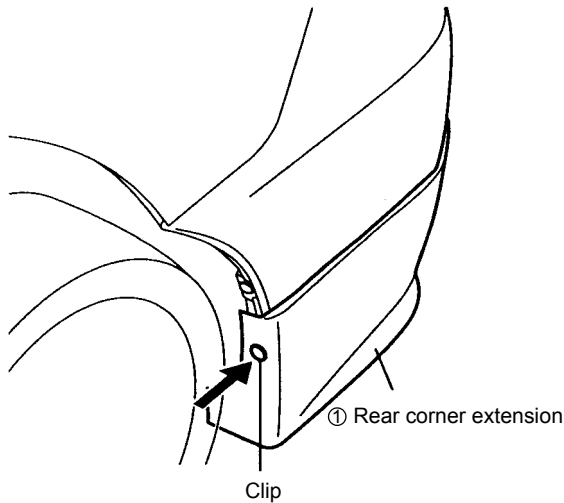
B. INSTALLING THE REAR CORNER EXTENSION



There should be no clearance.



Surface contact with the rear bumper



- 1) Place the rear corner extension ① in position. Be careful that:
 - There is no clearance between the rear edge of the rear corner extension ① and the rear bumper.
 - The bottom of the rear corner extension ① should make the surface contact with the rear bumper.

Then slowly peel off the backing strips in the order shown in the drawing and carefully press and fix the rear corner extension ① on the rear bumper.

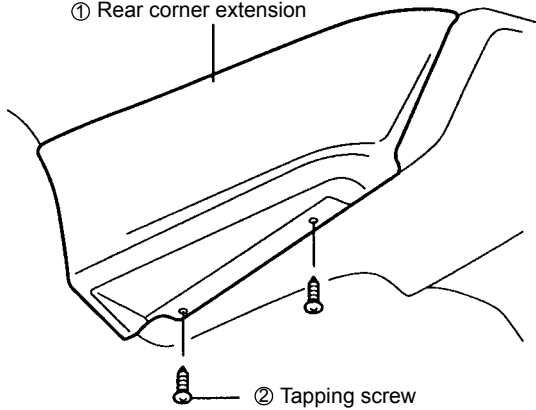


Caution

Fix the rear corner extension ① carefully. Incorrectly positioned extension may deform the rear bumper.

- 2) Secure the rear corner extension ① with the clip removed in A-1).

① Rear corner extension



② Tapping screw

- 3) Drill base holes at the centers of two holes on the bottom of the rear corner extension ① with a gimlet. Then screw in and tighten the tapping screws ② to the specified torque.

Tightening torque: 5.0 ± 1.0 N·m

Check

C. CHECKING AFTER INSTALLATION

- Check the installation condition of the product.
- Check that there is no looseness on the product.
- Check that all the fasteners are fastened firmly.
- Check that all the adhesive tapes are attached securely.



Caution

Do not wash the vehicle for 24 hours after attaching the product otherwise it may peel off. Even if washing or waxing is necessary, wait at least 6 hours. Keep the vehicle out of the rain and other water during this period.

Check