

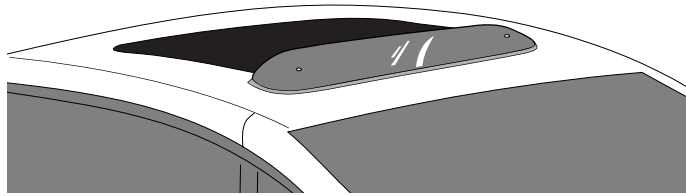


GENUINE ACCESSORIES

INSTALLATION INSTRUCTIONS OUTLANDER 2007 - Sunroof Deflector

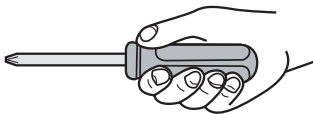
PART NUMBER: MZ313817

APPLICATION



OUTLANDER

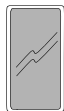
TOOLS REQUIRED



BILL OF MATERIALS



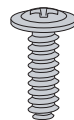
x2



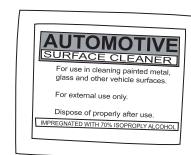
x2



x2

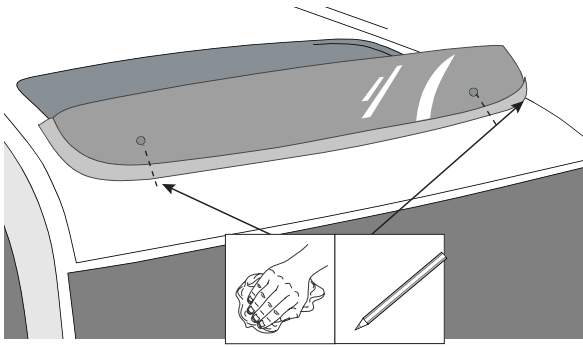


x2



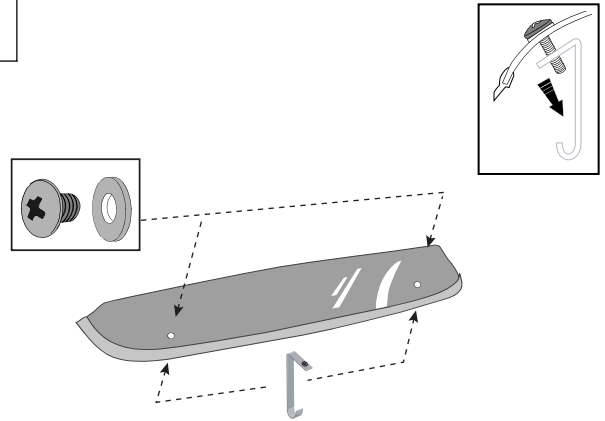
x1

1.



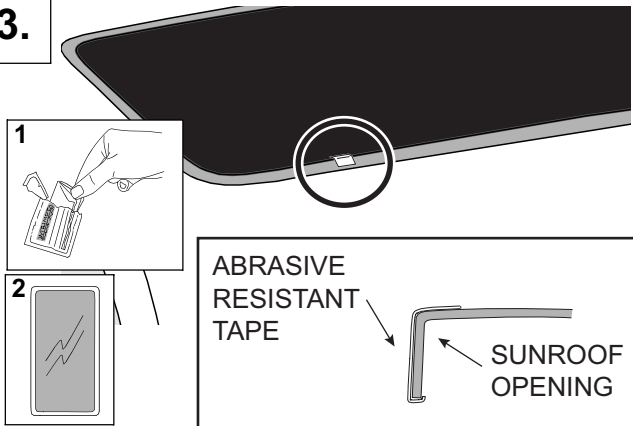
Open the sunroof and clean installation areas thoroughly. Trial fit Sunroof Deflector centrally on roof. Take note and mark the areas on Sunroof Deflector where rubber extrusion and metal clips are to be positioned. Remove Sunroof Deflector.

2.



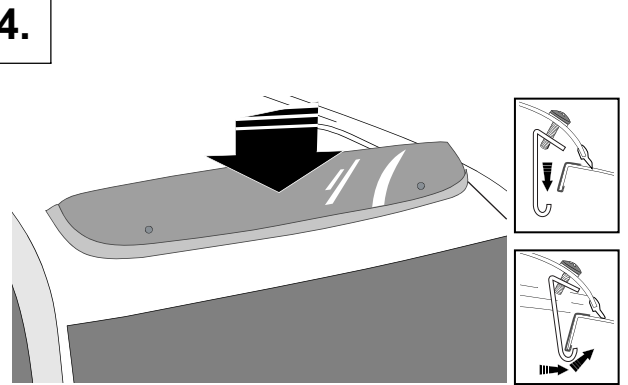
Loosely attach the clips to the Sunroof Deflector.

3.



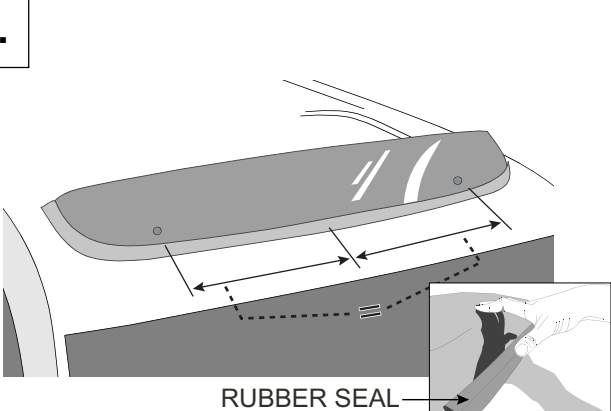
At the previously marked clip positions, clean the sunroof opening with alcohol wipe provided, remove any residue with a dry clean cloth. Adhere abrasive resistant tape at the contact areas of the inner flange area of the sunroof opening, as shown.

4.



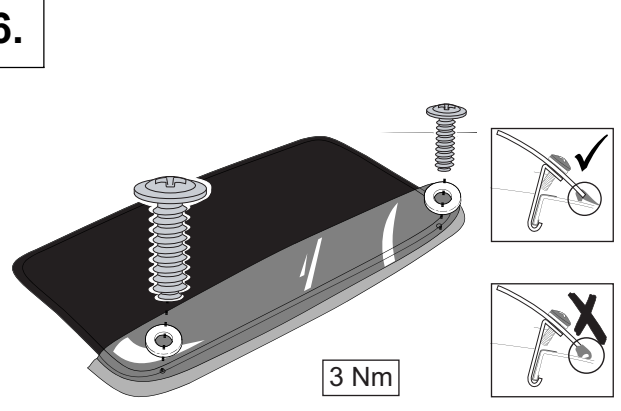
Re-fit the Sunroof Deflector centrally on the roof. Position clips at front of the sunroof opening. Depress the corners of the Sunroof Deflector to hook the clips under the inside edge of the opening.

5.



Before tightening, make sure the Sunroof Deflector is centered on the roof and that the clips are seated correctly and over the abrasive resistant tape. Ensure rubber seal is spread out flat against the roof and does not curl under at any point.

6.



Tighten the screws, alternating between sides, until the clips seat against the Deflector. **DO NOT OVER TIGHTEN!**