

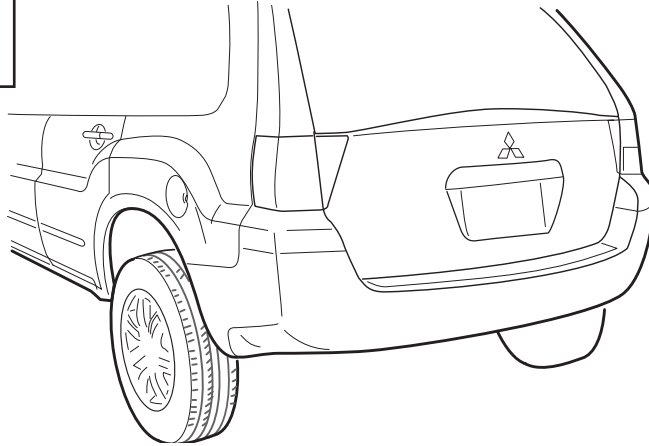


INSTALLATION INSTRUCTIONS DIRECTIVES D'INSTALLATION

Endeavor Hitch
Attelage de remorque por l' Endeavor

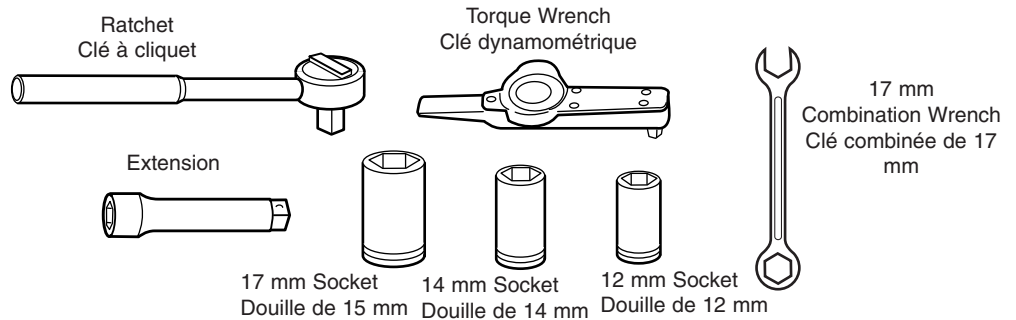
PART NUMBER:
NUMÉRO DE PIÈCE :
MZ313590

APPLICATION POSE

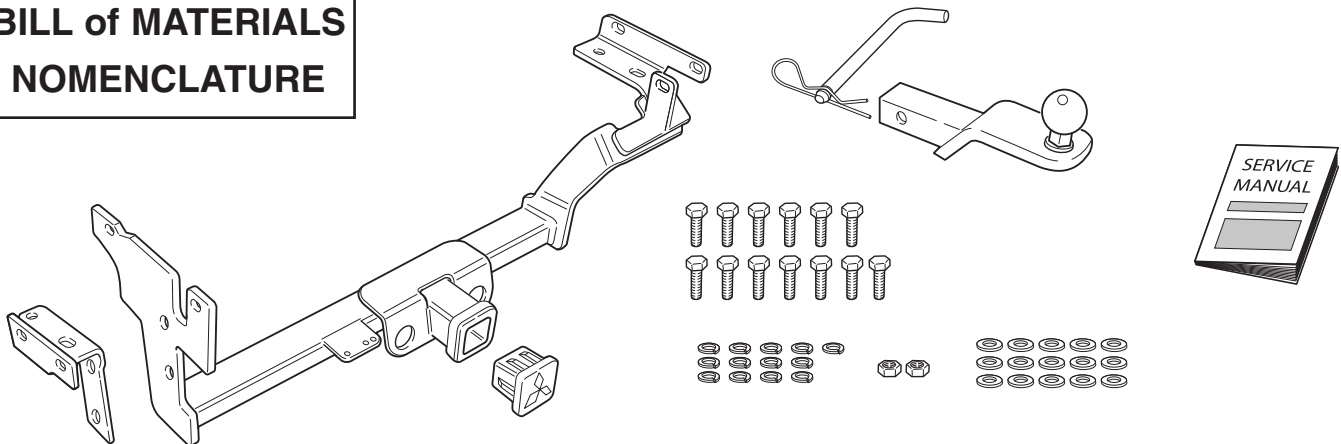


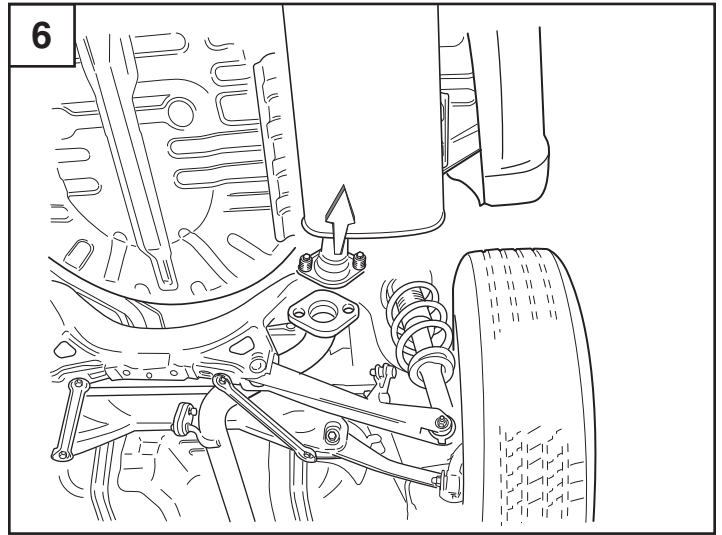
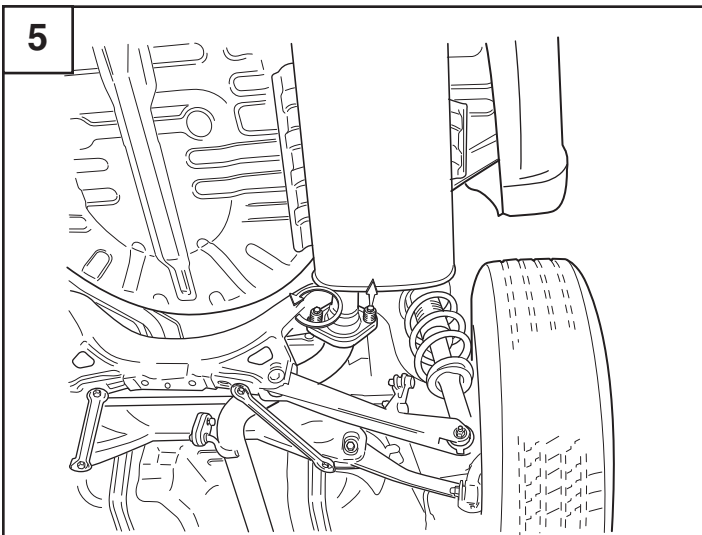
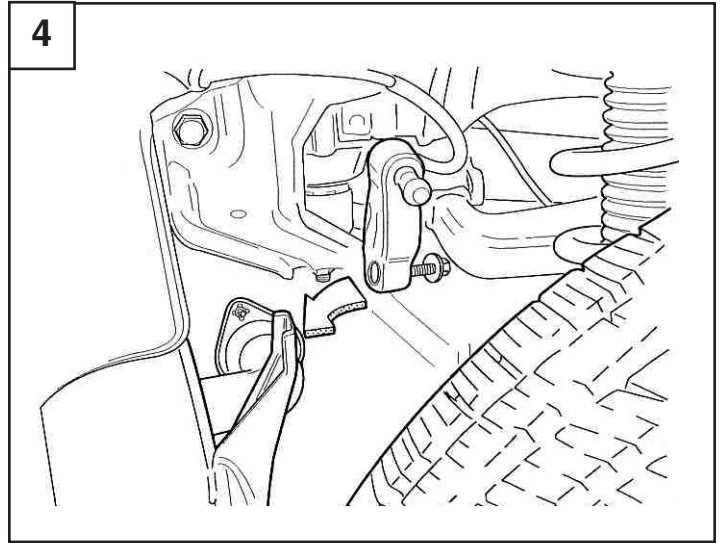
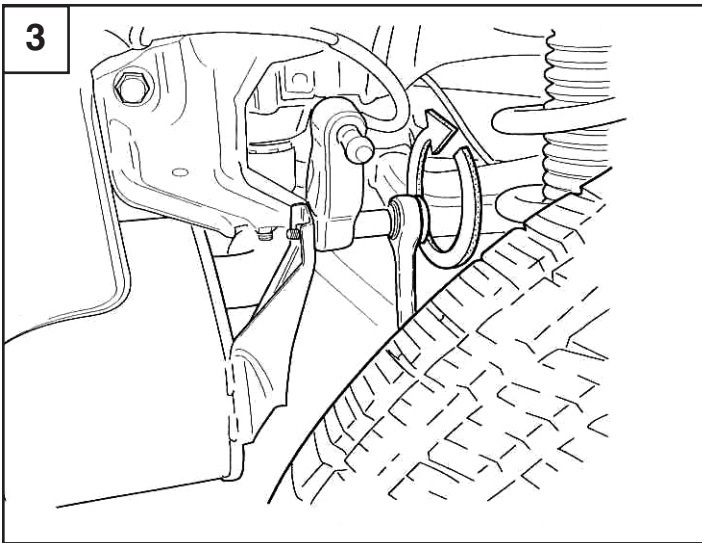
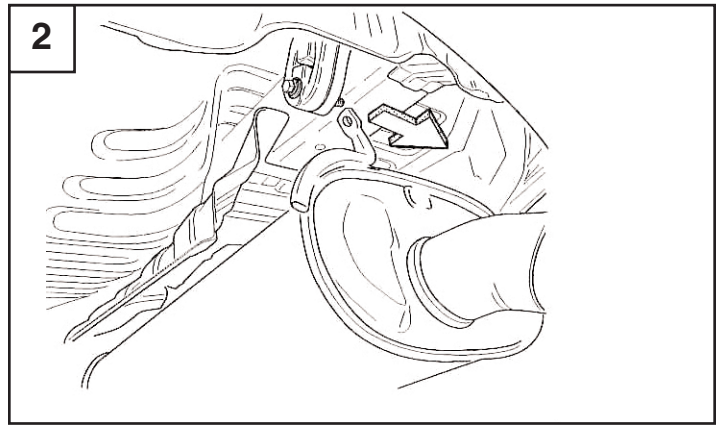
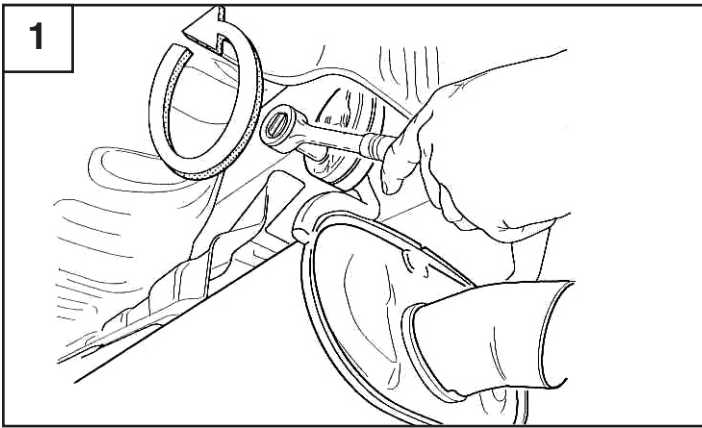
Endeavor 2006 -

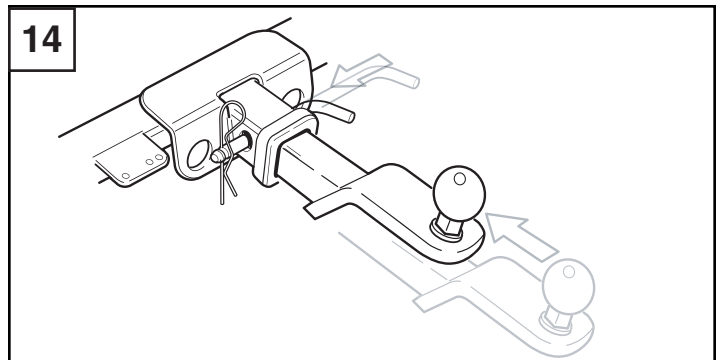
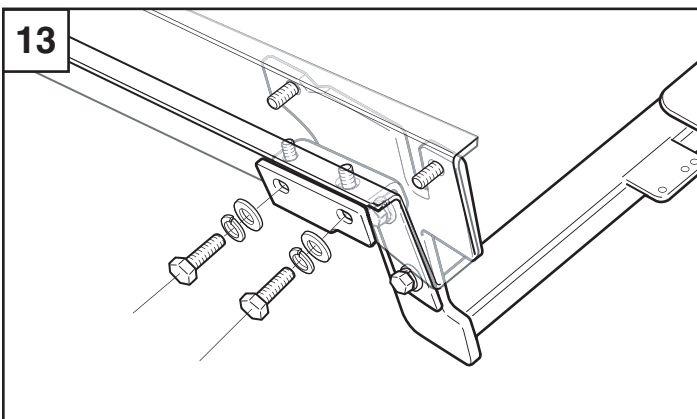
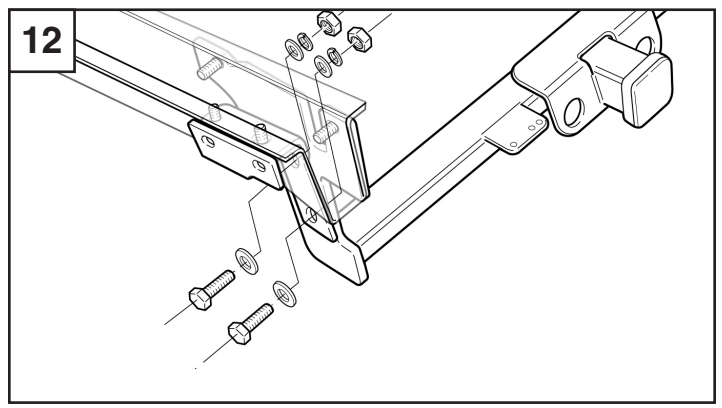
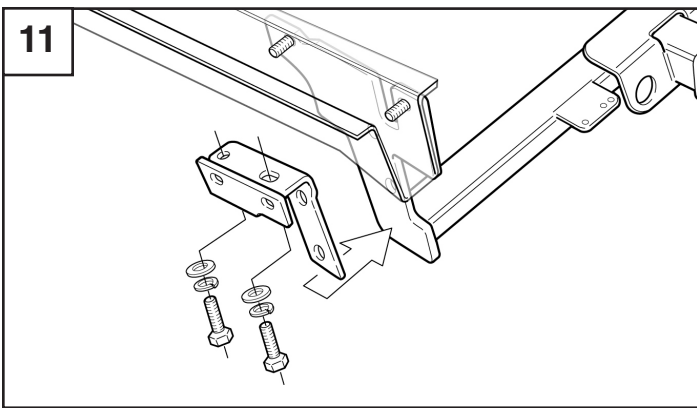
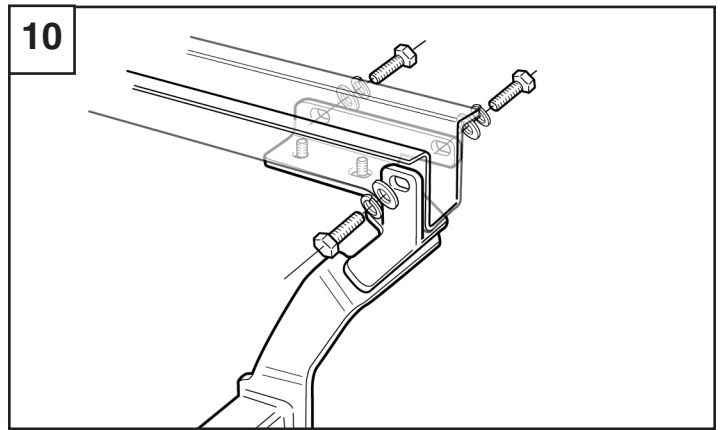
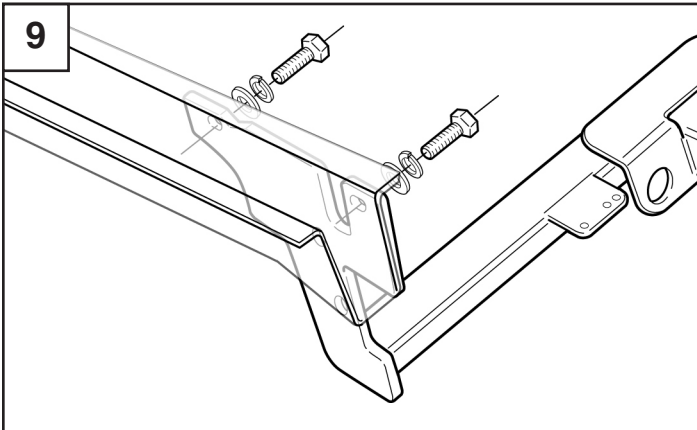
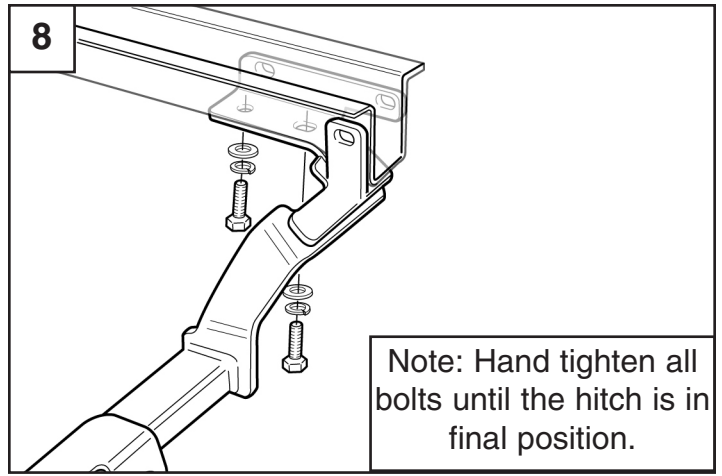
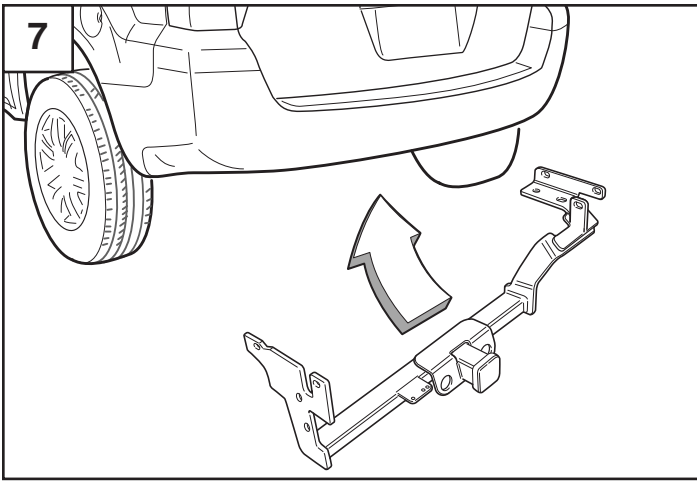
TOOLS REQUIRED OUTILS NÉCESSAIRES



BILL of MATERIALS NOMENCLATURE

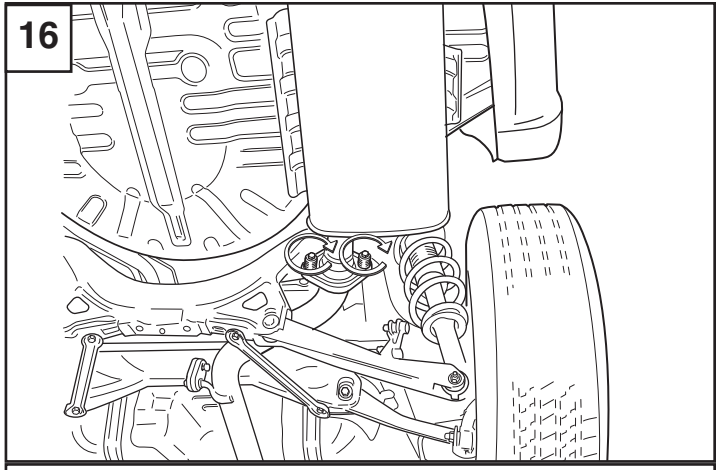
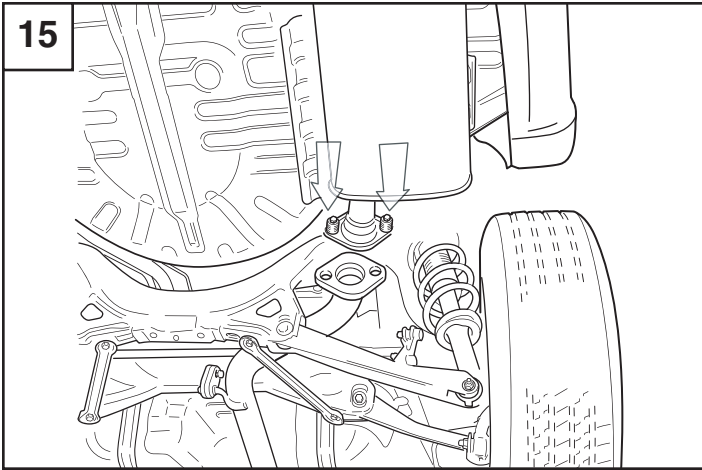




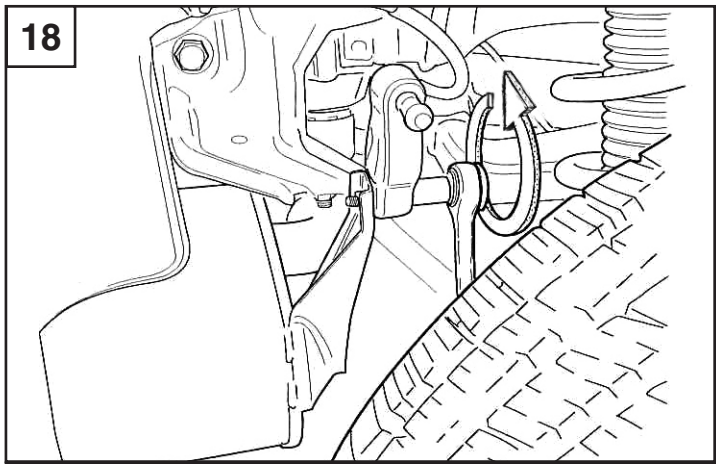
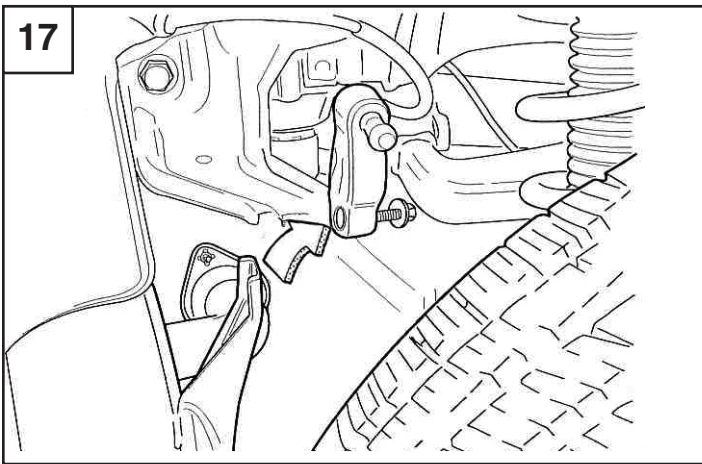


Please remove the drawbar when it is not in use during driving

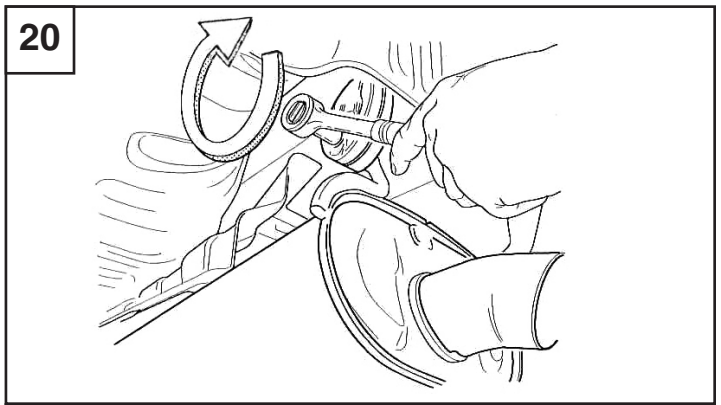
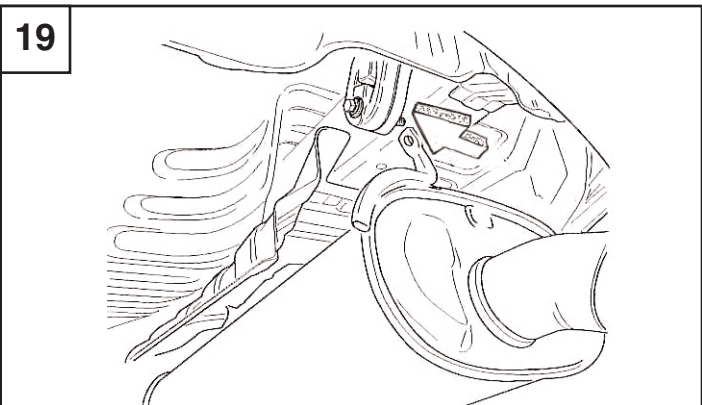
Torque All Hitch Bolts to: 54-61 Nm



Torque Muffler Pipe Bolts to: 44.1-53.9 Nm



Torque Muffler Hanger Bolts to: 9.8-14.7 Nm



Torque Muffler Hanger Bolts to: 9.8-14.7 Nm

- Please use the included drawbar & ball when appropriate for your trailer application.
- Please make sure that the trailer and the drawbar are in proper height before usage.