

INSTALLATION INSTRUCTIONS

SUNROOF WIND DEFLECTOR

ALL MODELS

CONTENTS

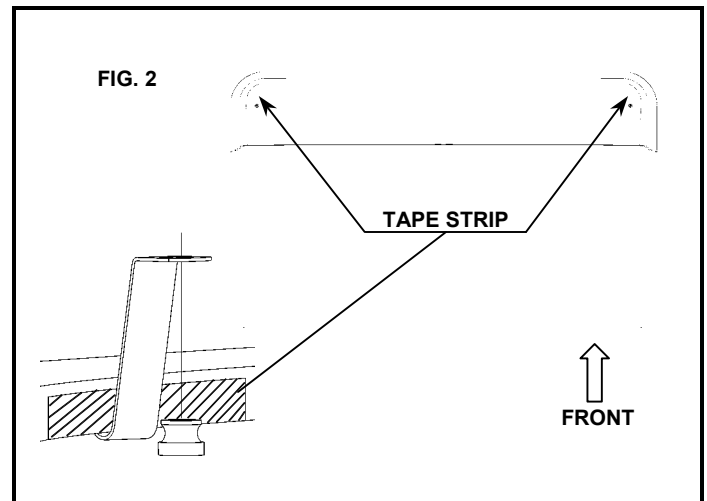
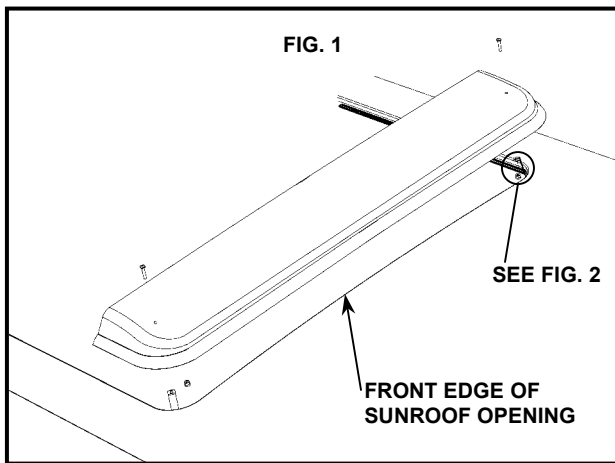
- (1) Smoked Plastic Air Deflector with rubber gasket installed
- (2) Machine Screws - stainless steel with black finish #10-32 x 3/4"
- (2) Hex Nuts - stainless steel #10-32
- (2) Brackets - stainless steel
- (2) Tape Strips

TOOLS REQUIRED

- Phillips Screwdriver - No. 2
- Open-end wrench - 3/8"

INSTALLATION INSTRUCTIONS

1. Loosely assemble brackets to the inside of air deflector using machine screws and nuts (See Fig. 1). Leave nuts as loose as possible - engage only two or three threads.
2. Ensure black rubber gasket is seated in its groove along entire edge of deflector.



3. Open and close sunroof to check operation. If the sunroof does not close completely, it must be adjusted according to Mitsubishi service procedures. When properly installed, the air deflector brackets will not affect closing.

4. Open sunroof.

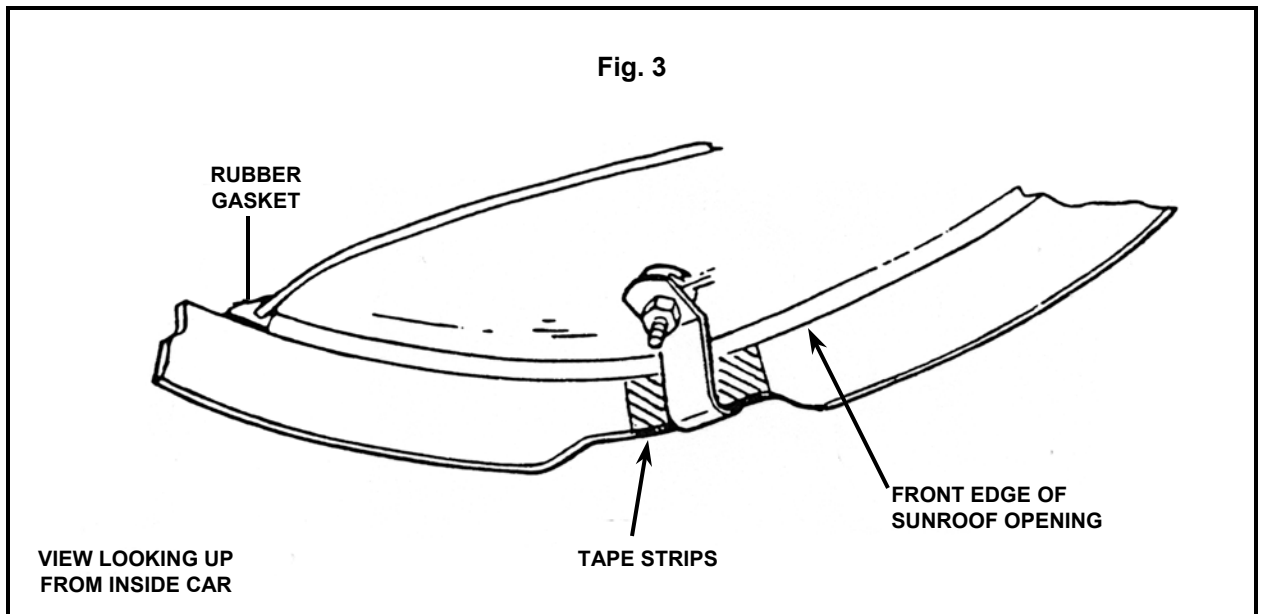
Place deflector on roof to determine position of brackets for installation of tape strips (see Fig. 2).

5. Clean surface and install tape strips.

For best results, ambient temperatures should be above 60° F.

6. Push down on the original equipment stainless steel air flap, then hook one bracket under edge of sheet metal in front corner of sunroof opening. **DO NOT SCREW YET** (see Fig. 3).

Fig. 3



7. Go to the other side of the car and hook the other bracket. **DO NOT TIGHTEN SCREW YET.**
To position the air deflector properly:
 - A. The rubber gasket should be positioned forward of the front edge of the sunroof opening - do not let the gasket hang into the opening.
 - B. The deflector should be centered side to side.
 - C. The bracket's hooked edge should be centered under the mounting holes in the deflector.
 - D. Carefully tighten screws making sure that the brackets are hooked properly and that the air deflector's position has not changed.
8. Tighten the screws until the bracket begins to touch the plastic deflector on the inside. **DO NOT over tighten.**
9. Check that the gasket is sealed to the roof all the way around the air deflector. Tighten screws if necessary to achieve a good seal.
10. Manually operate the air flap on the vehicle and check that it clears the brackets. Loosen and readjust air deflector brackets if necessary.
11. Open and close the sunroof, checking for proper installation.

INSTRUCTIONS FOR CLEANING:

USE DISHWASHING LIQUID OR MILD SOAP TO CLEAN. DO NOT USE AMMONIA OR GLASS CLEANERS CONTAINING AMMONIA. THIS WILL DAMAGE THE FINISHED SURFACE OF THE DEFLECTOR.

PLACE THESE INSTRUCTIONS IN GLOVE BOX.