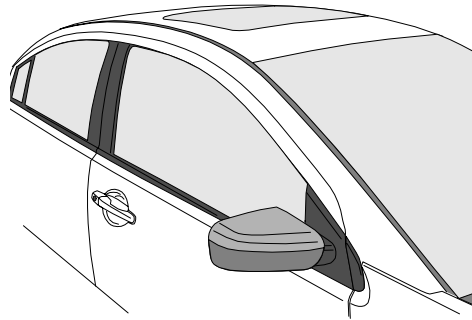




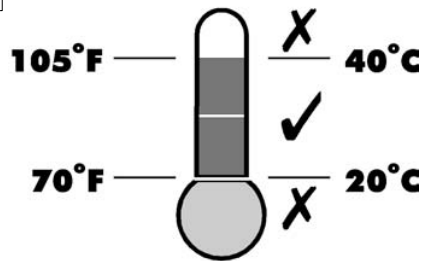
INSTALLATION INSTRUCTIONS
GALANT 4DR 2004 -
Deflector, Side Window
Part Number: MZ312928

APPLICATION



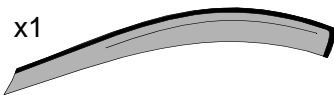
GALANT

TOOLS REQUIRED - None



BILL OF MATERIALS

x1



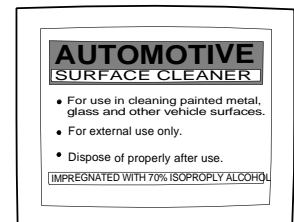
x1



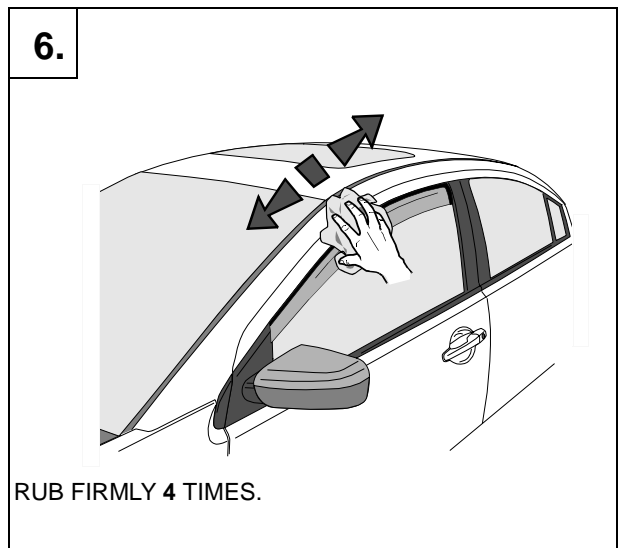
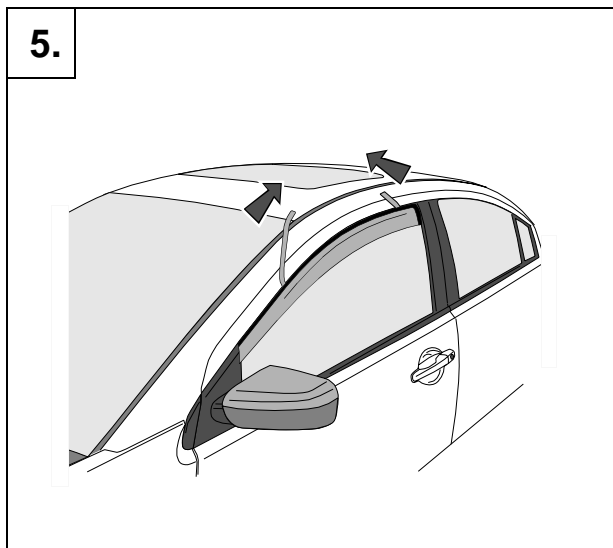
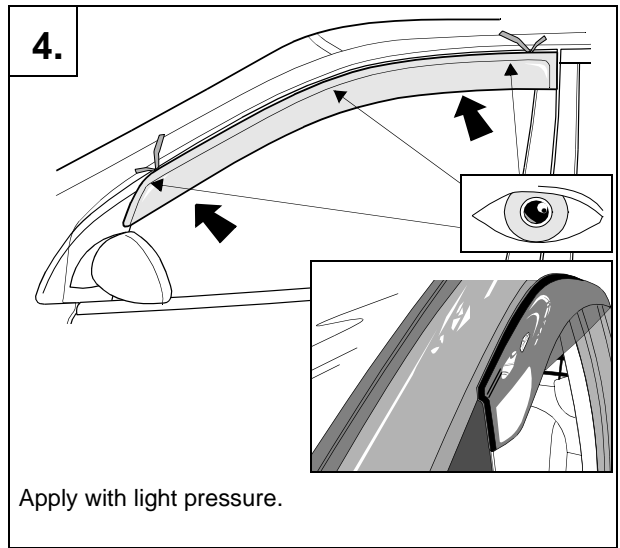
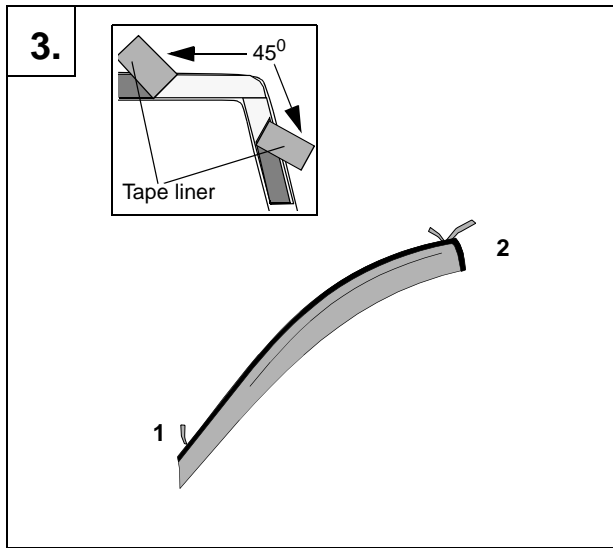
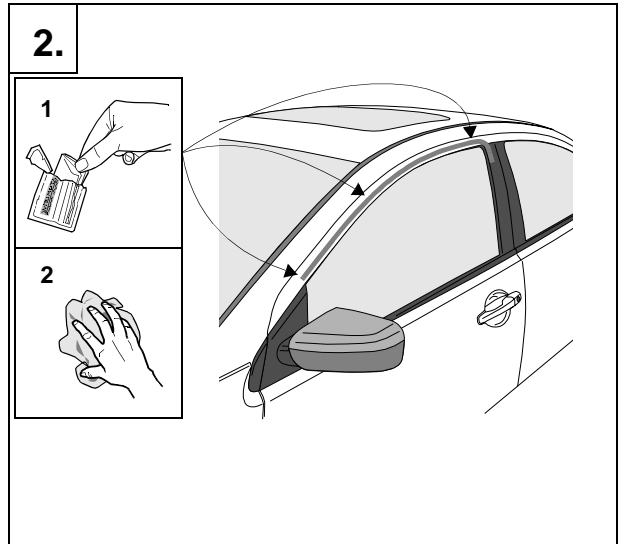
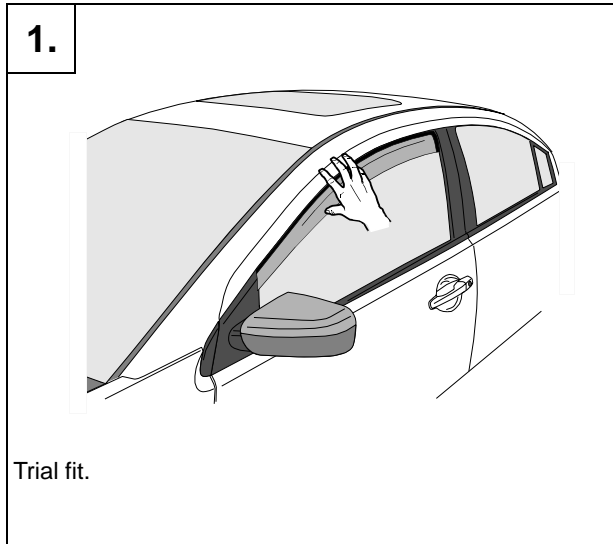
x1

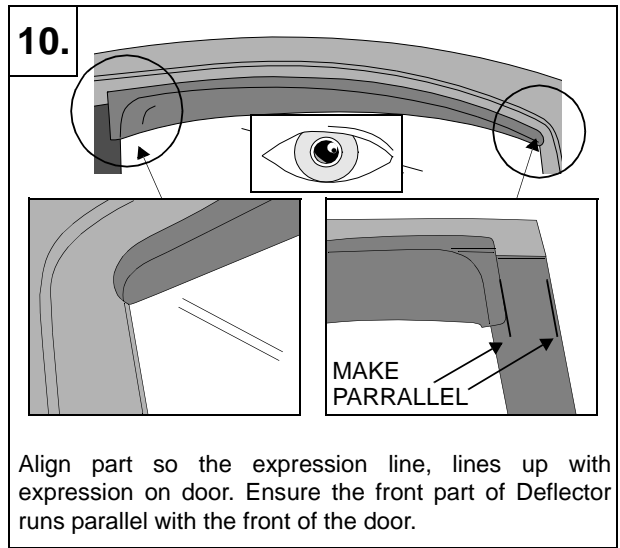
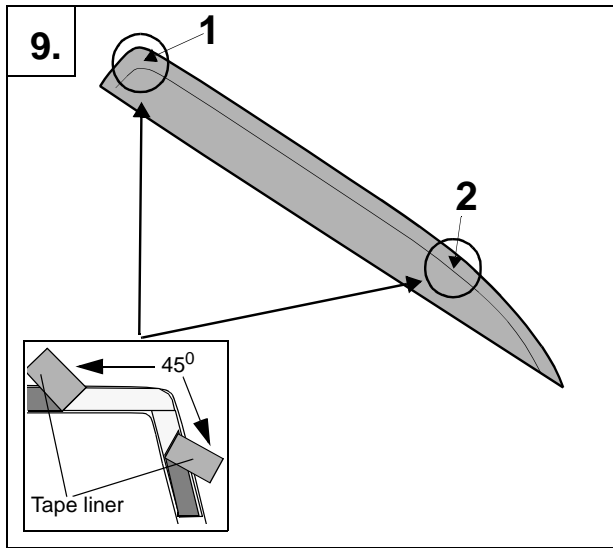
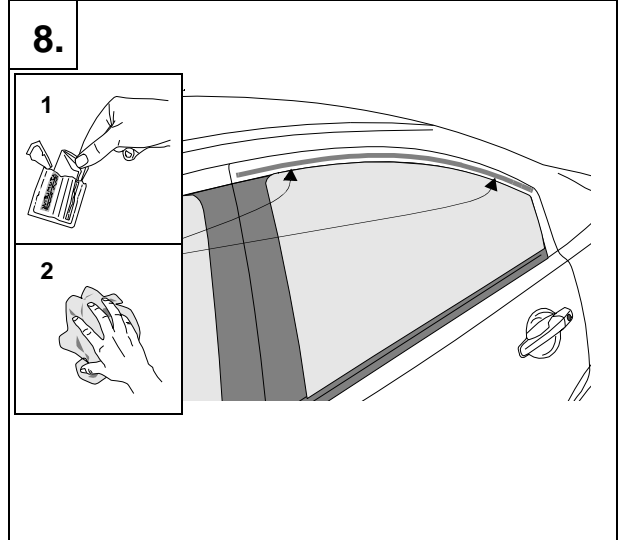
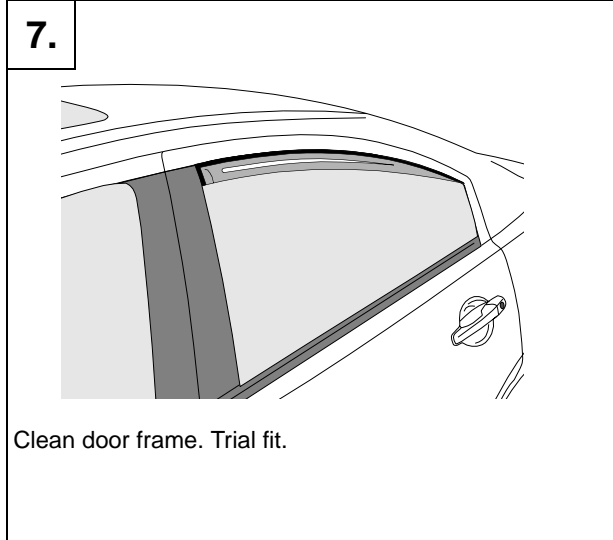


x1

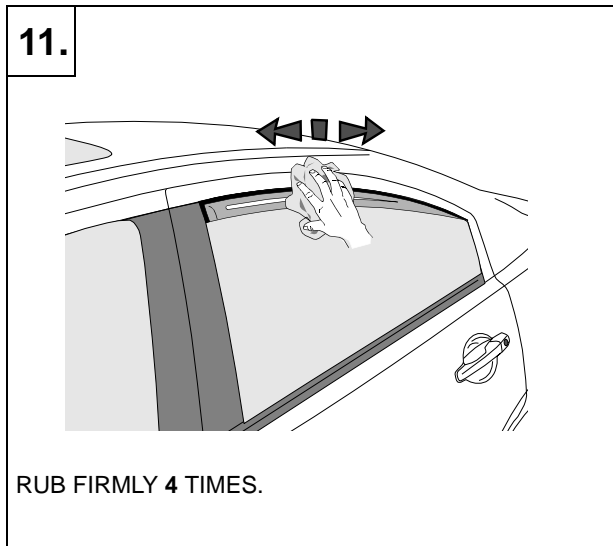


x4





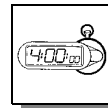
Align part so the expression line, lines up with expression on door. Ensure the front part of Deflector runs parallel with the front of the door.



Do not use abrasive cleaners.



Clean Deflector with a mild detergent and water solution.



Allow tape to cure for 4 hours before driving vehicle.