



INSTALLATION INSTRUCTIONS

Accessory
MOONROOF VISOR
P/N 08R01-TR0-101

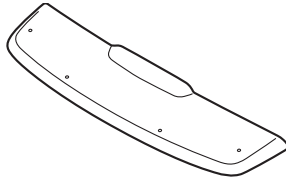
Application
2014 CIVIC
4-DOOR

Publications No.
All 50696
Issue Date
NOV 2013

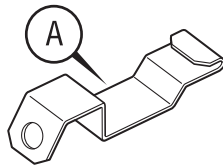
Put this information in the glove box with the vehicle owner's manual.

PARTS LIST

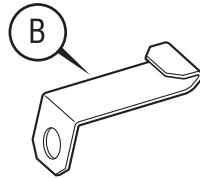
Moonroof visor



2 Front brackets
(marked A)



2 Side brackets
(marked B)



4 Screws



4 Nuts



4 Protective tapes



TOOLS AND SUPPLIES REQUIRED

Phillips screwdriver

10 mm Offset wrench

Ruler

Isopropyl alcohol

Shop towel

Masking tape

Felt-tip pen

Torque Screwdriver (T/N CDI401SM)

Available through the Honda Tool and Equipment program. On the iN, click on: Service/Service Bay/Tool and Equipment Program, then enter the number under "Search." Or call 888-424-6857.

High-quality paste wax

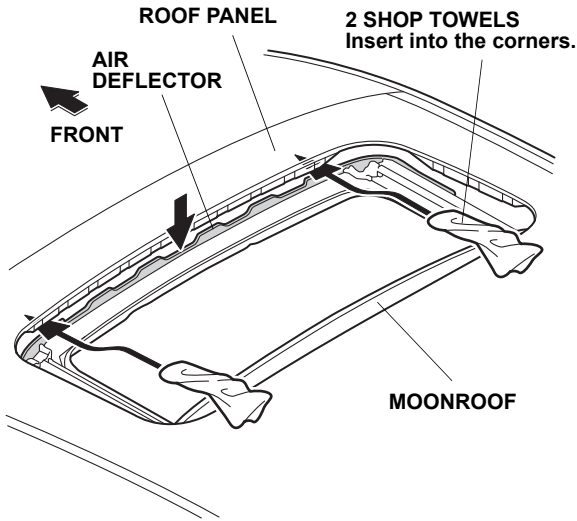
INSTALLATION

Customer Information: The information in this installation instruction is intended for use only by skilled technicians who have the proper tools, equipment, and training to correctly and safely add equipment to your vehicle. These procedures should not be attempted by "do-it-yourselfers."

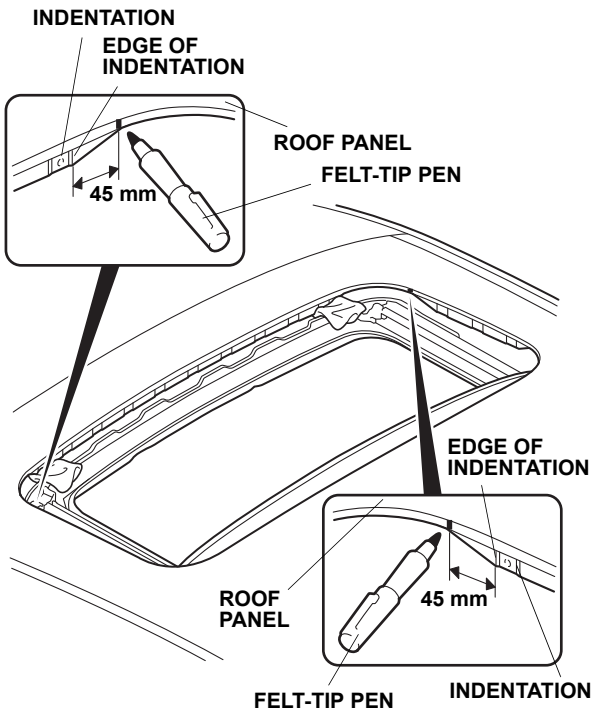
NOTE:

- Be careful not to damage the paint finish.
- This moonroof visor kit should be installed only if the ambient air temperature is 15°C (60°F) or above.
- To allow the adhesive to cure, do not wash the vehicle for 24 hours. Please advise the customer.

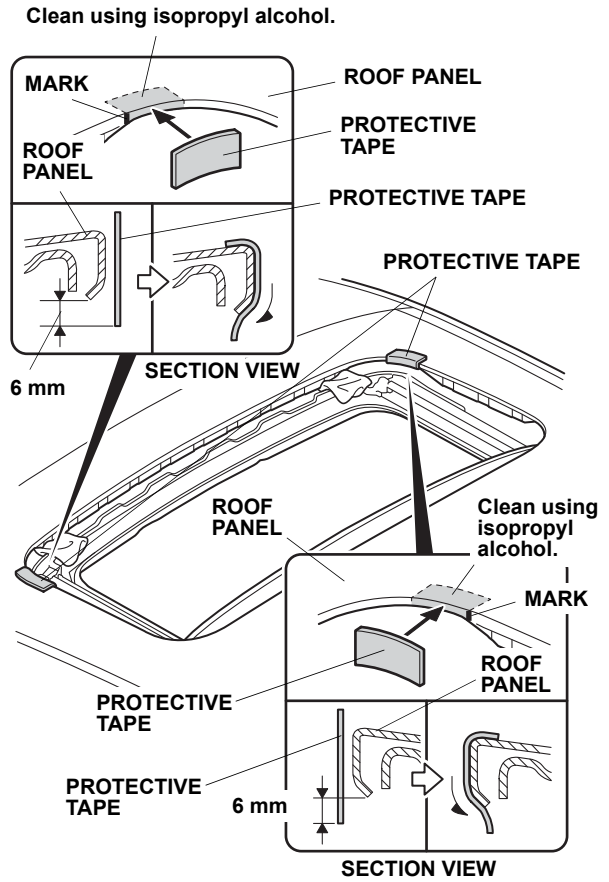
1. Clean and wax the area to be covered with a high-quality paste wax.
2. Open the moonroof. Roll up two shop towels, and insert them between the roof panel and air deflector to lower the air deflector. Be careful not to damage the air deflector.



3. Locate the edge of the indentation on the each side of the moonroof opening. Measure 45 mm to the front of the vehicle, and make two marks on the roof panel.

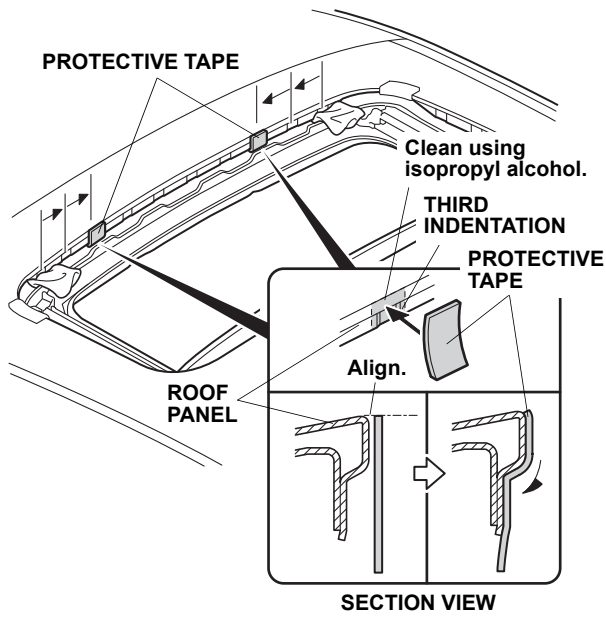


4. Using isopropyl alcohol on a shop towel, clean the roof panel at each of the two marks you made, but don't wipe off the marks.



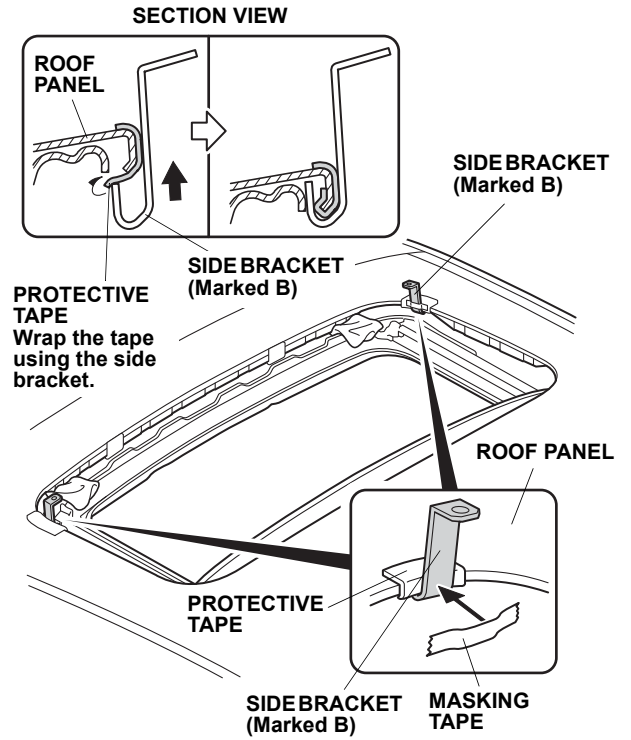
5. Remove the adhesive backings from two pieces of protective tape, and attach them to the roof panel at the two marks you made. Wrap 6 mm of each protective tape around the bottom lip of the roof panel. Remove the marks.

6. Locate the third indentation from each front corner. Using isopropyl alcohol on a shop towel, clean the roof area and the inside edge of the moonroof opening where the protective tapes will attach.

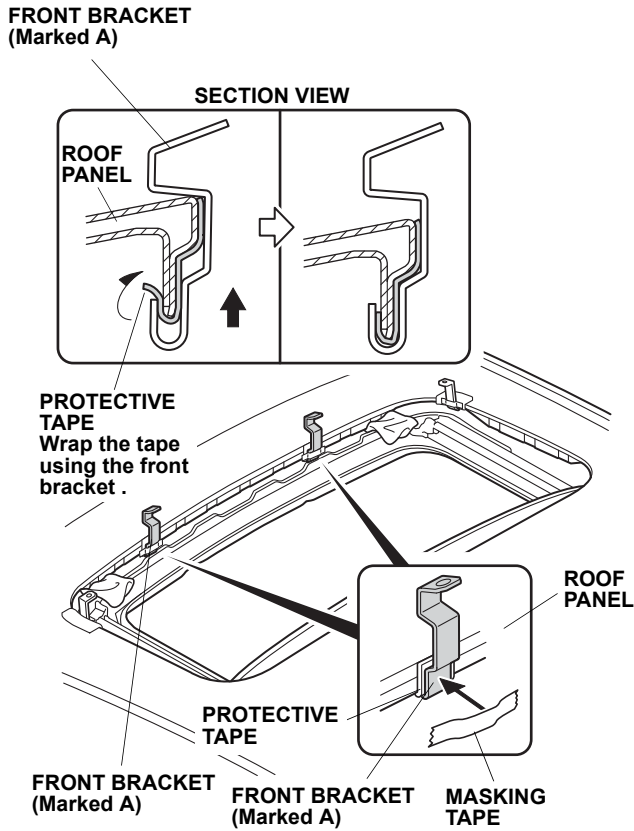


7. Remove the adhesive backing from two protective tapes. Starting at the top edge of the moonroof opening, wrap the protective tapes around the lip of the moonroof opening at the third indentations.

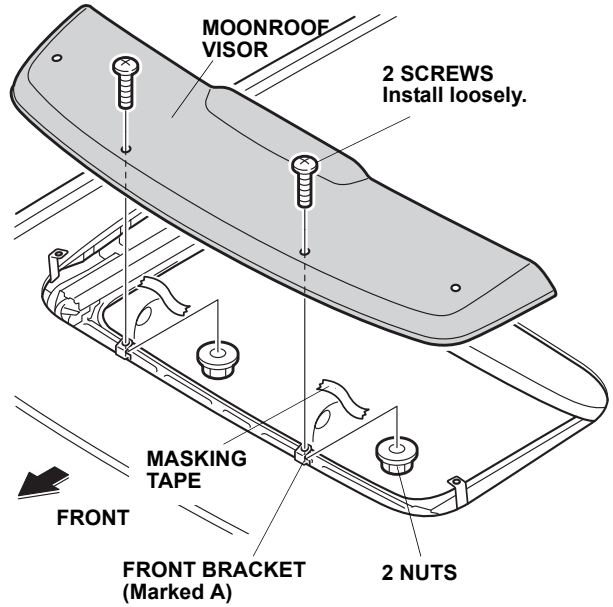
8. Place two side brackets (marked B) into position over the protective tape and around the lip of the roof opening. Hold them in position with masking tape.



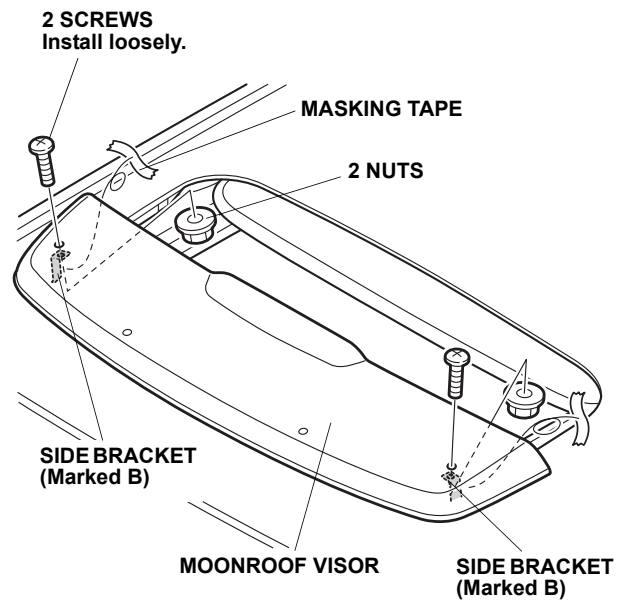
- Place the two front brackets (marked A) into position over the protective tape and around the lip of the roof opening. Hold them in position with masking tape. Align the lower ends of the front brackets with the indentations in the lip.



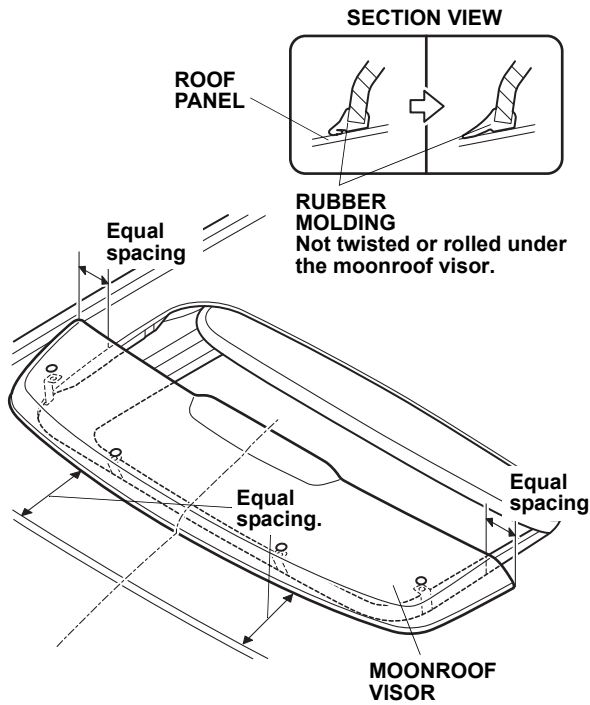
- Set the moonroof visor on the vehicle roof in front of the moonroof opening, and adjust its position so the holes in the moonroof visor are aligned with the bracket holes. Install the moonroof visor to the front brackets with two screws and two loosely-installed nuts. Remove the masking tape.



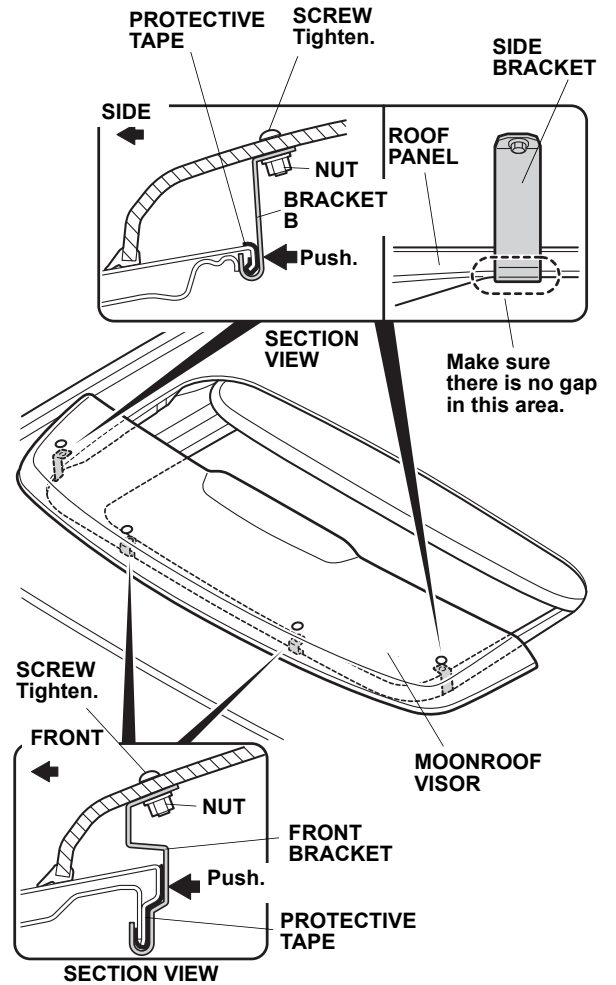
- Install the moonroof visor to the side brackets with two screws and two loosely-installed nuts. Remove the masking tape.



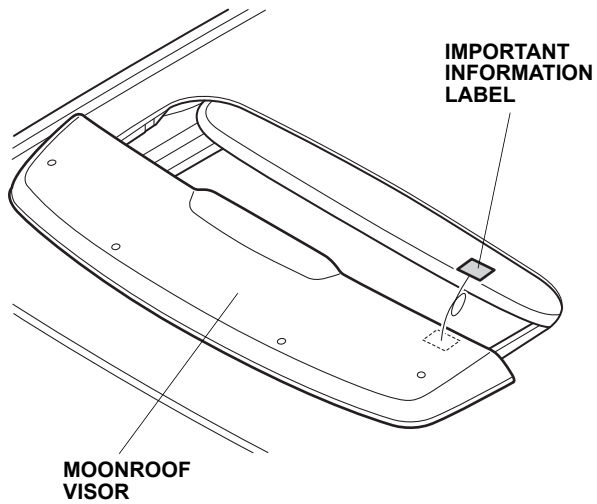
12. Position the moonroof visor with equal spacing on all sides. Check that the rubber molding is not twisted or rolled under the moonroof visor.



13. Tighten the two screws and two nuts on the sides of the visor first, then tighten the two screws and two nuts on the front. Tighten while applying pressure so there is no gap between the roof panel and the brackets. Torque the screws to 2.0 N·m (1.5 lbf·ft).



14. Remove the shop towels inserted in step 2. Remove the IMPORTANT INFORMATION label.



CARE OF THE MOONROOF VISOR

- To avoid damaging the surface, do not use organic solvents such as gasoline, ammonia based cleaners, or solvents to the moonroof visor.
- Clean with neutral detergent and water using a soft cloth or chamois.
- To remove fine scratches and restore the original luster, use Meguiar's Mirror Glaze plastic cleaner and polish or an equivalent high-quality plastic cleaner.