



Installation instructions

Bicycle rack

for scope of delivery 8T0.071.128

Audi Genuine Accessories®

Edition 03.2011



Contents

| | | |
|----------|--|-----------|
| 1 | General notes | 1 |
| 2 | Safety notes | 2 |
| 3 | Scope of delivery and overview of components | 6 |
| 3.1 | overview of components | 6 |
| 4 | Bicycle rack basic installation | 7 |
| 5 | Installing/removing the bicycle rack and bicycle | 9 |
| 5.1 | Installing the bicycle rack on the roof bars | 9 |
| 5.2 | Removing the bicycle rack from the roof bars | 10 |
| 5.3 | Installing the bicycle on the bicycle rack | 10 |
| 5.4 | Removing the bicycle from the bicycle holder | 13 |
| 6 | Additional installation work | 14 |
| 6.1 | Changing the installation direction — to make it easier to secure the bicycle on the left-hand side of the vehicle | 14 |
| 6.2 | Checking the installation of the retainer | 15 |



1 General notes

Please read these instructions carefully and note the WARNING, Caution and Note descriptions before installing the bicycle rack.

 **WARNING**

Text with this symbol contains information concerning your safety and indicates potential accident and injury risks.

 **Caution**

Text with this symbol indicates the risk of damage to your vehicle.

 **Note**

Text with this symbol contains additional information.

Audi AG shall not accept responsibility in the event of failure to comply with these assembly instructions.



2 Safety notes

 **WARNING**

The procedures and safety notes detailed in these instructions for the installation, handling and use of the bicycle rack must always be observed.

- ◆ *Deviating from these instructions even slightly can cause the bicycle rack or the mounted bicycle to come loose.*
- ◆ *The bicycle rack is designed such that the vehicle will not be damaged if components are installed, handled and used properly.*
- ◆ *The manufacturer is not liable for any damage resulting from failure to comply with the installation procedure or notes specified.*
- ◆ *All forms of warranty claim against the manufacturer are invalidated if installation, handling or use of the components are not carried out as specified in these instructions.*

 **WARNING**

The bicycle rack for the roof bars is only suitable for transporting bicycles.

- ◆ *Replace damaged components immediately.*
- ◆ *Do not use elasticated straps or bungee cords!*

Roof load and bicycle rack load

 **WARNING**

Never exceed

- ◆ *the maximum permissible roof load*
- ◆ *the gross axle weight rating*
- ◆ *the gross vehicle weight rating*

for your vehicle ⇒ Vehicle Owner's Manual — Risk of accident!



The bicycle rack may be loaded with a single bicycle weighing up to 17.0 kg (37.5 lbs.).

Calculating the roof load

| | |
|--|----------------------------|
| Roof bars | approx. 7.0 kg (15.4 lbs.) |
| + | |
| Bicycle rack | 4.1 kg (9.0 lbs.) |
| + | |
| Bicycle (max. 17.0 kg (37.5 lbs.) per bicycle) | x kg (lbs.) |
| + | |
| Other roof loads | x kg (lbs.) |
| = | |
| ≤ Max. roof load | ⇒ Vehicle Owner's Manual |

Note

The bicycle rack is designed for use with roof bars featuring the „AUDI T groove“ system.

Sensitivity to side winds

Using the bicycle rack alters how the vehicle handles. The effect of side winds on the vehicle increases and turning and braking performance are affected.

WARNING

The driving and braking behaviour and the vehicle's sensitivity to side winds are changed due to roof load. Adapt your driving style accordingly — risk of accident!

It is recommended that you do not exceed 130 km/h (81 mph).

When driving in strong side winds, make sure that you take extra care:

- ◆ when moving into and out of the slipstreams of lorries
- ◆ when driving past hedgerows, trees, walls and buildings as well as any other wind barriers
- ◆ When driving over bridges.

Note the altered vehicle height. Pay particular attention to:

- ◆ Low-hanging branches
- ◆ Passages with reduced head-room clearance
- ◆ Entrances to garages with reduced head-room clearance
- ◆ Height restrictions posed by multi-storey car parks, underground car parks, bridges, tunnels and underpasses.



Load — room to open boot lid

⚠ Caution

To prevent damage to the vehicle, make sure that you open the boot lid carefully when installing the bicycle rack. For vehicles featuring automatic boot lid operation, it is recommended that you adjust the opening angle as necessary ⇒ Vehicle Owner's Manual.

General safety notes

⚠ WARNING

Please read these assembly instructions carefully before starting installation. Non-compliance with these assembly instructions and safety notes will compromise your safety and that of third parties.

⚠ WARNING

All bolt connections and connections for the roof bars and for the add-on components must be checked prior to travelling to make sure they are positioned and installed correctly. Tighten if necessary.

Recheck bolted connections and connections at appropriate intervals and tighten if necessary. The bolted connections and connections must be checked at short intervals if travelling on a poor stretch of road.

If this guideline is not observed, this can result in the roof bars or the add-on components becoming loose or falling off — risk of accident!

⚠ WARNING

For the safety of other road-users, the roof bars and any add-on components must be removed from the vehicle when they are not being used.

⚠ WARNING

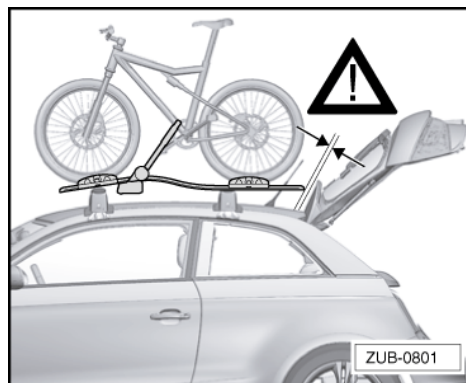
Repairs or the replacement of parts must only be performed by a qualified workshop. It is recommended that genuine spare parts available from your Audi partner are used.

⚠ Caution

Do not enter a car wash with roof bars with/without add-on components installed.

i Note

Driving with the bicycle rack attached can cause increased wind noise.





 **Note**

- ◆ *Observe the relevant statutory regulations for using bicycle racks in other countries.*
- ◆ *Remove the bicycle rack when it is not in use.*
- ◆ *We reserve the right to make technical changes.*



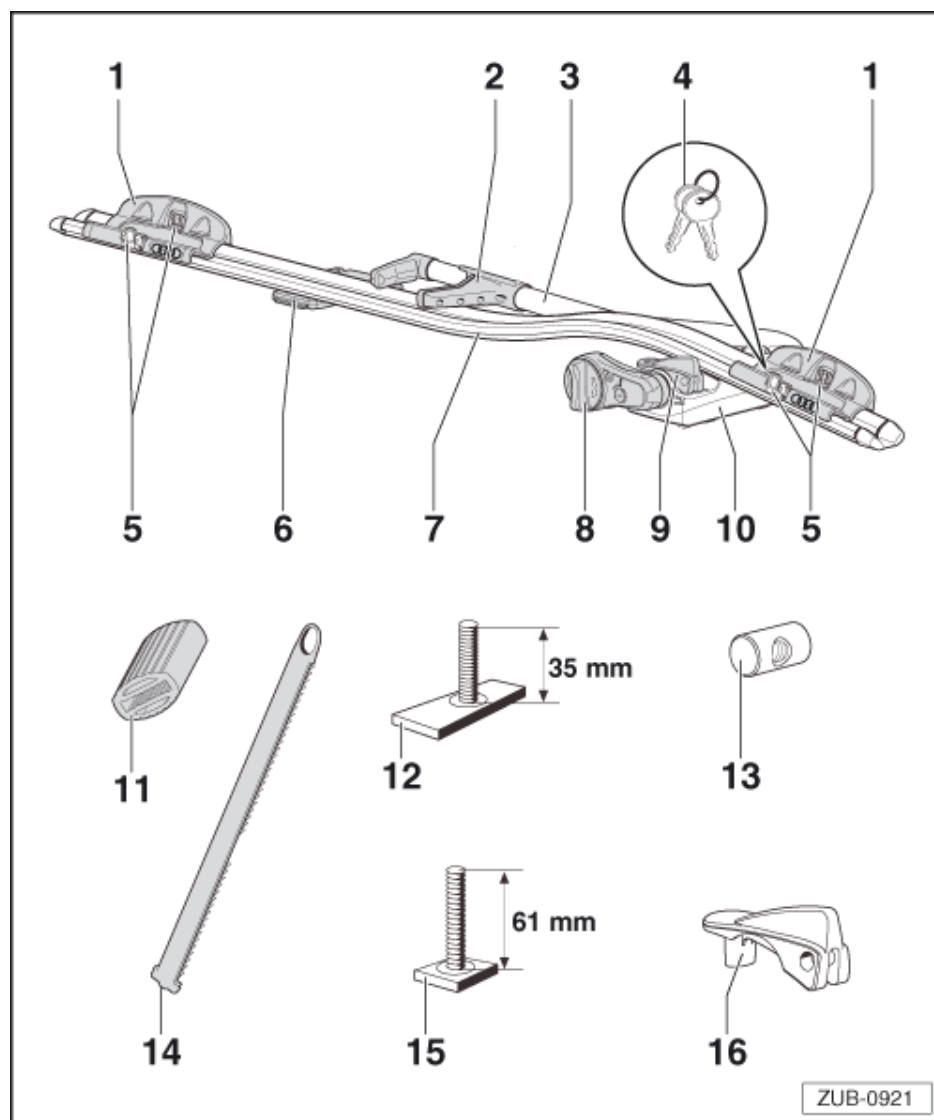
3 Scope of delivery and overview of components

| Quantity | Component |
|----------|---|
| 1 | Bicycle rack |
| 2 | Key |
| 2 | Long T groove screw ¹⁾ |
| 1 | Short T groove screw ¹⁾ |
| 2 | Tensioning lever without lock ¹⁾ |
| 3 | Bolt with internal thread ¹⁾ |
| 2 | Tensioning belt ¹⁾ |
| 2 | Rim protector ¹⁾ |

¹⁾ Contents of plastic bag

3.1 overview of components

- 1 - Wheel mount (2x)
- 2 - Fastener (1x)
- 3 - Retainer (1x)
- 4 - Key (2x)
- 5 - Tightener (4x)
- 6 - Movable bearing (rear) (1x)
- 7 - Support bar (1x)
- 8 - Rotary knob (quick-clamp function) (1x)
- 9 - Tensioning lever with lock (1x)
- 10 - Base (1x)
- 11 - Rim protector (2x)
- 12 - Short T groove screw (1x)
- 13 - Bolt with internal thread (3x)
- 14 - Tensioning belt (2x)
- 15 - Long T groove screw (2x)
- 16 - Tensioning lever without lock (2x)



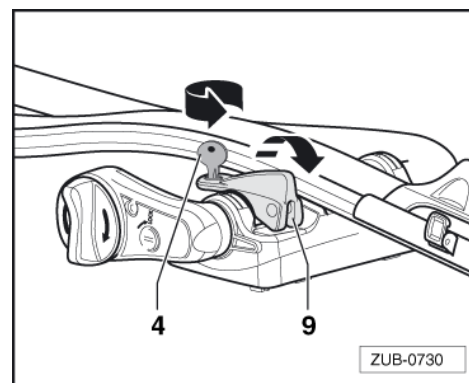


4 Bicycle rack basic installation

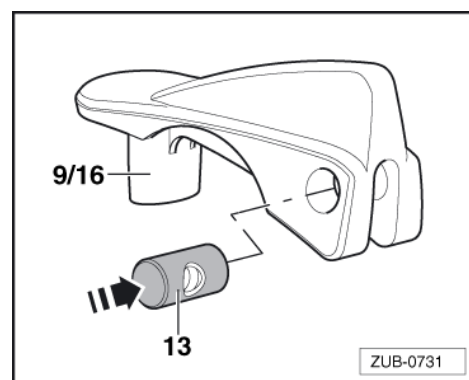
WARNING

With some vehicle models, the bicycle rack may only be installed facing towards the front of the vehicle. Please refer to the installation instructions for the roof bars in question — risk of accident!

- Before installation, check that you have all the components from the scope of delivery.
- Use the key -4- provided to open the lock on the tensioning lever with lock -9-; then remove both the tensioning lever and the lock.



- Insert the bolts with internal thread -13- into the tensioning lever with lock -9- and the tensioning lever without lock -16- (2x).

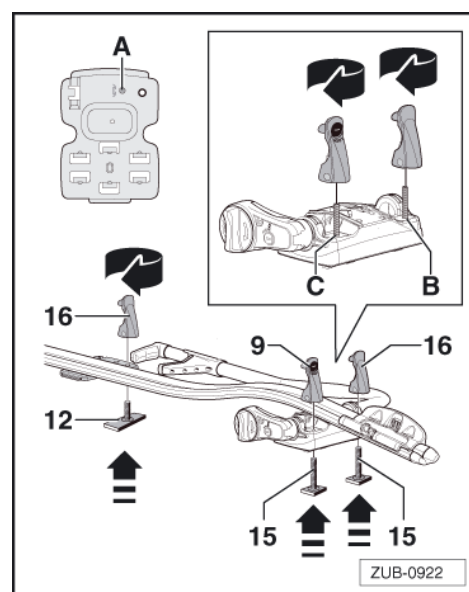


- Route the short T groove screw -12- through the bore hole -A- in the movable bearing (rear) -6- from underneath and tighten the tensioning lever without lock -16- by between one and three turns.
- Route the long T groove screw -15- through the bore holes -B- in the base from underneath and tighten the tensioning lever without lock -16- by between one and three turns.
- Route the long T groove screw -15- through the bore holes -C- in the base from underneath and tighten the tensioning lever with lock -9- by between one and three turns.



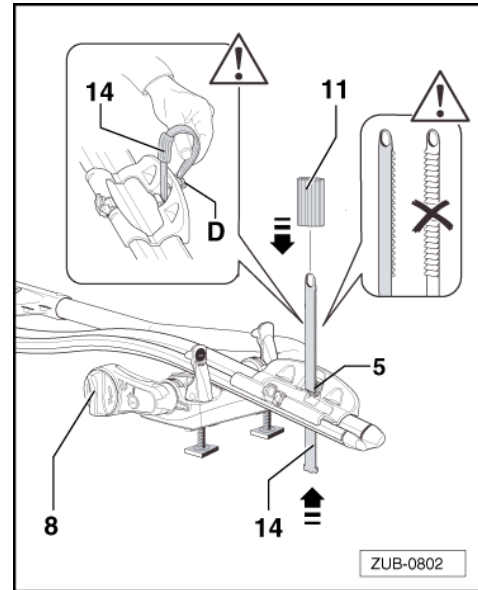
Note

Mount the tensioning lever with lock to the side angled towards the rotary knob.

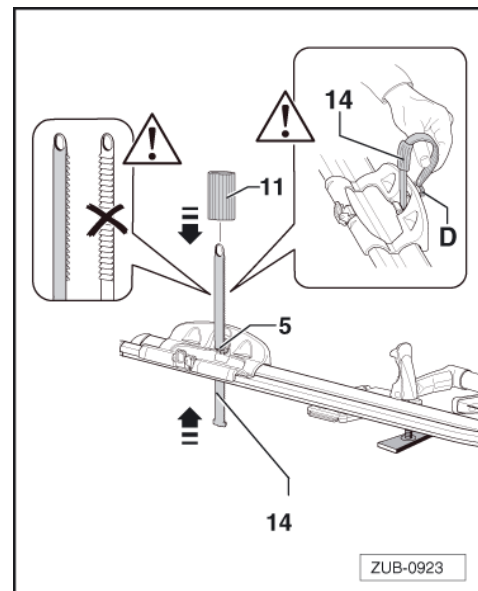




- Press the tightener -5- on the front wheel mount against the side angled away from the rotary knob -8-. Push the tensioning belt -14- as far as it will go through the tightener -5- from underneath (the smooth side of the tensioning belt should be facing the support bar).
- Place the rim protector -11- on the tensioning belt -14- from above.
- Bend the tensioning belt -14- towards the rear and insert it in the tensioning belt holder -D- on the wheel mount -1-.



- Press the tightener -5- on the rear wheel mount against the side angled away from the rotary knob. Push the tensioning belt -14- as far as it will go through the tightener -5- from underneath (the smooth side of the tensioning belt should be facing the support bar).
- Place the rim protector -11- on the tensioning belt -14- from above.
- Bend the tensioning belt -14- towards the rear and insert it in the tensioning belt holder -D- on the wheel mount -1-.





5 Installing/removing the bicycle rack and bicycle

5.1 Installing the bicycle rack on the roof bars

i Note

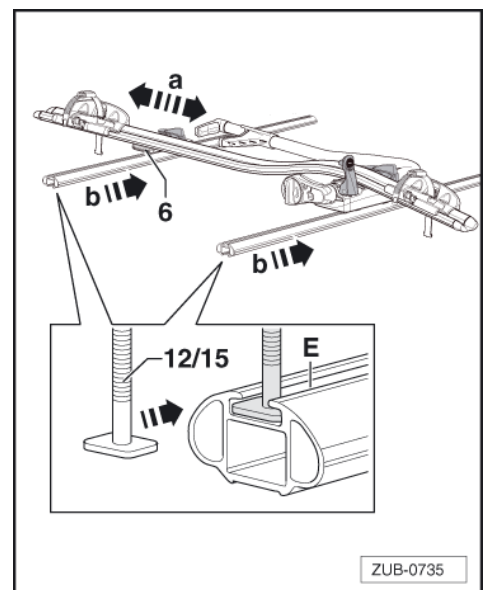
The bicycle rack as supplied from the factory is designed for installation on the right-hand side of the vehicle. The bicycle rack can be modified if installation on the left-hand side of the vehicle is required ⇒ „Changing the installation direction — to make it easier to secure the bicycle on the left-hand side of the vehicle“ on page 14.

- Set the appropriate distance between the individual roof bars -arrow a- by adjusting the movable bearing (rear) -6-.

⚠ WARNING

Make sure that the T groove screws marked -12- and -15- (2x) are inserted fully into the grooves -E- — risk of accident!

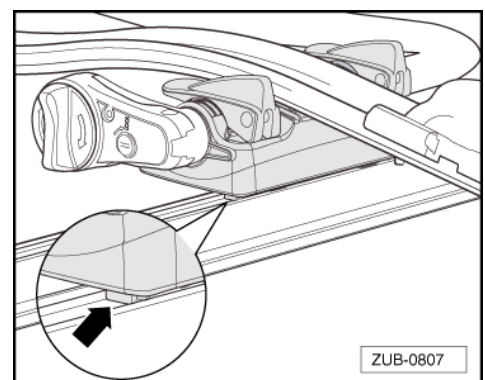
- Insert the bicycle rack T groove screws marked -12- and -15- in the grooves -E- on the roof bars and slide the bicycle rack into the required position parallel to the roof bars -arrows b-.



- Align the bicycle rack such that the locating pins -arrow- slot into the T groove on the roof bars.

⚠ WARNING

The locating pins -arrow- must be positioned in the T groove on the roof bars when the tensioning lever is tightened; otherwise they could work loose and parts might be lost — risk of accident!



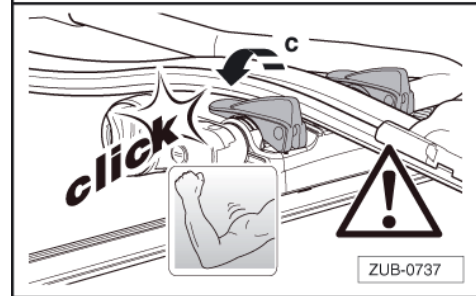
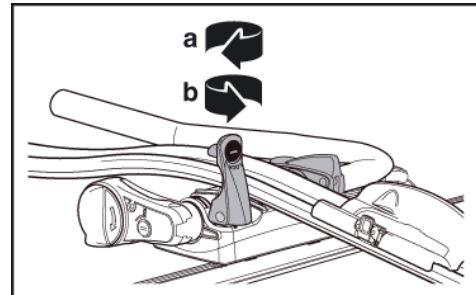


- Rotate the three tensioning levers clockwise through 10 to 12 turns -arrow a-.
- Exert pressure -arrow c- to close the tensioning lever.

! Caution

If you do not exert sufficient pressure when closing the tensioning lever, the bicycle rack will not be securely seated and may work loose!

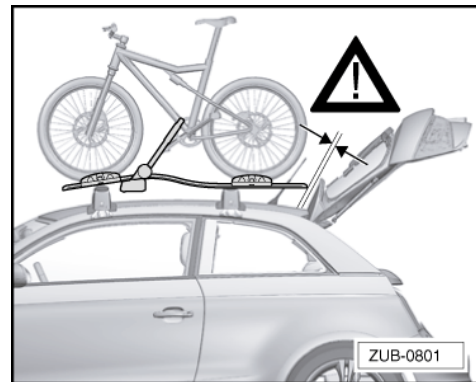
- If the tensioning lever in question cannot be closed, rotate it anticlockwise through one turn -arrow b- and then exert pressure to close it -arrow c-.
- If the tensioning lever in question can be closed without exerting pressure, rotate it clockwise through one turn -arrow a- and then exert pressure to close it -arrow c-.
- Use the key provided -4- to close the lock on the tensioning lever with lock -9-.



Load — room to open boot lid

! Caution

To prevent damage to the vehicle, make sure that you open the boot lid carefully when installing the bicycle rack. For vehicles featuring automatic boot lid operation, it is recommended that you adjust the opening angle as necessary ⇒ Vehicle Owner's Manual.



5.2 Removing the bicycle rack from the roof bars

- The bicycle rack can be removed by following the above steps in reverse order.

5.3 Installing the bicycle on the bicycle rack

! WARNING

Remove child seats and loose objects such as drinks bottles and saddle bags before loading.

Do not cover bicycles with tarpaulins, protective covers or any other cover.



Permissible frame sizes

| Item | a | b |
|------|---------------------------|----------------------------|
| -1- | Min. 22 mm; max. 80 mm | Min. 22 mm; max. 100 mm |
| -2- | Min. 22 mm; max. 80 mm | |

- Use the key provided -4- to open the lock on the rotary knob -8-.
- Swivel the retainer -3- upwards -arrow a-.
- Place the bicycle carefully on the bicycle rack and hold it in place.

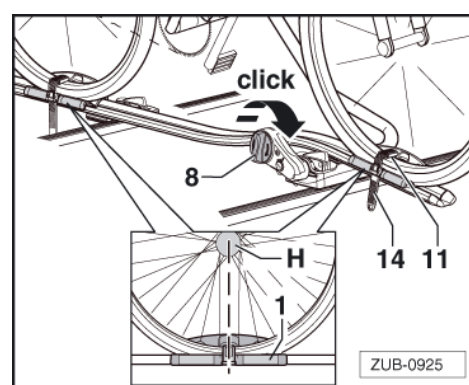
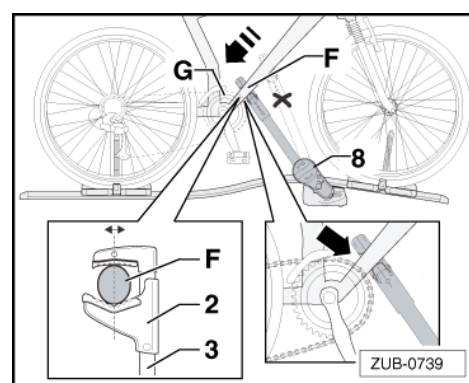
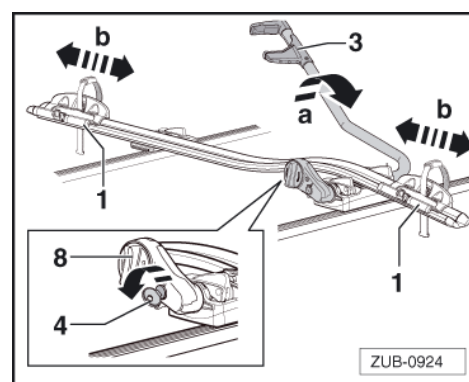
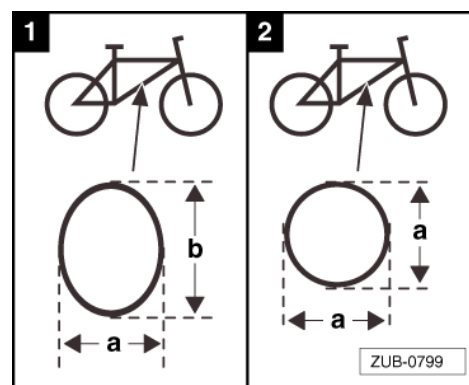
- Position the fastener -2- on the down tube -F- of the vehicle frame in the vicinity of the chain wheel -G-.

⚠ Caution

The fastener -2- on the retainer -3- must be located as close as possible to the chain wheel -arrow-.

Position the down tube -F- in the centre of the fastener -2- on the retainer -3-.

- Turn the rotary knob -8- to the right until the fastener -2- holds the down tube -F- gently in place.
- Align the wheel mounts -1- vertically below the wheel hubs -H-.
- Turn the rotary knob -8- to the right as far as it will go.
- Route the tensioning belt -14- between the spokes and over the wheel rim. The rim protector -11- must be positioned centrally over the rim.



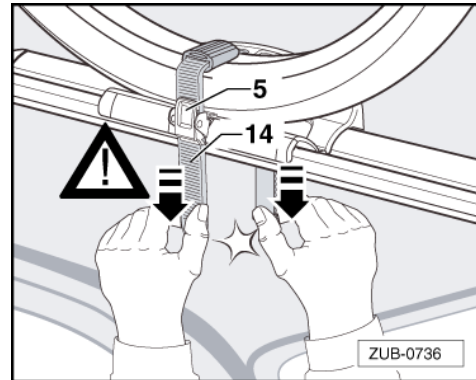


- Insert the tensioning belt -14- in the tightener -5- and align it centrally.

! Caution

Ensure that there is a gap between the tensioning belt -14- and the roof of the vehicle — risk of roof damage!

- Tighten the tensioning belt -14- evenly on each side.
- Install the second tensioning belt -14- following the same procedure.
- Shake the bicycle to check that it is securely seated.
- Use the key provided -4- to close the lock on the rotary knob -8-.



! WARNING

Check that the bicycle rack and the bicycle to be transported are securely attached:

- ◆ before the start of every journey
- ◆ after approx. the first 10 km
- ◆ approx. every 500 km on good roads
- ◆ frequently on poor roads (due to vibration)
- ◆ regularly to ensure that there has been no movement/ displacement

If the bicycle rack and bicycle are not checked to make sure that they are secure and to check whether any fixtures need tightening, they could work loose and parts might be lost, even if installation was carried out properly — risk of accident!

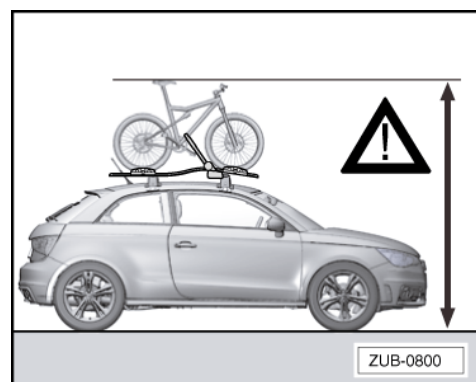
Observe the safety notes for the bicycle rack ⇒ „Safety notes“ on page 2.

- Calculate the new height of the vehicle with the bicycle attached.

! WARNING

Note the altered vehicle height. Pay particular attention to:

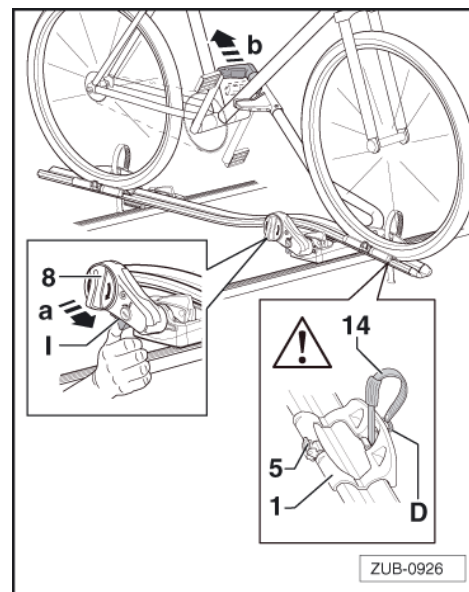
- ◆ Low-hanging branches
- ◆ Passages with reduced head-room clearance
- ◆ Entrances to garages with reduced head-room clearance
- ◆ Height restrictions in multi-storey car parks and underground car parks.





5.4 Removing the bicycle from the bicycle holder

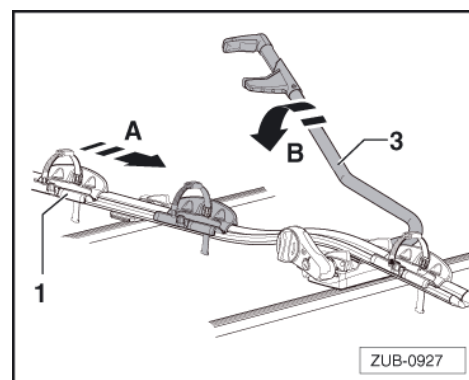
- Open the tighteners -5- and then bend the tensioning belt -14- towards the rear and insert it in the tensioning belt holder -D- on the wheel mount -1-.
- Use the key provided -4- to open the lock on the rotary knob -8-.
- Hold the bicycle in place and press the lever -I- under the rotary knob -8- -arrow a- to open the fastener -2- on the retainer -3- -arrow b-.
- Remove the bicycle carefully from the bicycle rack.



- Once the bicycle has been removed, push the rear wheel mount -1- forwards -arrow A- until the retainer -3- can be supported.
- Swivel the retainer -3- downwards -arrow B- and place it on the wheel mount -1-.

⚠ Caution

Ensure that there is a gap between the tensioning belt -14- and the roof of the vehicle — risk of roof damage!

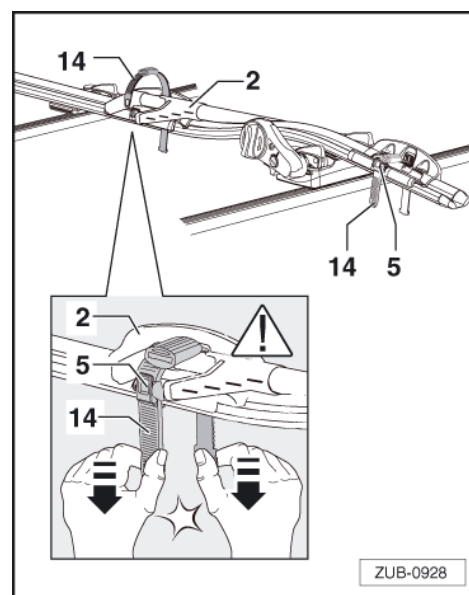


- Route the tensioning belt -14- over the retainer -2-, align it centrally and insert it in the tightener -5- to secure the retainer.
- Insert the front tensioning belt -14- in the tightener -5- and align it centrally.

⚠ Caution

Ensure that there is a gap between the tensioning belt -14- and the roof of the vehicle — risk of roof damage!

- Tighten the tensioning belt -14- evenly on each side.



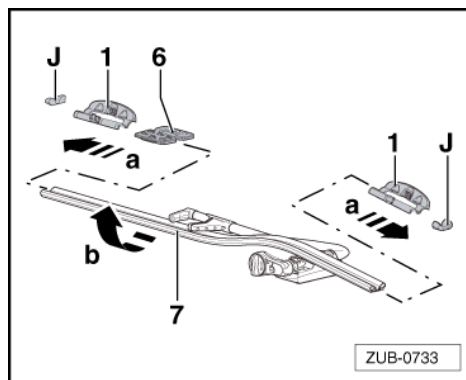


6 Additional installation work

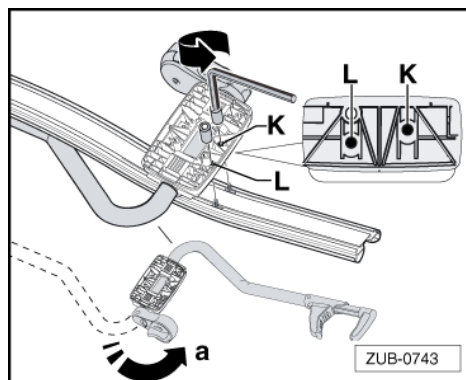
The additional installation work requires technical skill and special tools. It is therefore recommend that the work be carried out by an Audi partner or a qualified workshop.

6.1 Changing the installation direction — to make it easier to secure the bicycle on the left-hand side of the vehicle

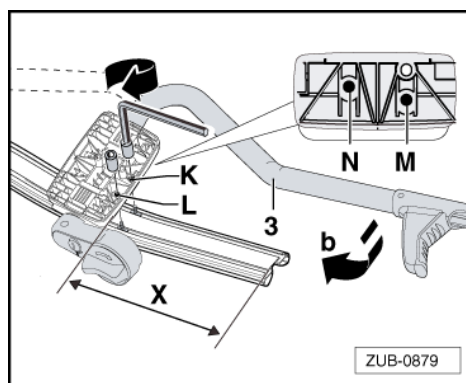
- Work is carried out with the bicycle rack removed.
- Remove the end pieces -J- from the ends of the support bar -7-.
- Remove the wheel mounts -1- and the movable bearing (rear) -6- -arrows a-.
- Rotate the bicycle rack -arrow b-.



- Use a 5-mm hexagon socket wrench to loosen and remove the nuts marked -K- and -L-.
- Remove the base and rotate it through 180 ° -arrow a-.



- Swivel the retainer -3- into the new basic position -arrow b-.
- Route the bolts through the bore holes marked -M- and -N- on the base.
- Position the base such that dimension -X- = 250 mm from the end of the support bar -7-.



⚠ Caution

The base must be located beneath the bicycle rack in its swivelled position — risk of roof damage.

- Screw the nuts onto the bolts in the bore holes marked -M- and -N- and tighten them to a torque of 6 Nm.

⚠ WARNING

If you do not have a torque wrench, please have the bolts tightened as necessary at a qualified workshop — risk of accident!

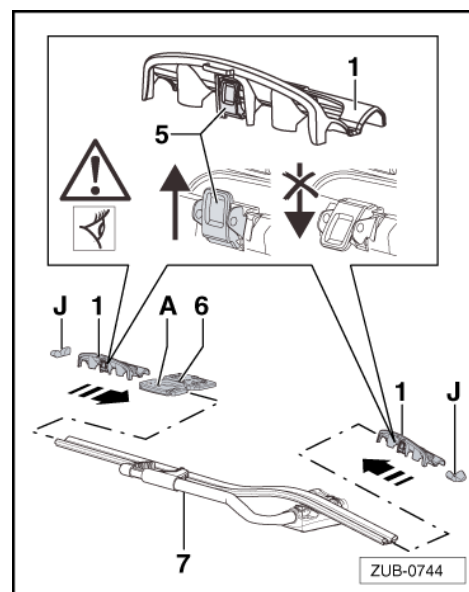


- Push the movable bearing (rear) -6- onto the support bar -7-; the bore hole -A- is located on the side angled away from the rotary knob.

⚠ WARNING

The tighteners -5- on the wheel mounts -1- must be angled upwards. If the tighteners are angled downwards, the tensioning belt will not engage — risk of accident!

- Check that the tighteners -5- on the wheel mounts -1- are angled upwards and make any adjustments that might be necessary.
- Push the wheel mounts -1- onto the support bar; the tallest side of the wheel mounts -1- should be located on the side angled away from the rotary knob.
- Place the end pieces -J- on the ends of the support bar -7-.



6.2 Checking the installation of the retainer

If the retainer is no longer staying in the required position, it is possible to increase the clamping force.

- Work is carried out with the bicycle rack removed.
- Rotate the bicycle rack.
- Tighten the 5-mm hexagon screws -arrows- such that the clamping force is sufficient but the retainer can still be adjusted.

