



INSTALLATION INSTRUCTIONS

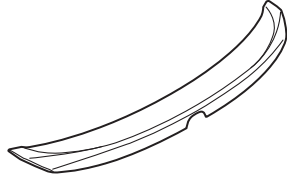
Accessory
DECK LID SPOILER

Application
2016 RLX

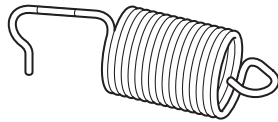
Publications No.
VERSION 1
Issue Date
JAN 2015

PARTS LIST

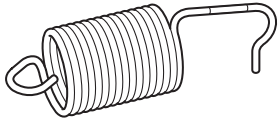
Trunk spoiler



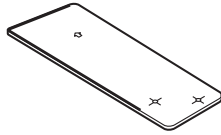
Left trunk spring (marked yellow)



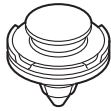
Right trunk spring (marked red)



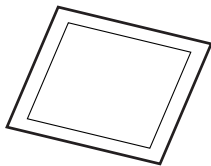
Template



4 Clips



Alcohol swab



TOOLS AND SUPPLIES REQUIRED

Phillips screwdriver

Flat-tip screwdriver

Drill

Eye protection (face shield, safety goggles, etc.)

Center punch

File

Touch-up paint

Felt-tip pen

Electrical tape

Tape

Masking tape

Heavy gloves

High-quality paste wax

Rope

The following tools are available through the Honda Tool and Equipment Program. On the iN, click on: Service > Service Bay > Tool and Equipment Program, then enter the number under "Search". Or, call 888-424-6857.

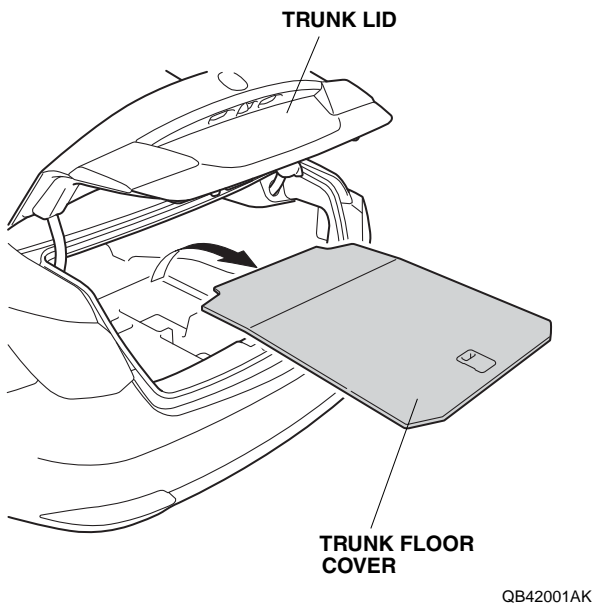
- Rubber Roller (T/N MHLE54D)
- Rotabroach Hole Cutting Kit (T/N BLR11201SO)

INSTALLATION

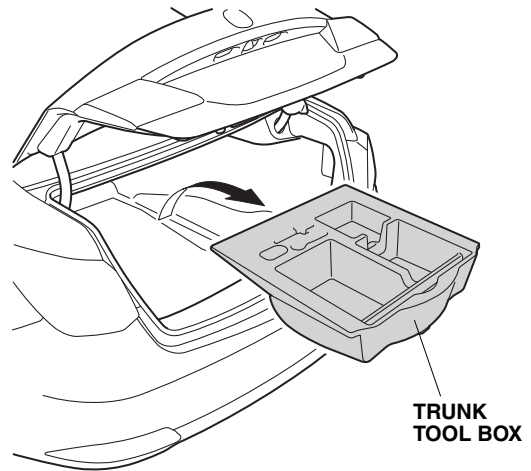
Client Information: The information in this installation instruction is intended for use only by skilled technicians who have the proper tools, equipment, and training to correctly and safely add equipment to your vehicle. These procedures should not be attempted by “do-it-yourselfers.”

NOTE:

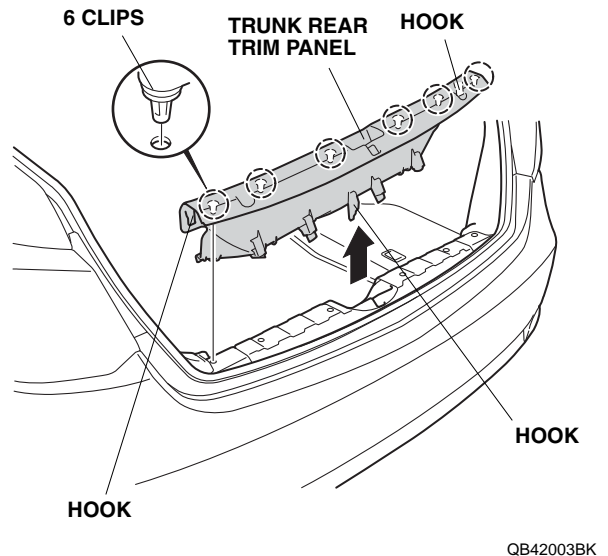
- Be careful not to damage the paint finish.
 - This deck lid spoiler kit should be installed only if the ambient air temperature is 15°C (60°F) or above.
 - Clean and wax the areas to be covered with a high-quality paste wax.
 - To allow the adhesive to cure, do not wash the vehicle for 24 hours. Please advise the client.
1. Open the trunk lid. Remove trunk floor cover.



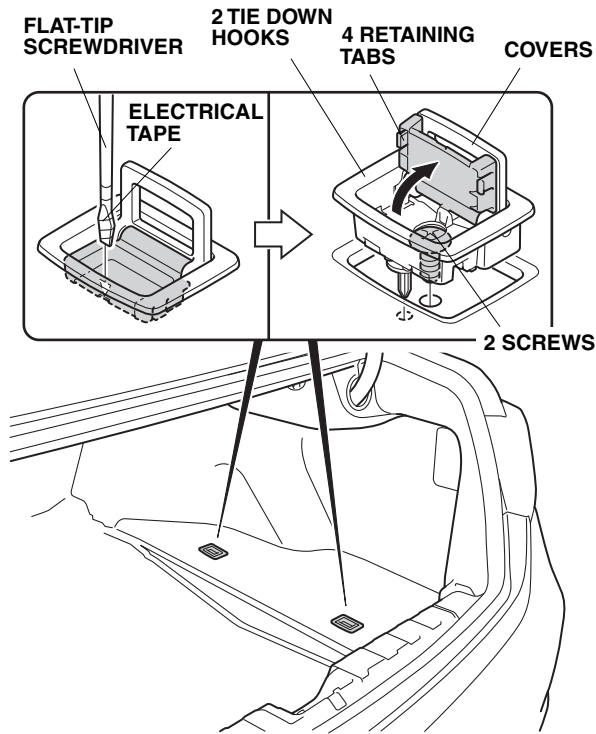
2. Remove the trunk tool box.



3. Remove the trunk rear trim panel (six clips and three hooks).

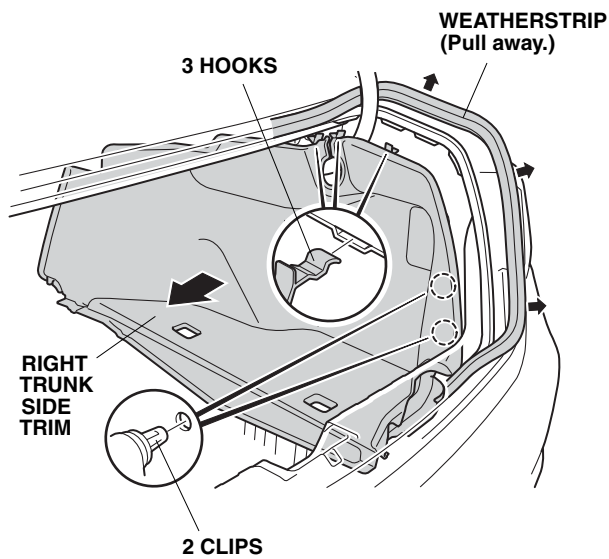


4. Remove the two tie down hooks.
 - Wrap electrical tape around the tip of a flat-tip screwdriver.
 - Open the covers (four retaining tabs).
 - Remove the two screws.



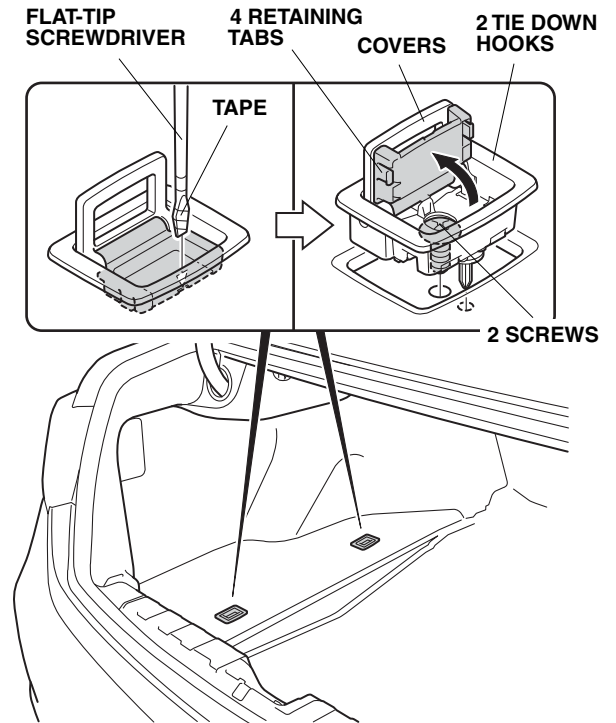
QB42004AK

5. Pull away the weatherstrip, and remove the right trunk side trim (two clips and three hooks).



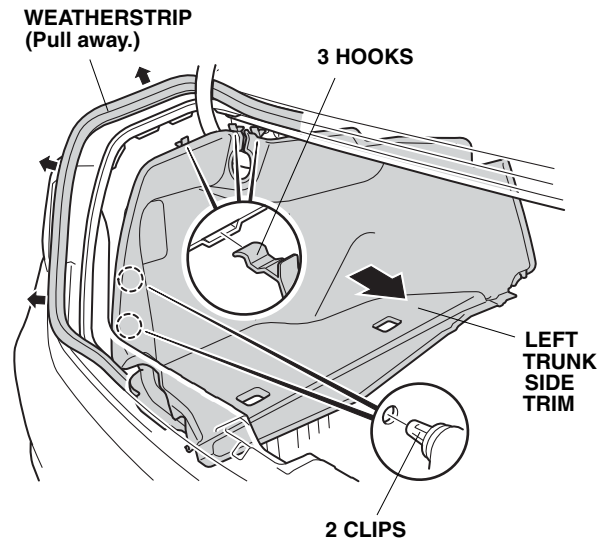
QB42005CK

6. Remove the two tie down hooks.
 - Wrap tape around the tip of flat-tip screwdriver.
 - Open the covers (four retaining tabs).
 - Remove the two screws.



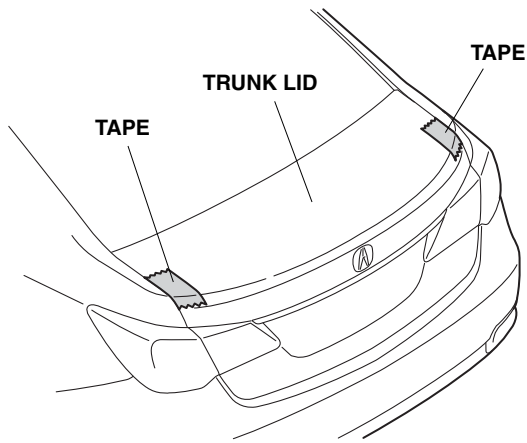
QB42501AK

7. Pull away the weatherstrip, and remove the left trunk side trim (two clips and three hooks).



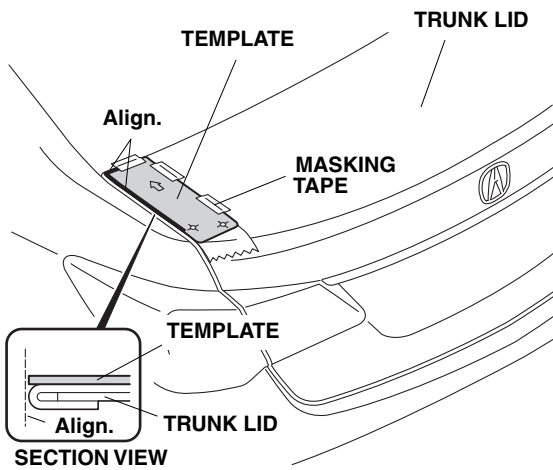
QB42502CK

- Close the trunk lid. Attach the strips of tape to the trunk lid as shown.



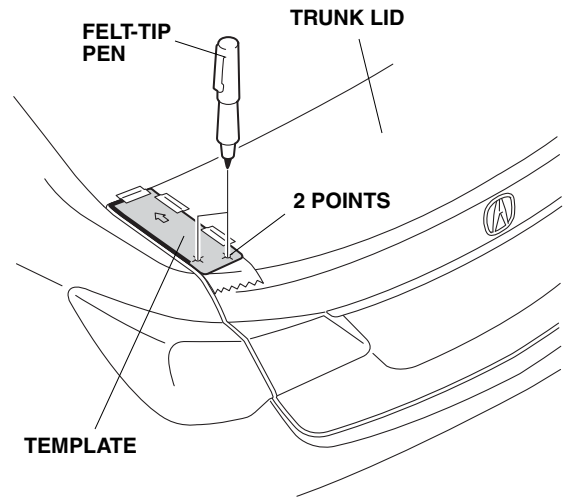
QB42601AK

- Align the template to the trunk lid as shown, and attach it with masking tape.



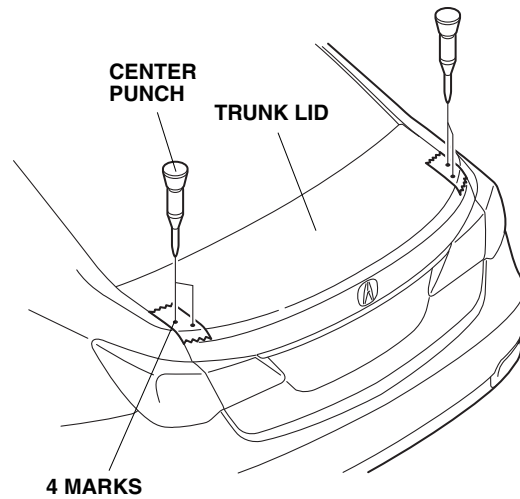
QB42602AK

- Using a felt-tip pen, mark two points through the template as shown.



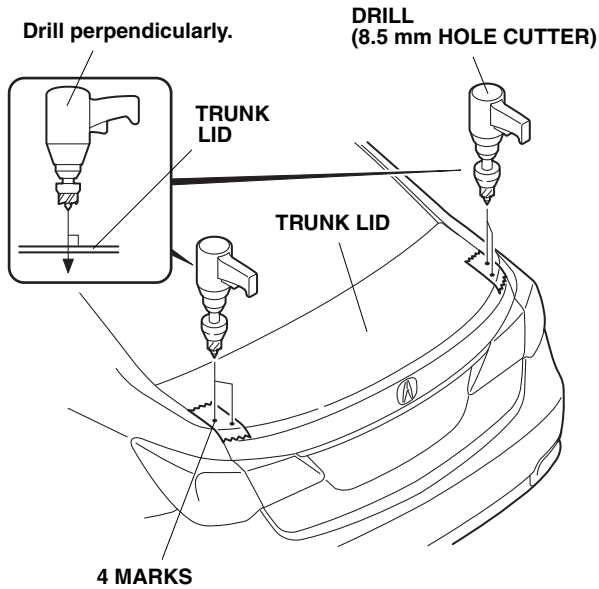
QB42603AK

- Remove the template. Turn the template over, and repeat steps 9 and 10 on the right side of the trunk lid.
- Using a center punch, punch the centers of the four marks. Set the center punch to the minimum power setting.



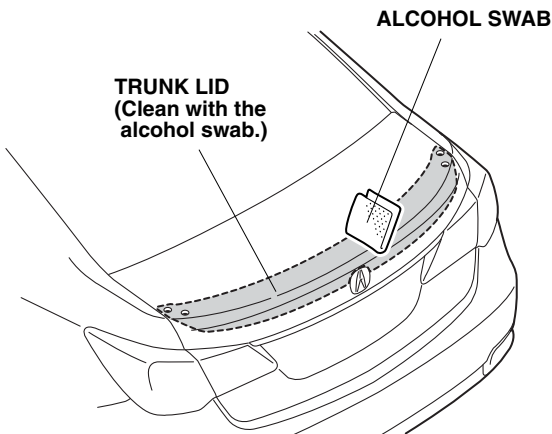
QB42604AK

- While wearing eye protection, drill four 8.5 mm holes at the marks with a 8.5 mm hole cutter. Drill perpendicular to the trunk lid. After drilling, remove any metal shavings from around the holes.



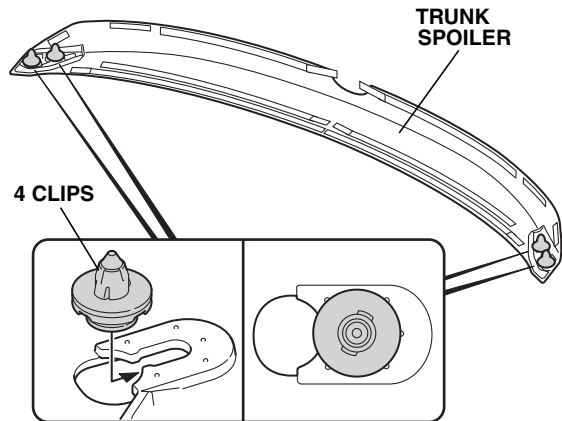
QB42605AK

- Remove the tape attached in step 8. Apply touch-up paint to the edges of the holes and allow the touch-up paint to dry.
- Using an alcohol swab, thoroughly clean the area where the trunk spoiler will attach.



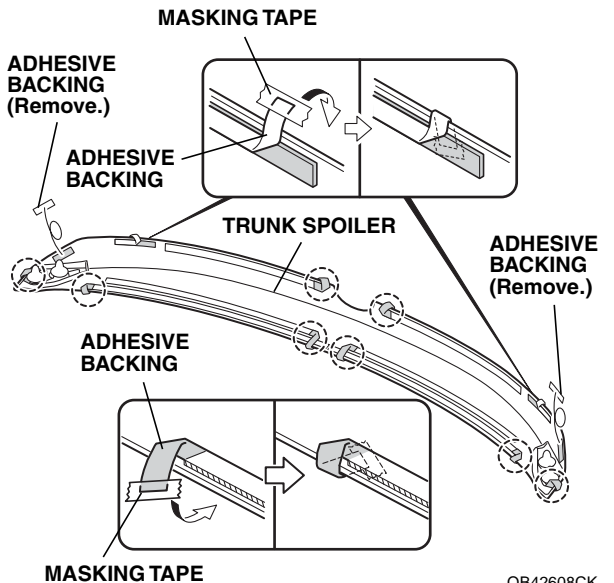
QB42606AK

- Install the four clips to the trunk spoiler.



QB42607CK

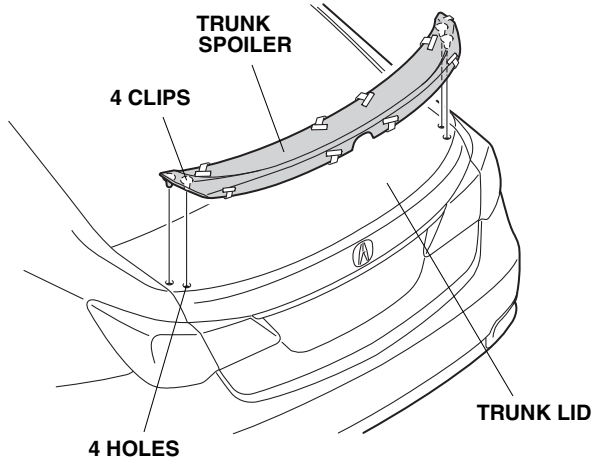
- Peel back the adhesive backings, and tape the ends to the front surface of the trunk spoiler.



QB42608CK

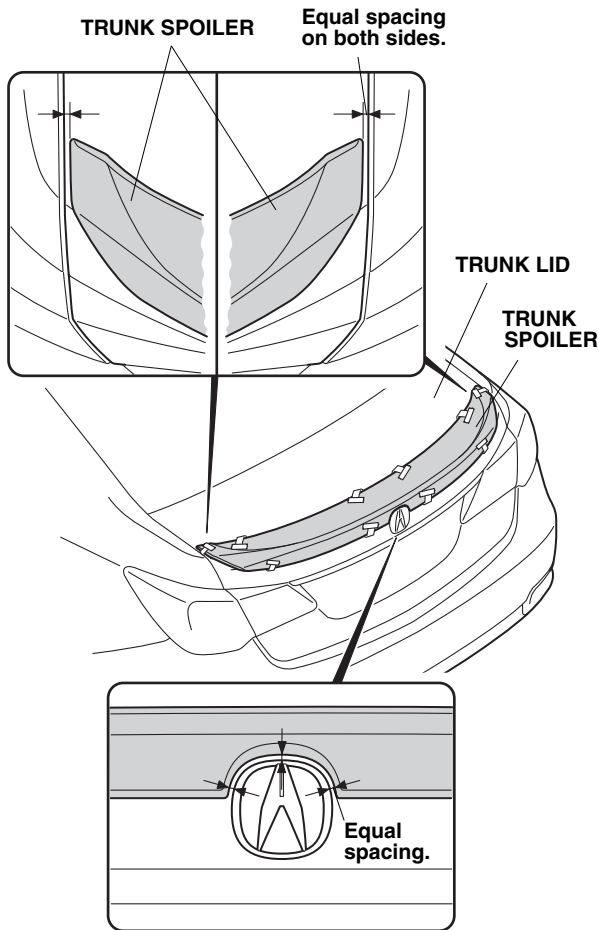
- Remove the two adhesive backings.

19. Install the trunk spoiler to the four holes of the trunk lid.



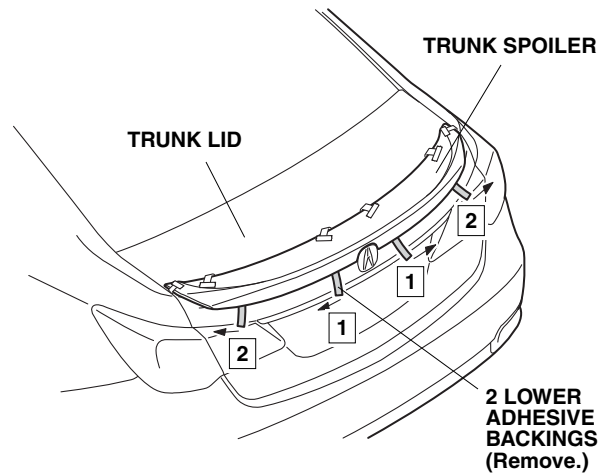
QB42701BK

20. Adjust the position of the trunk spoiler so there is equal spacing as shown.



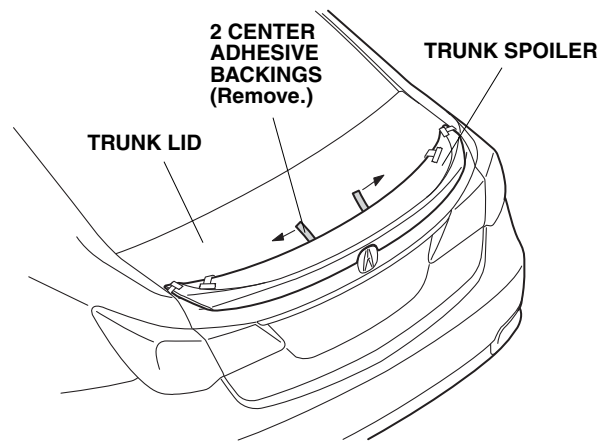
QB42702CK

21. While applying light pressure against the trunk spoiler, carefully remove the lower adhesive backings.



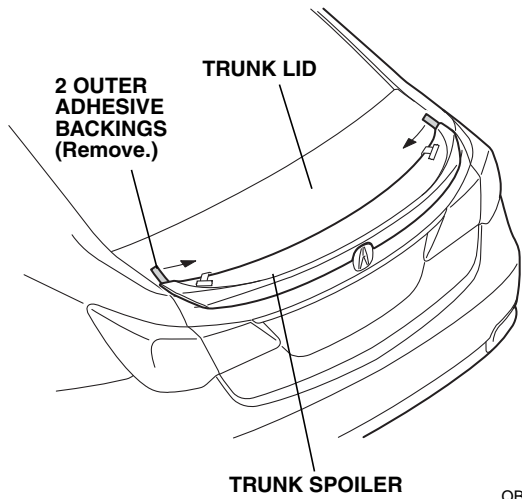
QB42703BK

22. While applying light pressure against the trunk spoiler, carefully remove the center adhesive backings.

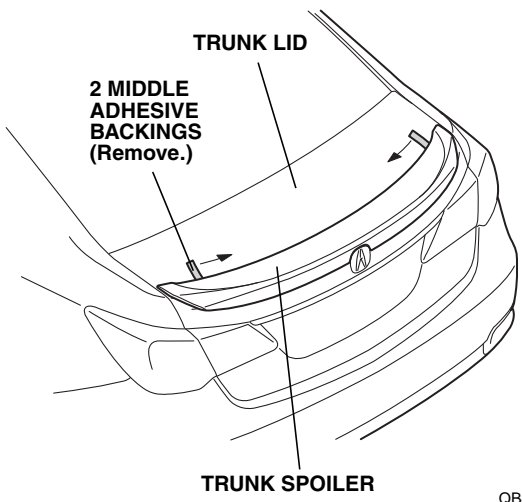


QB42704AK

23. While applying light pressure against the trunk spoiler, carefully remove the outer adhesive backings.

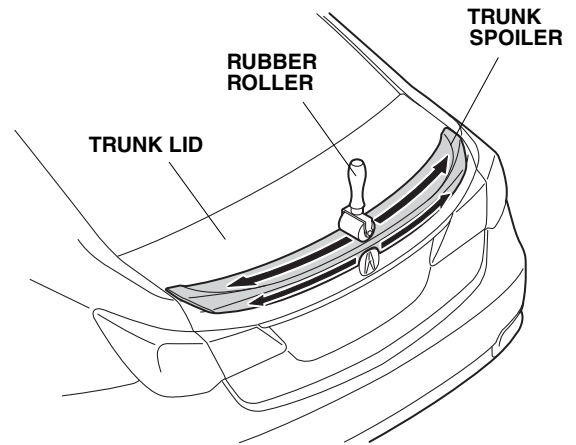


24. While applying light pressure against the trunk spoiler, carefully remove the middle adhesive backings.



25. Using your hand, firmly press the trunk spoiler against the trunk lid for 30 seconds.

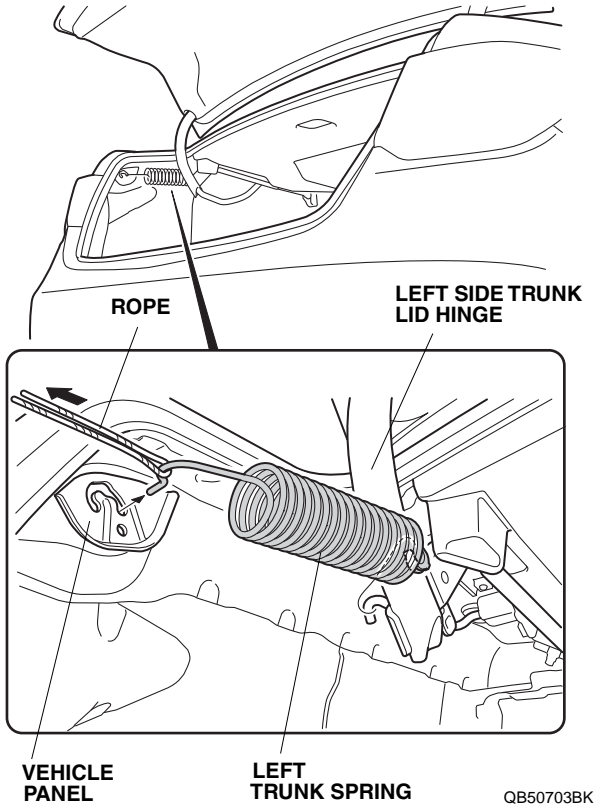
26. Using a rubber roller, apply firm pressure, especially at the ends, to set the adhesive.



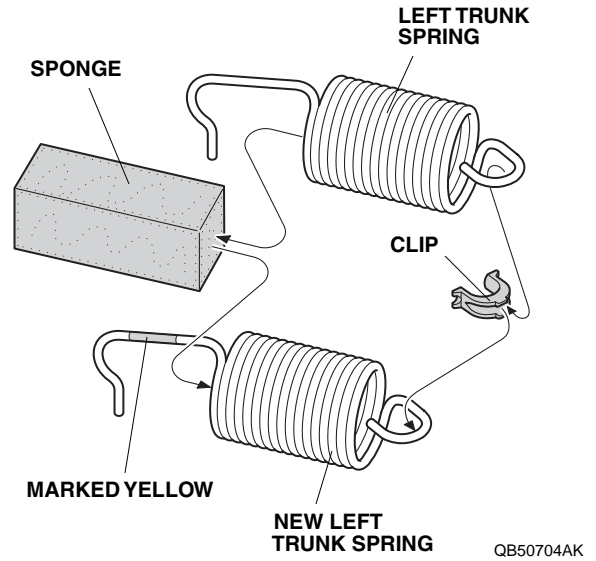
QB50702AK

- Open the trunk lid. Put on heavy gloves to protect your hands. With an assistant holding the trunk lid open, use a piece of rope to remove the left trunk spring as shown. Pull the rope slowly and carefully toward you.

NOTICE: The trunk lid may fall by its own weight when the trunk springs are removed, and can cause injury. When installing and removing the trunk springs, have an assistant hold the trunk lid open, or secure it open with a block of wood.

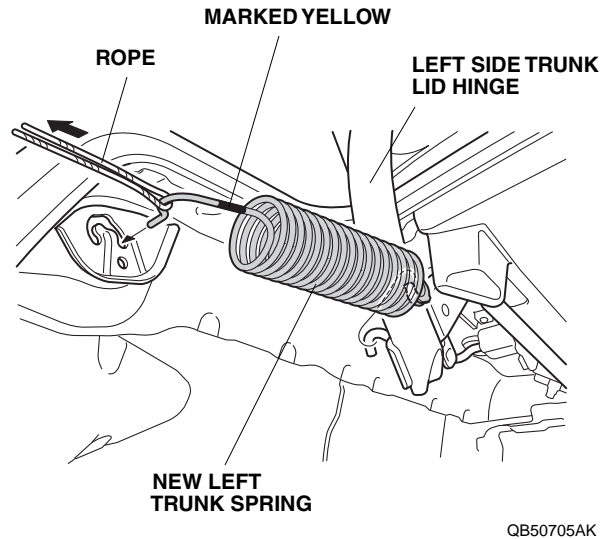


- Remove the sponge and clip from the left trunk spring. Attach the sponge and clip to the new left trunk spring (marked yellow) as shown.



- Install the new left trunk spring (marked yellow) in the reverse order of removal.

NOTICE: Be careful when installing the trunk spring as they could repel with strong force and can cause injury.



- Repeat steps 27 through 29 to install the new right trunk spring (marked red).
- Reinstall all removed parts.