



INSTALLATION INSTRUCTIONS

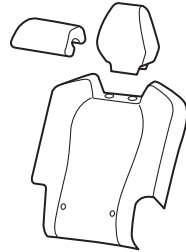
Accessory
2ND ROW SEAT COVERS
P/N 08P32-TZ5-200

Application
2014 MDX

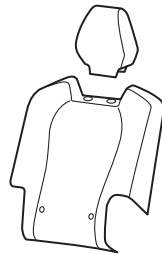
Publications No.
BII 48824-50276
Issue Date
AUGUST 2013

PARTS LIST

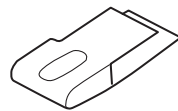
Left seat-back cover



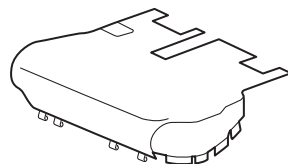
Right seat-back cover



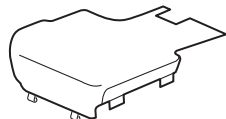
Armrest cover



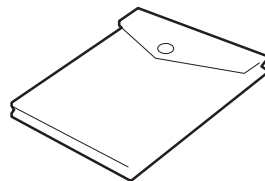
Left seat cushion cover



Right seat cushion cover



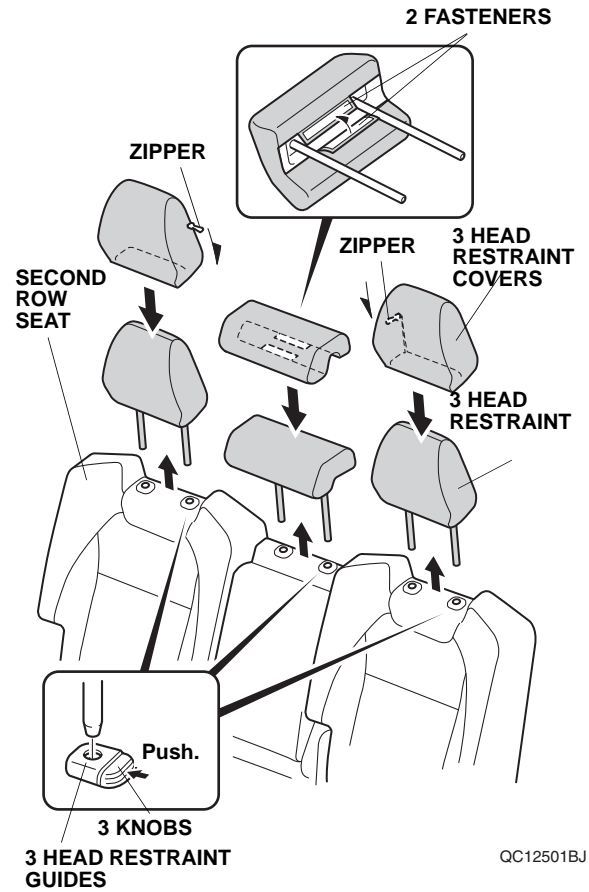
Bag



INSTALLATION

Installing the Head Restraint Covers

1. While pressing on each head restraint guide knob, remove the three head restraint by pulling them upward.

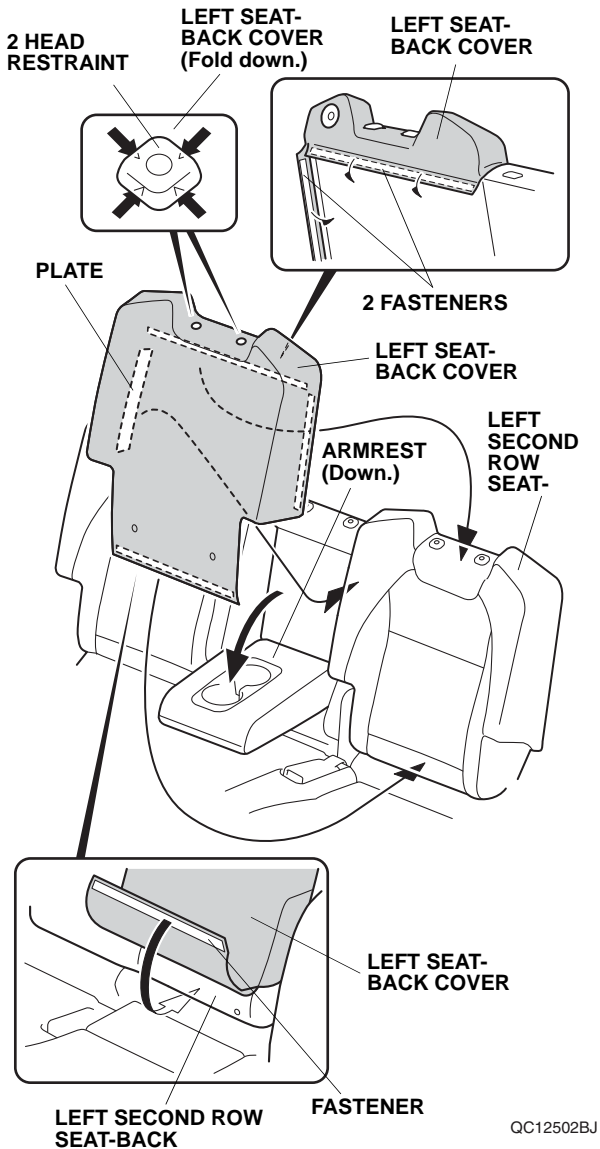


QC12501BJ

2. Fit three head restraint covers over the head restraint, and secure the fasteners and the zippers on the head restraint covers as shown.

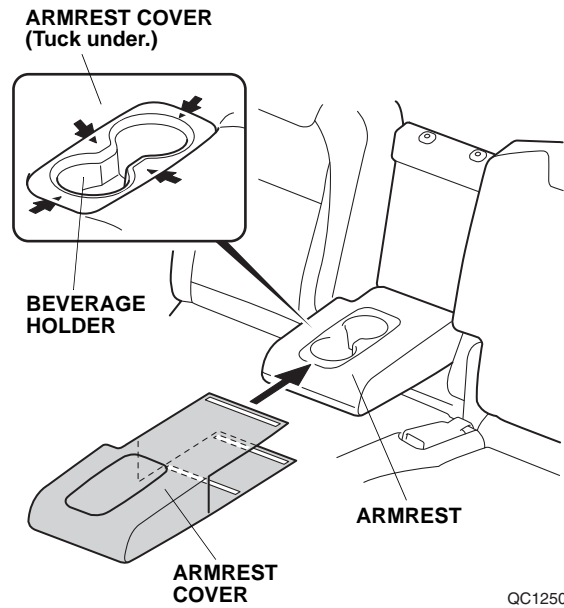
Installing the Left Seat-Back Cover

3. Fold down the second row seat armrest. Install the left seat-back cover to the left second row seat-back. Insert the left seat-back cover under each head restraint guide. Secure the fasteners to the left second row seat-back, and insert the plate into the left second row seat-back.

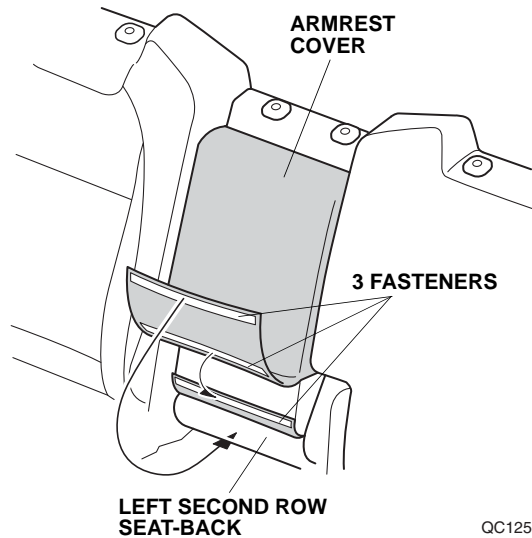


Installing the Armrest Cover

4. Install the armrest cover to the armrest. Tuck the armrest cover under the beverage holder.



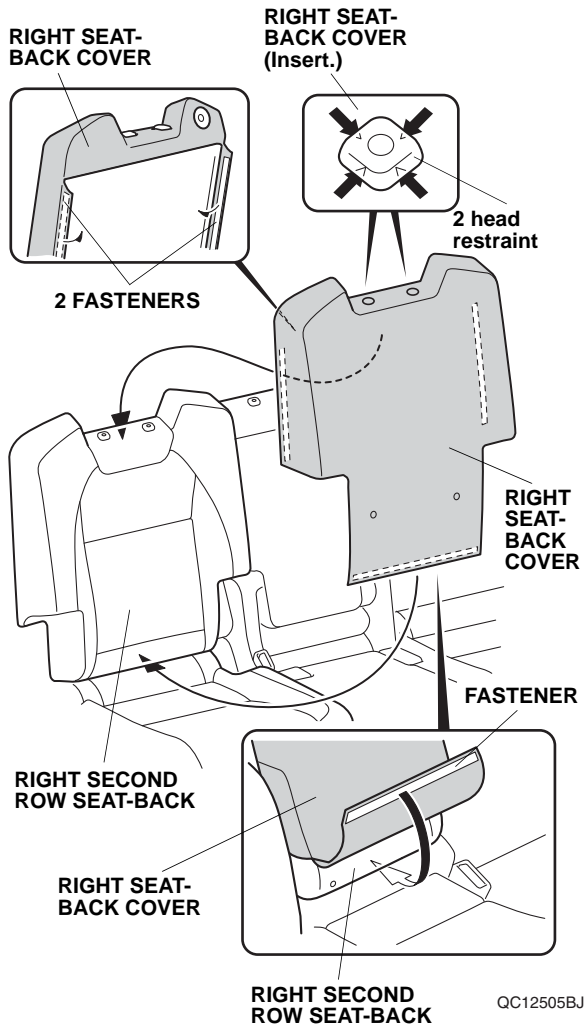
5. Raise the armrest. Pull the armrest cover between the armrest and left second row seat-back, and secure the fasteners on the armrest cover as shown.



6. Secure the fastener to the bottom of the left second row seat-back.

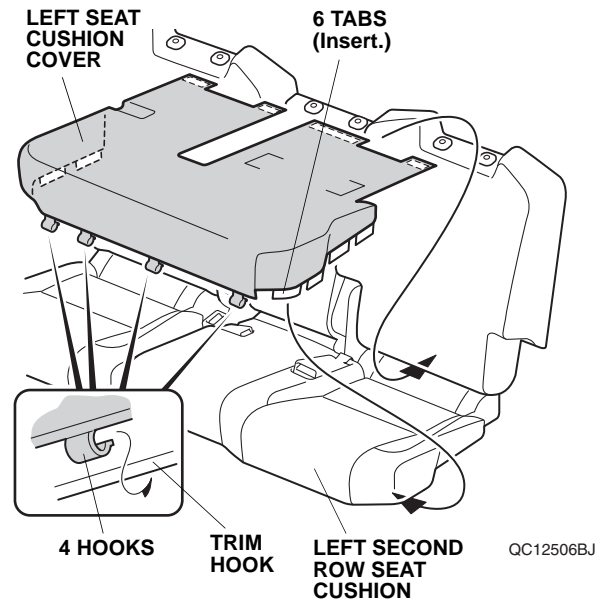
Installing the Right Seat-Back Cover

7. Install the right seat-back cover to the right second row seat-back. Insert the right seat-back cover under each head restraint guide. Secure the fasteners to the right second row seat-back.

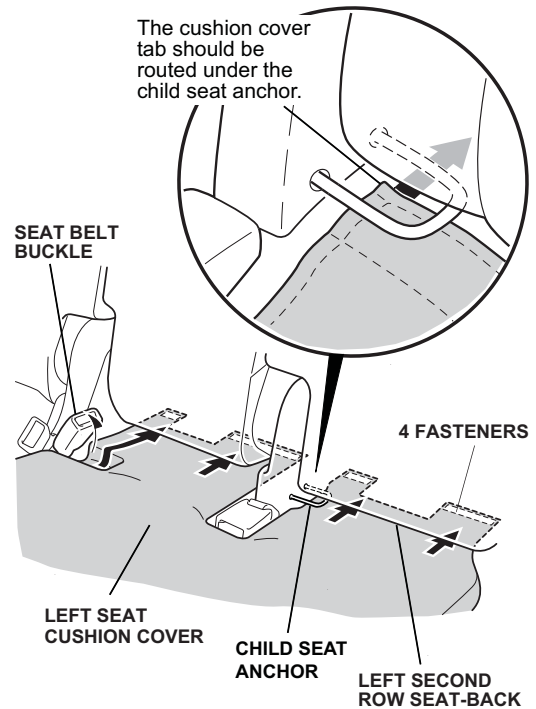


Installing the Left Seat Cushion Cover

8. Install the left seat cushion cover to the left second row seat cushion. Insert the six tabs under the left second row seat cushion. Attach four hooks to the trim hook of the left second row seat cushion.

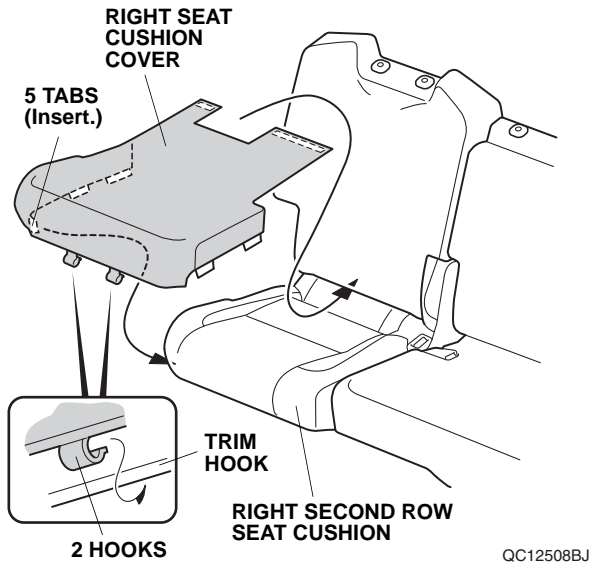


9. Set the left seat cushion cover under the seat belt buckle as shown. Insert the left seat cushion cover between the left second row seat-back and left second row seat cushion, and secure the fasteners to the left second row seat cushion.

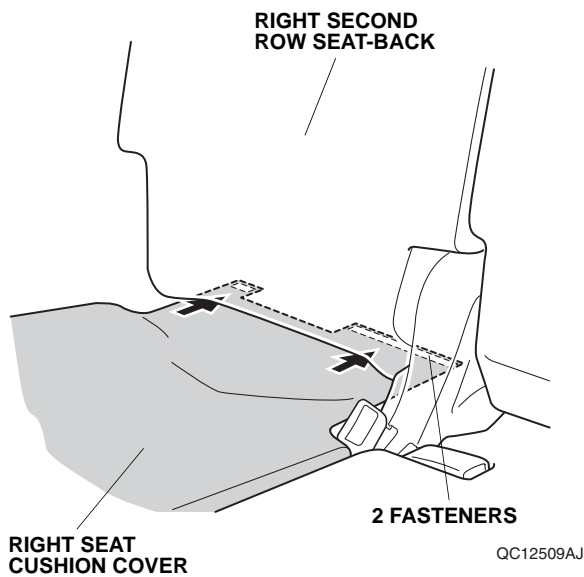


Installing the Right Seat Cushion Cover

10. Install the right seat cushion cover to the right second row seat cushion. Insert the five tabs under the right second row seat cushion. Attach two hooks to the trim hook of the right seat cushion cover.



11. Insert the right seat cushion cover between the right second row seat-back and right second row seat cushion, and secure the fasteners to the right second row seat cushion.



12. Reinstall the head restraint.